

I. DESCRIPTION

A. Adjustable fence

The unit consists of an adjustable fence mounted on a heavy-duty plunge router, and provides quick set-up and processing of a variety of door preparations or modifications.

B. Base plate face

Stamped on the face of the base plate are letters A and B, which identify two sets of holes. The fence (long angle) and the guard (short angle) use a combination of these holes to accomplish different tasks.

For RE-STYLING or RE-RAILING doors use the following combinations of holes A and B (I=inside and O=outside):

	Door Thickness = 1-3/8"	Door Thickness = 1-3/4"
Fence (Long Angle)	AI	AO
Guard (Short Angle)	BI	BI

For DOOR BOTTOM or LOCK PREP (centerline of cutter at the centerline of the door) use the following combinations of holes A and B (I=inside and O=outside):

	Door Thickness = 1-3/8"	Door Thickness = 1-3/4"
Fence (Long Angle)	BI	AI
Guard (Short Angle)	AI	BO

OPERATIONAL INSTRUCTIONS



The Stylizer is a multipurpose tool for repairing doors, re-railing doors, re-styling doors, automatic door bottom prep, and multipoint lock prep.

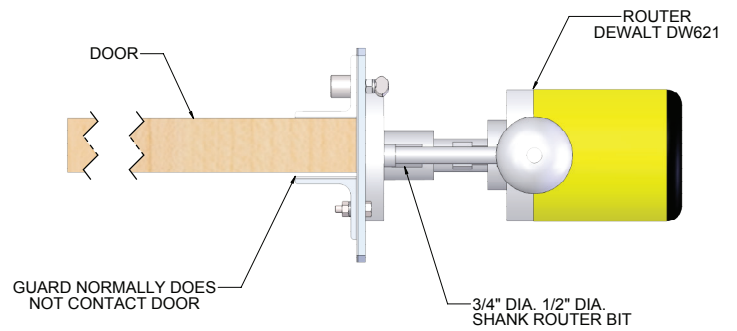
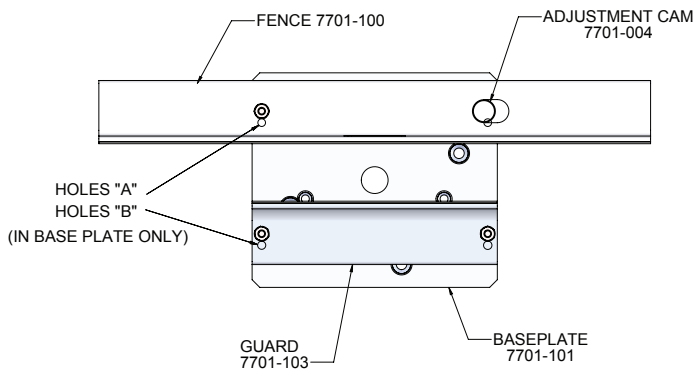
2. OPERATION

A. Re-styling and re-railing doors

- The router bit cut is made next to the skin on the opposite side of the door from the fence.
- Rotate the adjustment cam until the bit removes the style, rail or core and leaves just the skin (a few practice cuts should be made to develop a feel for the proper adjustment).
- Tighten the bolt securing the adjustment cam and the bolt securing the fence.
- Check the router depth adjustment.
- Place the Stylizer on the door edge with the adjustable fence (long angle) referenced against the door face (the guard does not normally touch the door).
- Route the Stylizer with the fence on the opposite side of the door from the operator in a right to left direction.
- After routing the full length of the door; switch sides to the opposite door face and route the remaining material.

B. Door bottom and lock prep

- The router bit cut is made at the centerline of the door.
- Rotate the adjustment cam until the distance between the fence and the bit is equal to $\frac{1}{2}$ door thickness minus $\frac{3}{8}$ ".
- Tighten the bolt securing the adjustment cam and the bolt securing the fence.
- Check the router depth adjustment.
- Place the Stylizer on the door edge with the adjustable fence (long angle) referenced against the door face (the guard does not normally touch the door).
- With the fence on the opposite side from the operator move the router from right to left, allowing the bit rotation to keep the fence tight against the door.



AS A REMINDER:

IMPORTANT SAFETY INSTRUCTIONS

WARNING: When using electric tools, basic precautions should be followed to reduce the risk of fire, electric shock and personal injury.

READ & FOLLOW ALL INSTRUCTIONS: This tool was designed for specific applications. Norfield Industries strongly recommends that this tool NOT be modified and/or used for applications other than those for which it was designed.

If you have any questions about additional applications or uses, DO NOT attempt those uses or modifications until you have been advised by a qualified Norfield Representative. Any and all modifications to or misuses of the tool will void all warranties.

A. Avoid dangerous environments

Do not expose equipment to rain or use in damp conditions.
Do not use tool in presence of flammable liquids or gases.

B. Dress properly

Do not wear loose clothing or jewelry. Loose clothing, drawstrings and jewelry can be caught in moving parts. Wear protective hair covering to contain long hair.

C. ALWAYS use safety glasses

D. Maintain machine tools properly

Keep cutters sharp and clean for better and safer performance.
Always use correct-size cutters.
Inspect all electrical cords periodically and replace if damaged.

E. Disconnect electrical supply cord

Always disconnect cord before servicing, cleaning, changing cutters or adding accessories.

F. Stay alert

Watch what you are doing. Use common sense. Do not operate equipment when you are tired or under the influence of medication, alcohol or drugs.

SAVE THESE INSTRUCTIONS