

Norfield

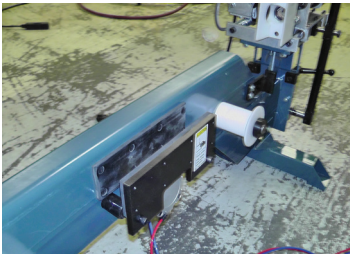


norfield.com

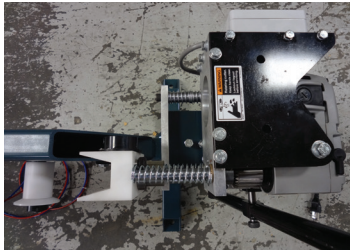
1-800-824-6242

BALL CATCH MACHINE

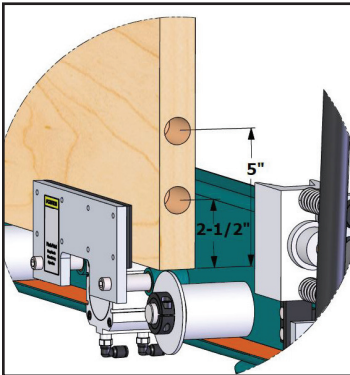
BALLCATCH DRILLING MADE FAST, SAFE, & CONSISTENT



Pneumatic door clamping secures door for precision drilling.



Self-centering mechanism enables drilling 1-3/8" to 1-3/4" thick doors with out any adjustments.

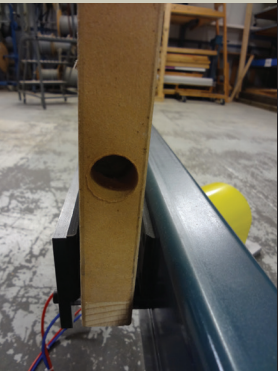


Quick change adjustment for drilling 2-1/2" to 5" from door edge.



7756-800



process	specs	features	options
	Door width 1'0" to 4'0" Door Height 2'0" to 9'0" Door thickness 1-3/8" to 1-3/4" Ball catch drill diameter 3/4", 7/8", 15/16", 1" (Includes one bit) Electrical 115V 60hz @20 Amps Pneumatic less than 1.0CFM Floor space req. (min) 3'x8' Shipping Wt. 300lbs. Vacuum connection 2"	<ul style="list-style-type: none"> Quick change adjustment for drilling 2-1/2" to 5" from door edge Pneumatic door clamping with foot pedal Self centering drill guide (1-3/8" to 1-3/4" door thickness) 	<ul style="list-style-type: none"> 650 CFM Vacuum

Throughput Rate

1-2
Doors/minute

