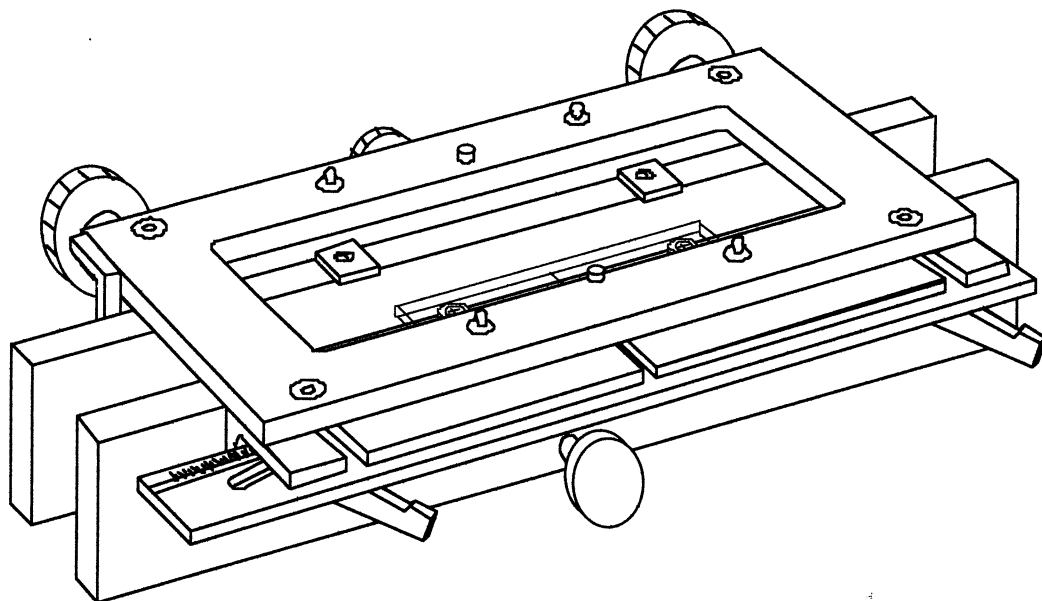




RTS-4 INSTRUCTIONS

Thank you for purchasing the DoorTech *RTS-4*. You can now machine for hinges, strike plates, flushbolts, pivot hinges, latch mortises, and any other mortise on the edge of a door. Each mortise pattern has its own precisely machined and clearly labeled template. The templates locate accurately on the *RTS-4* with a quick snap in action. The phenolic templates will not wear out, and can be stored neatly. Small size and compact templates make the *RTS-4* the right choice on the job site as well as in the shop.

The *RTS-4* is a precision tool. To get the most out of it, *please read these instructions fully before use. Do not over tighten the knobs on the RTS-4. Overtightening may cause misalignment of the template on the door and, over time, will damage the screw threads.*

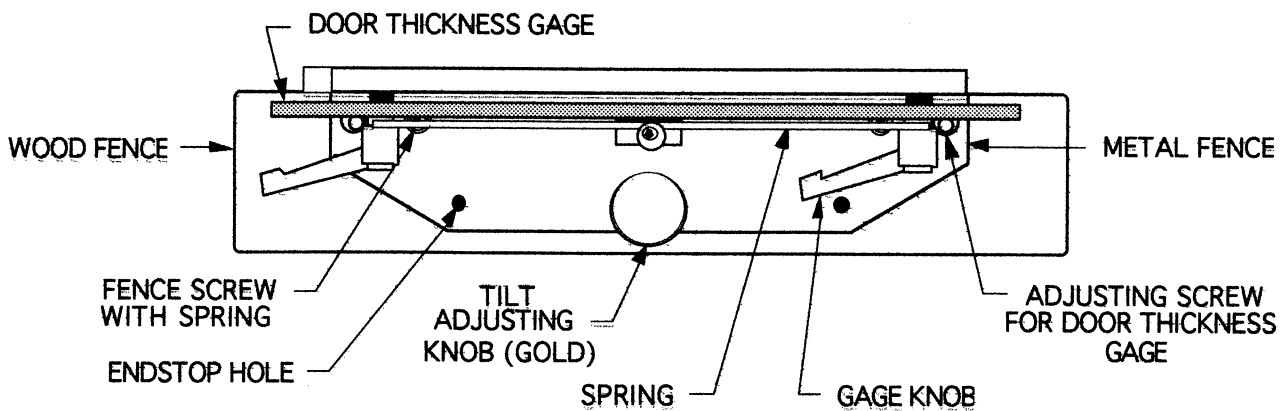
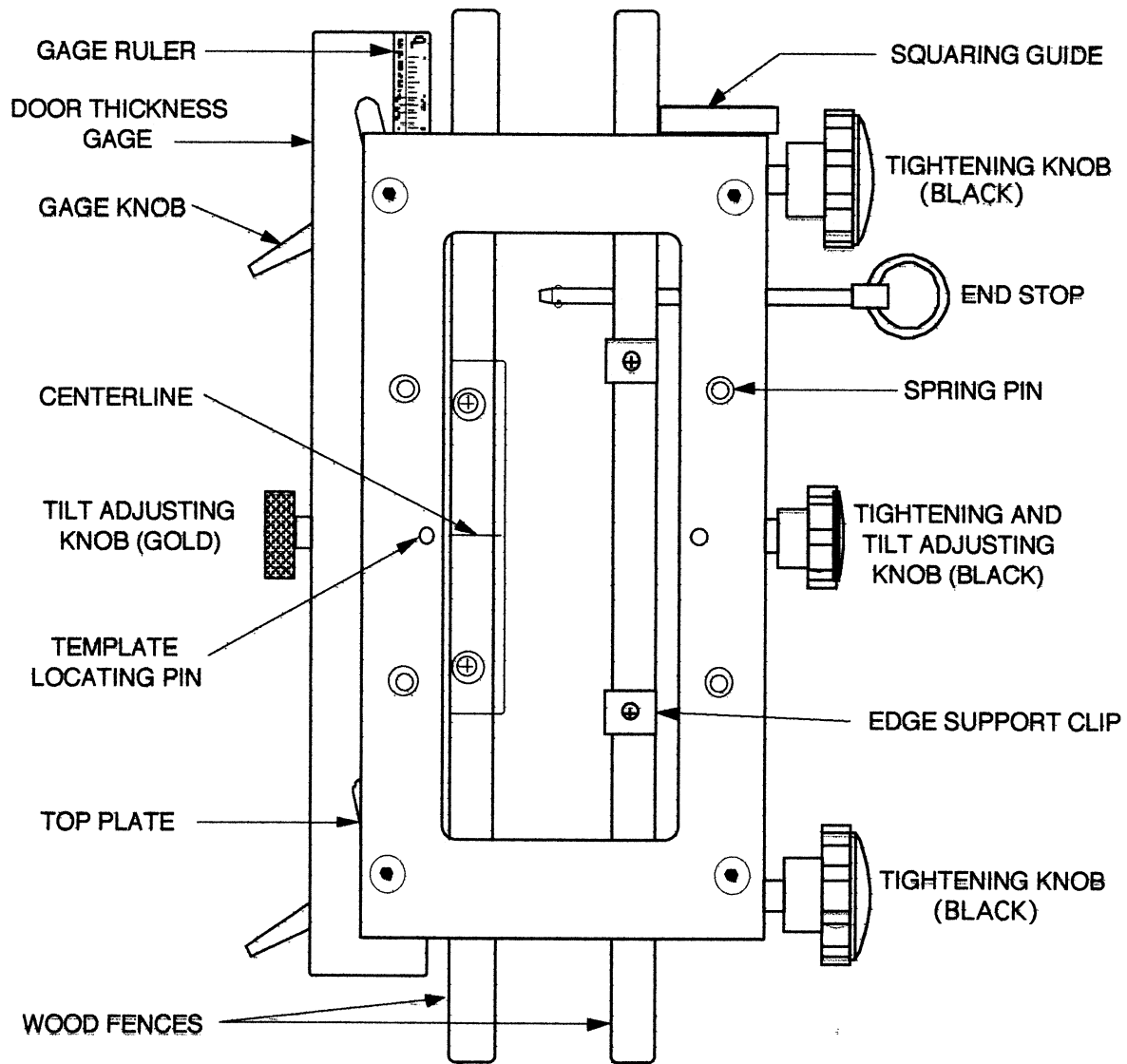


CONTENTS

<i>RTS-4</i> Base Unit Parts	2
<i>RTS-4</i> Tool Requirements	3
Template Labels	4
Templates and Automatic Depth Control	4
Template Dimensions	5
Routing Square on a Beveled Edge	5
Base Tilt Adjustment	6
Using the endstop	6
Putting Templates On and Off	7
Setting the Router Depth of Cut	7
Routing the Wood Fence of the <i>RTS-4</i>	7
Step by Step Instructions for Use.....	7
Problem Solving tips	9
Appendix Calibration of the door thickness gage	11

GAGE SIDE

FREE SIDE



RTS-4 TOOL REQUIREMENTS

The *RTS-4* uses 2 standard styles of templates and requires 2 standard router setups, the *1:1* Router and the Plunge Router. The DoorTech part numbers for router guide bushings and cutters are listed below.

1:1 Router (Porter Cable 6902 or equivalent) equipped with:

3/4" Dia. x 3/8" Guide Bushing DT-G34P
3/4" Dia. Carbide Cutter DT-B750
1/2" Dia. x 2-3/8" Arbor DT-80SAF

Plunge Router (Elu 3337 or 3338 or equivalent) equipped with:

13/16" Dia. Guide Bushing DT-G1316P
1/2" Dia. x 4 1/2" Twin flute carbide router bit DT-B500

Figure 2 illustrates the router guide bushing and cutter setups. The *1:1* Router is so named because that is the ratio of the diameter of the guide bushing to the diameter of the cutter. The *1:1* Router allows you to cut square outside corners in a single pass, as shown at the bottom of figure 2.

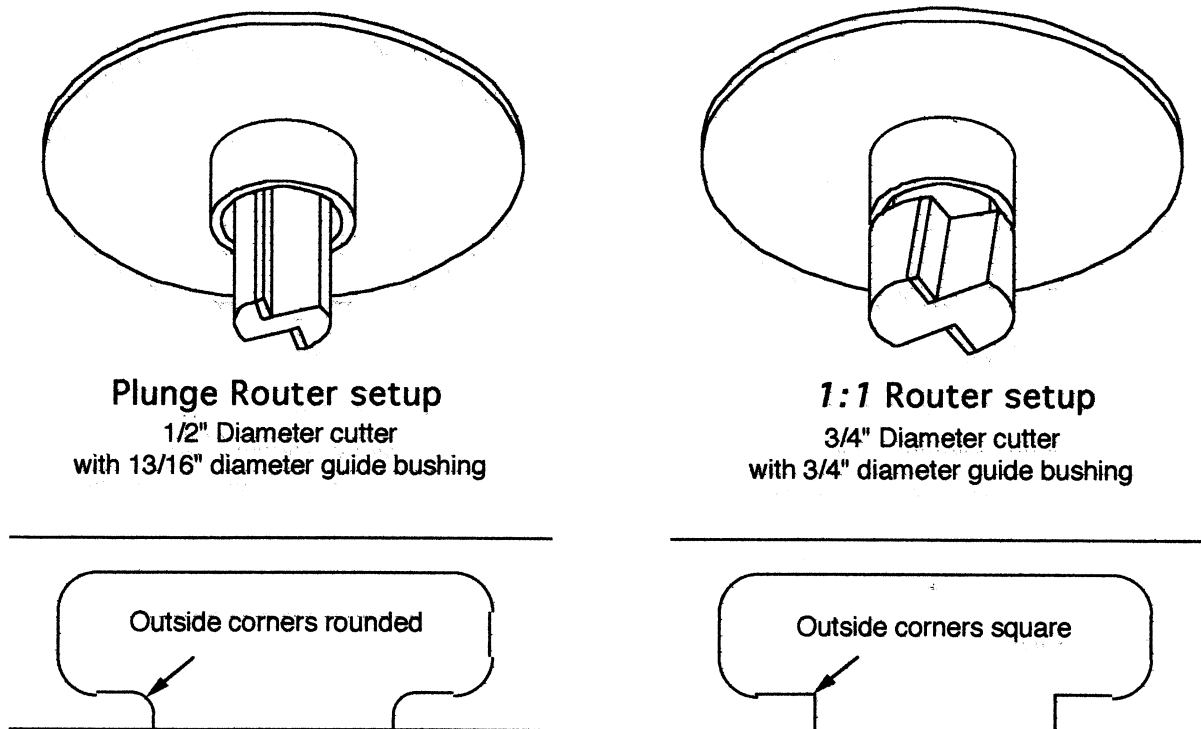


Figure 2. Comparison of plunge router and 1:1 router setups and cuts.

TEMPLATE LABELS

Each template has a label, figure 3, with the following information:

- 1 Number The *DoorTech* Template number
- 2 Depth The depth of cut
- 3 Name A descriptive title
- 4 Size Width and length of the mortise
- 5 Orientation END with arrow pointing toward the corner of the door
 CENTER with arrow pointing toward a centerline you must mark on the door
 TOP with arrow pointing toward the top of the door
- 6 Ruler type Templates with a ruler identifier are placed on the *RTS-4* with the ruler arrow pointing to the door thickness gage. The ruler on the template indicates which scale to use on the door thickness gage ruler, and may also indicate the gage ruler setting to be used.
- 7 **Route square on beveled edge** Described on page 5.

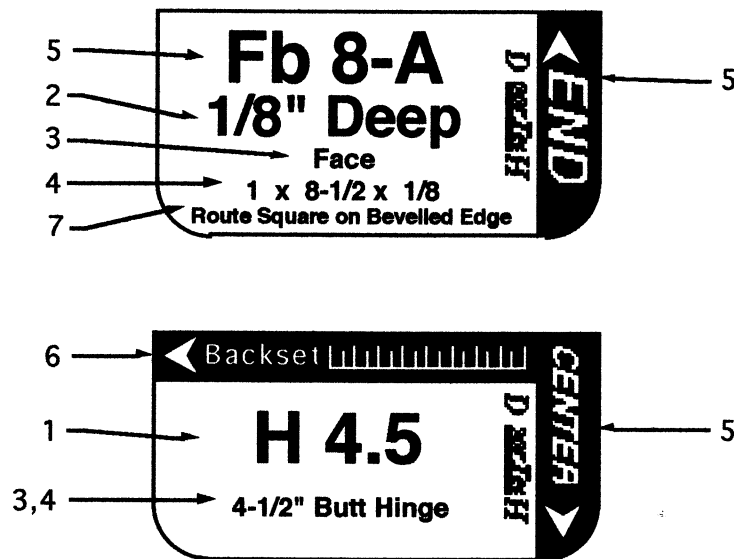


Figure 3. Template Labels

TEMPLATES AND AUTOMATIC DEPTH CONTROL

DoorTech templates for use with the **1:1** Router are identified with the **1:1** label, figure 4. The **1:1** templates are used for mortises up to $7/32$ " deep. The thickness of the **1:1** templates sets the depth of cut, so that the depth setting on the **1:1** Router need be set only once. This is DoorTech's Automatic Depth Control. Templates without the **1:1** label are used only with the plunge router.



Figure 4. 1:1 Label

TEMPLATE DIMENSIONS

The actual sizes of some templates differ from those stated on the template label as follows:

- Some plunge router templates are made a fraction narrower because plunge routers tend to cut a little oversize on deep cuts.
- Most cast pivot hardware differs from the nominal dimensions, and templates are patterned on actual hardware samples whenever possible. The dimensions on the labels are those shown on the manufacturer's template drawings.
- Top and bottom pivot templates are cut 1/32" longer than nominal at each end to give the installer some adjustment room.

ROUTING SQUARE ON BEVELED EDGE

Some mortises, such as the face mortises on an corner mounted flush bolt, are routed square into a beveled edge as shown in figure 5. Templates intended for this use have "**route square on beveled edge**" written on the label, figure 3. The depth of cut is measured from the centerline of the door edge. **1:1** templates have their thickness adjusted so that the **1:1** Router will cut the stated depth when the base unit is set on a 1-3/4" thick door with a 3 degree bevel. The depth of cut for the plunge router must also be set from the door centerline. The squaring guide, figure 6, is used to ensure that the base unit is square to the door faces.

A mortise cut square on a beveled edge is 1/16" deeper than nominal.

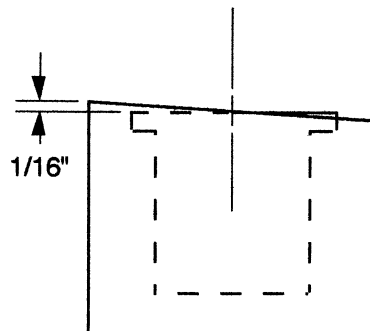


Figure 5. Routing square on a beveled edge. The depth of cut is measured from the centerline of the door.

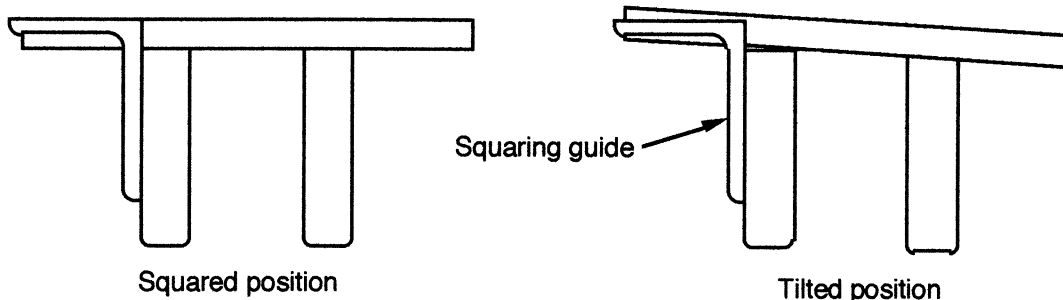


Figure 6. The squaring guide is used to set the base unit square to the door face when the door edge is beveled.

BASE TILT ADJUSTMENT

The *RTS-4* base is designed to tilt so that it may lay flat against either a square or beveled door edge. The brass colored knob in the center of the gage side sets the base tilt. The gage side of the base always goes on the inside, or narrow, face of the door. The following steps describe how to adjust the tilt.

- (1) Set the door thickness gage and tighten the two gage knobs (green handles). Place the *RTS-4* on the edge of the door.
- (2) Snug up the three black knobs. Look at where the base unit's top plate sits in relation to the **squaring guide**.
- (3) Back off the two large black knobs until the tilt of the base can be adjusted easily with the two center knobs.
- (4) Adjust the 2 center knobs until the base has the desired tilt. Tighten the 3 black knobs in the following **standard sequence**:

- Standard sequence**
- 1) Tighten all 3 black knobs lightly.
 - 2) Tighten the 2 large black knobs fully.
 - 3) Tighten the small black knob fully.

***Do not overtighten.** Overtightening causes misalignment of templates, incorrect base tilt, and damages the threads.* Tightening in the standard sequence helps ensure consistently accurate mortise location on the door as well as consistent base tilt without having to readjust the gold colored tilt adjustment knob.

- (5) Repeat steps (3) and (4) until the base has the desired tilt after all 3 black knobs have been tightened in the standard sequence.

If the base is overhanging the end of the door, tighten the knob on the overhanging end less than normal.

USING THE END STOP

The end stop positions the *RTS-4* base unit when using templates that are located at the END of the door (See Template Labels section above). Insert the end stop at one end of the base, and fully through both fences. Place the base on the door overhanging the door end. *For hardware that wraps around the corner of the door, keep the gage side of the base on the inside, or narrow, face of the door.* Slide the base until the end stop is tight against the door edge. The overhanging end of the base is now supported by the two edge support clips and the centerline (see Figure 1).

Adjust and tighten the base in the standard sequence described above. The large black knob on the overhanging end should be tightened less than the others. *If there is a deep mortise being routed through the end of the door (like the pocket of an automatic flush bolt), back off the large knob on the overhanging end of the base until it just lightly secures the fences against the door.* Normal tightening pressure pushes the door faces together as the core is removed, and causes the mortise to be routed too wide

PUTTING TEMPLATES ON AND OFF

Set the template loosely over the locating pins. Press the template evenly downward with both hands or slap it evenly down with your palm. It should rest fully against the surface of the base unit.

To remove the template, hold down an end of the template that is at least 3" away from the center locating pins and lift evenly from the opposite end. Do not lift from the side. The phenolic material is very strong and should last indefinitely, but it is not as strong as the hardened steel locating pins. If the templates are lifted off with a strong tilt, the pins will deform the locating holes.

SETTING THE ROUTER DEPTH OF CUT

You must read through the sections on setting up the base unit and using templates before setting the cutting depths of the routers.

To set the depth of cut on the *1:1* Router, place the *RTS-4* base on a practice door and adjust it so that the top plate fully contacts the door edge. Choose a *1:1* template that does NOT have "*route square on beveled edge*" written on the label. Place the template in the base and adjust the depth of cut of the router until it matches the depth stated on the label.

The plunge router is used on all templates that do not have the *1:1* label. The template label specifies the depth of cut except when the depth varies for different applications. Follow the instructions for setting depth of cut provided by the manufacturer of your particular plunge router. When setting the router depth for a mortise that sits square on a beveled edge (such as an automatic flush bolt pocket) measure the depth from the centerline of the door edge, figure 5.

ROUTING INTO THE WOOD FENCE OF THE *RTS-4*

Hardware such as lipped strikes, leaf hinges and offset pivot hinges require that the mortise in the door edge extend through the face of the door. It is unavoidable that one of the wood fences on the *RTS-4* must also be routed into. The gage side fence holds the center line, and should not be routed into. Only the free side fence should be routed into. The utility of the *RTS-4* is not affected unless the edge support tabs cannot be reattached.

The gage side of the *RTS-4* goes on the narrow face of the door. The narrow face is the face against the door stops, and away from the hinge knuckles.

STEP BY STEP INSTRUCTIONS FOR USE

Step 1. Set the door thickness gage

Place the *RTS-4* on a table with the gage side facing you. Loosen the 2 gage knobs (green). Slide the gage all the way to the left (maximum opening), and then slide it in until the desired dimension on the ruler aligns with the edge of the tool. Tighten the 2 gage knobs; over-tightening is not required.

Step 2. Adjust the base tilt (described on page 6).

Step 3. Position the base on the door

Place the *RTS-4* on the door with the gage side on the narrow face of the door.

For hardware which locates to a center line, mark the center line of the hardware on the door edge and square across. Align the base unit's center line with your mark.

For hardware which locates to a door corner, use the end stop. Be sure that the base unit is supported on the door edge by the metal support clips and/or the plastic centerline, and that the end stop is tight against the door.

Step 4. Adjust the base tilt and tighten the base on the door

Adjusting the tilt is described on page 6. Be sure that the gage knobs are tightened first. Tighten the 3 black knobs lightly. Check that the edge support clips and the centerline are on the door edge, and not pressing against the door face. Now tighten the 2 large black knobs and then the small black knob. *DO NOT OVER TIGHTEN*. Over tightening causes misalignment and premature wear of the clamp screws.

CAUTIONS:

- a) *If a deep cut will be made through the end of the door, then the large knob on the overhanging end should be tightened only until the base is just snug against the door and no more.*
- b) *Do not loosen the gage knobs while the black knobs are tightened.*
- c) *Do not tighten the black knobs while the gage knobs are loose.*

Step 4. Select the correct template and orient it on the *RTS-4*.

Check all of the label information. Make a test cut if unsure. A label marked "CENTER" has an arrow pointing towards the *RTS-4* center line. A label marked "END" has an arrow pointing towards the *RTS-4* endstop. A label marked "TOP" or "BOTTOM" has an arrow pointing towards the top or bottom of the door. A label with a ruler icon has an arrow pointing toward the door thickness gage. Orient templates with cuts through the face of the door such that the router will cut into the wood fence of the *RTS-4* on the free side of the tool.

Step 4. Snap in the template

Follow the instructions on page 4 for locating and removing templates. Do not allow dust to collect and remain under the template because it will affect the depth of cut.

Step 5. Route

Step 6. Lift off the template

Follow the instructions on page 4 for locating and removing templates. If more than one template is required at a single location, leave the base unit clamped in position while switching the templates.

Long Mortises

Very long mortises may require that the *RTS-4* be moved along the door. It is convenient to make a mark on the door edge measured from the end of the *RTS-4* top plate, and move the *RTS-4* until the top plate aligns with the mark. The distance of the mark from the end of the top plate is the same as the distance that the template is required to move.

PROBLEM SOLVING TIPS

<u>Problem</u>	<u>Reason</u>	<u>Solution</u>
Mortise too large	Router guide collar loose	Tighten the guide collar.
	Guide collar too small or router bit too large	Replace the guide collar or the router bit.
	Base not clamped or clamps not adjusted tight enough	Tighten the base knobs and readjust if needed.
	Bit not set deep enough into router	Use a longer bit
	Router guides or bearings worn	Rebuild or replace the router.
Mortise too small	Bit made smaller by sharpening	If bit is slightly off-center in the collar, try repeated routing after rotating the router base. Otherwise, replace the bit.
1:1 Router cut not aligned with plunge cut	Bits are not on center within guides (This is very common)	Determine the orientations for both routers in which their cuts will coincide. Mark the router <u>bases</u> appropriately.
Mortise too deep	Incorrect template	Be sure correct depth is printed on the template label.
	Bit not adjusted or slipped down	Tighten the bit and readjust depth.
	Edge support clip missing, loose or not resting on highest face of the door edge	If using the end-stop, be sure edge support clips are firmly attached to the wood fence and are resting on the highest face of the door edge.
	Plastic centerline	If using the end-stop, be sure the plastic centerline is firmly attached to the wood fence.
Mortise is 1/16" too deep on Flush bolt faces	Flush bolt faces for FB356, FB556, FB8 and others cut 1/16" deeper than stated if used on a square edge door.	Set the base square and put on a beveled edge and the cut will <u>average</u> the stated depth. Look for the phrase "Route square on beveled edge" on the label. If the door edge is square, shim under the template or the router. Templates correctly thickened for square edged doors can be special ordered.

<u>Problem</u>	<u>Reason</u>	<u>Solution</u>
Mortise too shallow	Base not well seated on door edge	Loosen knobs and press down on base while tightening.
	Dust between base and door edge	Loosen knobs, blow out and re-tighten.
	Dust between template and base	Remove template and blow out the dust.
Mortise not centered on edge of door	Door thickness gage not set correctly	Measure the door thickness carefully, use the correct gage ruler
	Door thickness gage out of adjustment.	Adjust the door thickness gage adjustment screws.
	Router bit not centered in the router guide bushing	Rotate the router base until the bit is centered in the guide bushing as measured across the thickness of the door. Then mark the router base with an arrow pointing to the gage side. Always use the router in this orientation on the <i>RTS-4</i> base.
	Gage knobs loose or tightened after black knobs	Repeat steps 1 and 2 of the Step by step instructions on page 6.
	Tightening knobs (black) too tight	Loosen the black knobs. Over tightening is not necessary and may damage the <i>RTS-4</i> .
Edge and end cuts don't align	Door thickness gage not set correctly	Be sure that the same side of the base stays on the same side of the door when you move the base from edge to end. You must move the end stop to the opposite end of the base.

APPENDIX

CALIBRATION OF THE DOOR THICKNESS GAGE

Two adjusting screws are used to calibrate the door thickness gage for dimension and to bring the *RTS-4* base parallel with the door. To adjust the screws, remove the 2 fence screws with springs that hold the wood fence on the gage side, figure A1. Removing the wood fence reveals the locknuts on the 2 adjustment screws. Remove both lock nuts and replace the wood fence and the 2 fence screws with springs.

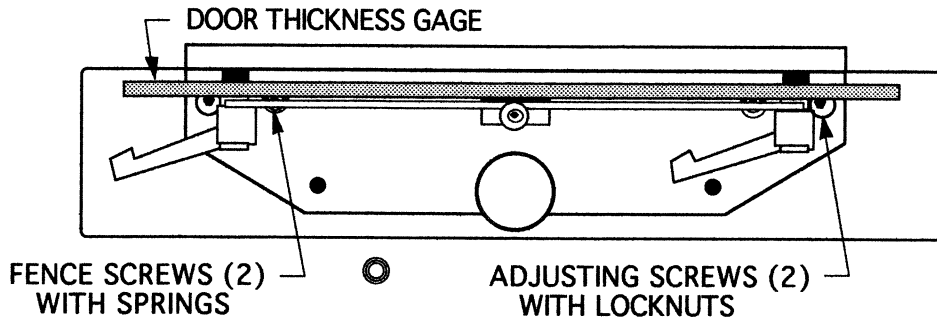


Figure A1. Fence screws and adjusting screws for adjusting the door thickness gage.

Adjust the base unit tilt so that the wood fence is set as for a square edged door, work face square with the top plate. Set the door thickness gage to 1-3/4", figure A2, following the instructions in step 1 of the step by step instructions on page 7. Loosen the green knobs slightly, and turn the adjusting screws as necessary using the 3/16" hex wrench provided. Adjust the screws until the dimension (a) is exactly 1-1/8" (1.125"), or until a 1" wide centered mortise cut into a sample door edge is spaced exactly 3/8" (0.375") from the gage-side of the base unit after the green knobs are retightened. Repeat this procedure until the measurements are exactly correct at both ends of the base unit.

After the 2 adjusting screws are adjusted, remove the wood fence and replace the locknuts. Use the 3/16" hex wrench to keep the screws from turning while tightening the lock nuts. Replace the wood fence. Make sure that the 2 screws holding the fence do not protrude past the working surface of the fence, so that they will not mar the door. Verify the adjustment after the fence is replaced.

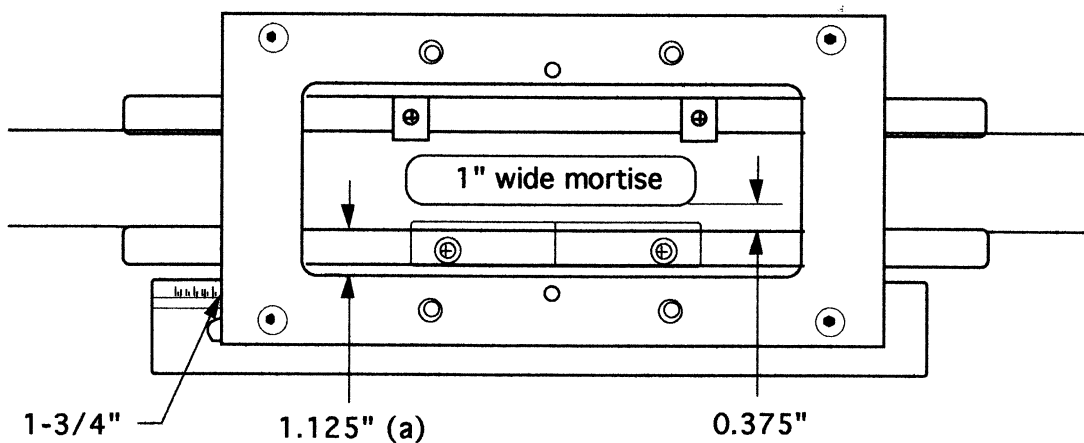


Figure A2. Calibration dimensions for the door thickness gage.

RTS-4 TEMPLATES

Index by Manufacturer's Template Number

ARROW

Mfr. Template No. and Date	Device	Type	DoorTech No.	Comments
1117 A	A 5-90	BX70 BX10, BX96	N-S481 N-S381	Strike Box
1117A	A-11-89	306, 356, 360, 362, 366 Strikes	N-S403	
1118A	A 11-89	BX10 BX70	N-S381 N-S481	Strike Box Strike Box
1125A	A 5-90	BX96	N-S381	Strike Box
1127A	A 11-89	BX83	N-L411 N-S383	Strike Box

BALDWIN

Mfr. Template No. and Date	Device	Type	DoorTech No.	Comments
A252		FLUSH BOLT	N-FB560	

BUILDERS BRASSWORKS

Mfr. Template No. and Date	Device	Type	DoorTech No.	Comments
15-338	10-11-89	1194	N-RL32	Use with N-C 1"

DOOR CONTROLS

Mfr. Template No. and Date	Device	Type	DoorTech No.	Comments
840-842NH-80		FLUSH BOLT	N-FB7	
T-780	n.d.	FLUSH BOLT	N-FB458	
T-790	n.d.	FLUSH BOLT	N-FB358	
T-840		FLUSH BOLT	N-FB7	
T-905		FLUSH BOLT	N-FB940	
T-940	n.d.	FLUSH BOLT	N-FB940	

DOUBLE LATCH CO.

Mfr. Template No. and Date	Device	Type	DoorTech No.	Comments
70-1	Jan 5 1970	STRIKE	N-S383	

FALCON

Mfr. Template No. and Date	Device	Type	DoorTech No.	Comments
035360	01-01-90	LATCH MORTISE	N-L414	K-900 Series Mortise Locks

GLYNN JOHNSON

Mfr. Template No. and Date	Device	Type	DoorTech No.	Comments
829010-00(0)	10-1-93	SK 1152B	N-RL34	
829011-00(0)	10-1-93	GJ 30	N-RL31	

RTS-4 TEMPLATES

Index by Manufacturer's Template Number

829118-00(1)	10-1-93	FB6	FLUSH BOLT	N-FB458
829119-00(1)		FB6W	FLUSH BOLT	N-FB358
829153-00(0)	10-1-93	GJ 36 & 38	ROLLER LATCH	N-RL36
829154-00(0)	10-1-93	GJ 32	ROLLER LATCH	N-RL32
829368-00(0)	7-1-97	FB7	FLUSH BOLT	N-FB7
829369-00(0)	7-1-97	FB8	FLUSH BOLT	N-FB8
		FB41PR	FLUSH BOLT	N-FB940
829369-00(1)		FB41	FLUSH BOLT	N-FB940
FB 10	9-7-82	FB10	FLUSH BOLT	N-FB940

H. SOSS

Mfr. Template No. and Date	Device	Type	DoorTech No.	Comments
212	3/3/88	HINGE	N-H212	Drwg no. 3951
216	3/3/88	HINGE	N-H216	Drwg no. 3952
218	3/3/88	HINGE	N-H218	Drwg no. 3964
220	3/3/88	HINGE	N-H220	Drwg no. 3953
418	3/1/90	H 418	HINGE	Drwg no. 4162

HAGER

Mfr. Template No. and Date	Device	Type	DoorTech No.	Comments
940-942NH-80		FLUSH BOLT	N-FB940	
T-282D Rev.'93	(6-16-93)	FLUSH BOLT	N-FB282	
T-283D Rev.'93		FLUSH BOLT	N-FB283	Use with 8-11-93 Revision
		FLUSH BOLT	N-FB284	Use with 9-13-93 Revision
		FLUSH BOLT	N-FB284	Use with 11-2-93 Revision
T-291S Rev.'93		FLUSH BOLT	N-FB 291	
T-294S Rev.95	(6-23-95)	FLUSH BOLT	N-FB945	
T348	4-29-91	ROLLER LATCHES	N-RL31	

IVES

Mfr. Template No. and Date	Device	Type	DoorTech No.	Comments
230B	10-18-50	EDGE PULL	N-EP230	
333,335	8-8-58	Roller Catch	STRIKE	N-S281
334, 336	12-8-59	Roller Catch	STRIKE	N-S202
334,336	12-8-59	Roller Catch	STRIKE	N-S281
DRW NO.447B	(11-22-71)	FLUSH BOLT	N-FB281	
DRW NO.451E		FLUSH BOLT	N-FB458	
DRW NO.452C		FLUSH BOLT	N-FB457	
DWG NO. 1086	(12-31-59)	FLUSH BOLT	N-FB459	Like 458 but 1/4" radius corners
HB-260-13	8-31-70	FLUSH BOLT	N-FB260	
HB-262-03-A	4-13-70	FLUSH BOLT	N-FB262	
HB-263-28	6-30-76	FLUSH BOLT	N-FB263	

RTS-4 TEMPLATES

Index by Manufacturer's Template Number

HB-264-33	4-13-77	FLUSH BOLT	N-FB264	
HB-265-53	11-11-81	FLUSH BOLT	N-FB265	
HB-356-75A	10-8-85	FLUSH BOLT	N-FB356	
HB-358-26-A	4-19-76	FLUSH BOLT	N-FB358	
HB-556-55C	2-9-82	FLUSH BOLT	N-FB556	
No. 333, 335, 336		ROLLER LATCH	N-RL33	
No.333,335	8-8-58	STRIKE	N-S212	Compare N-S222

LAWRENCE

Mfr. Template No. and Date	Device	Type	DoorTech No.	Comments
281	281 FLUSH BOLT	FLUSH BOLT	N-FB281	

MANWAI

Mfr. Template No. and Date	Device	Type	DoorTech No.	Comments
FB850		FLUSH BOLT	N-FB850	

NT QUALITY

Mfr. Template No. and Date	Device	Type	DoorTech No.	Comments
T-1358	3-20-95	FLUSH BOLT	N-FB555	

ROCKWOOD

Mfr. Template No. and Date	Device	Type	DoorTech No.	Comments
1942	n.d.	FLUSH BOLT	N-FB940	
RS-2-009	n.d. #557	FLUSH BOLT	N-FB358	
RS-2-483	n.d. #555	FLUSH BOLT	N-FB555	

RUSSWIN-CORBIN

Mfr. Template No. and Date	Device	Type	DoorTech No.	Comments
VT 30186	6-12-81	STRIKE	N-S504	
		STRIKE	N-S580	
VT 30350	4-24-85	STRIKE	N-S553	
		STRIKE	N-S562	
VT 30357	8-20-85	LATCH MORTISE	N-L410	
VT30349	4-29-85	STRIKE	N-S525	1413 series deadlocks
VT30350	4-24-85	STRIKE	N-S532	E880 series
VT30357	8-20-85	STRIKE	N-S525	1503 series deadlocks
WT30361	5-24-83 2000,9000 Series	LATCH MORTISE	N-L813	Like L812, but 7/32" deep(1:1)

SARGENT

Mfr. Template No. and Date	Device	Type	DoorTech No.	Comments
'76'	76	LATCH MORTISE	N-L412	

RTS-4 TEMPLATES

Index by Manufacturer's Template Number

SCHLAGE

Mfr. Template No. and Date	Device	Type	DoorTech No.	Comments
K706	Sept. 1986	STRIKE	N-S807	
K707	Sept. 1986	STRIKE	N-S807	
K715	Sept. 1986	STRIKE	N-S807	
K716	Sept. 1986	STRIKE	N-S807	
K717	Sept. 1986	STRIKE	N-S482	Strilke Box
L749	Sept. 1986	STRIKE	N-S817	
L750	Sept. 1986	STRIKE	N-S817	

STANLEY

Mfr. Template No. and Date	Device	Type	DoorTech No.	Comments
18-5404(?)		FLUSH BOLT	N-FB358	

TRIMCO

Mfr. Template No. and Date	Device	Type	DoorTech No.	Comments
1259	1-8-87	ROLLER LATCH	N-RL31	
1259"L"	7-25-90	ROLLER LATCH	N-RL34	
3825	3-27-89	FLUSH BOLT	N-FB815	Similar to FB 358
3916	1-28-87	FLUSH BOLT	N-FB916	
3999	2-9-87	FLUSH BOLT	N-FB265	
DRW#10256	5-24-90	3815 FLUSH BOLT	N-FB815	Similar to FB 358
DRW#11563	7-12-91	3913,W3913 FLUSH BOLT	N-FB391	
DWG#11564	1-28-87	3915 FLUSH BOLT	N-FB457	
		3917 FLUSH BOLT	N-FB395	
W3913	7-12-91	FLUSH BOLT	N-FB815	Similar to FB 358

VON DUPRIN

Mfr. Template No. and Date	Device	Type	DoorTech No.	Comments
W40251_0	3-31-88	POWER UNIT	N-PU218	
W40704_0	5-10-88	MAGNETIC SWITCH	N-MS764	

WARNOCK HERSEY

Mfr. Template No. and Date	Device	Type	DoorTech No.	Comments
		LABEL	N-LB01	Fire label pattern

YALE

Mfr. Template No. and Date	Device	Type	DoorTech No.	Comments
7003-1001	5-91	LATCH MORTISE STRIKE	N-L413 N-S581	
7003-1002	3-91	STRIKE	N-S553	

RTS-4 TEMPLATES

Index by Manufacturer's Template Number

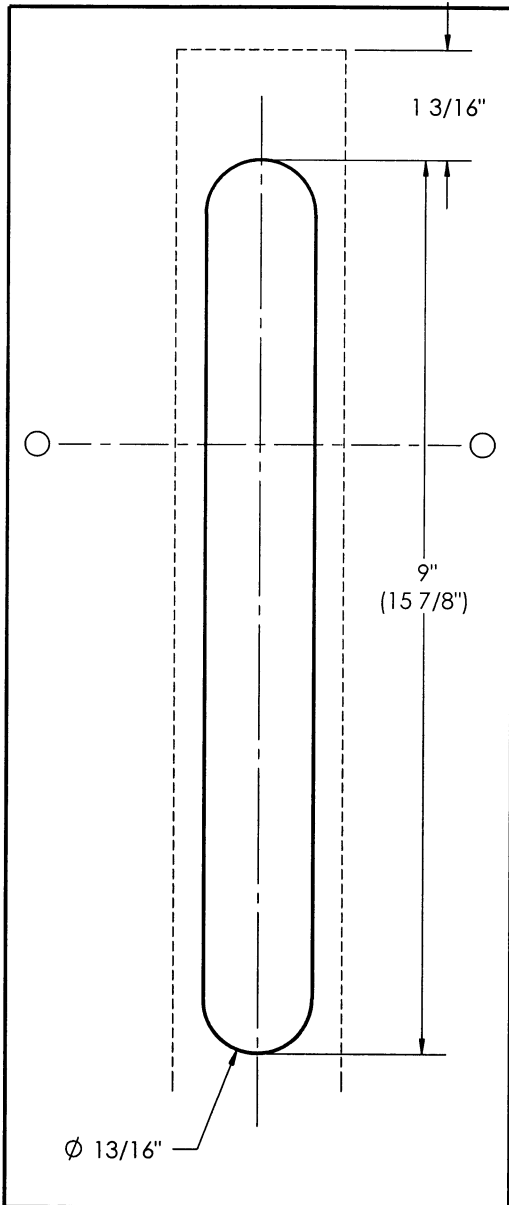
7470-1030	3-91		LATCH MORTISE	N-L70B	Also 7470-1031 & 7470-1032
80-7086-0002-010	11-82		LATCH MORTISE	N-L87B	Yale 87B
80-7415-1012-010	7-79	706	STRIKE	N-S420	

N-DC 004A

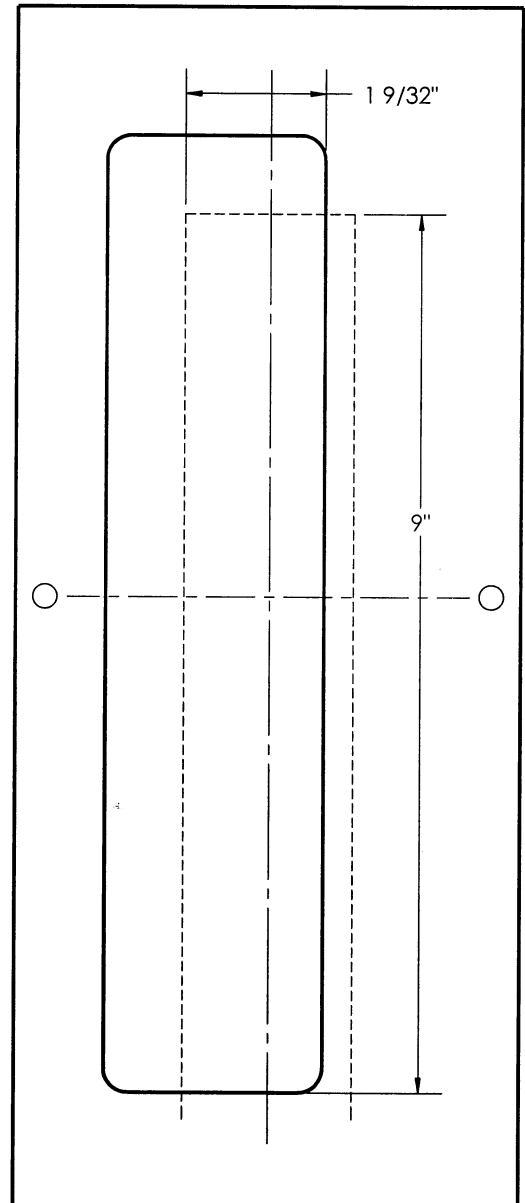
N-DC 004B

ROUTER: PLUNGE
GUIDE BUSHING: 13/16"
BIT: 1/2"

ROUTER: PLUNGE
GUIDE BUSHING: 13/16"
BIT: 1/2"



Slide Template 6 7/8" to route full 15 7/8" length of the hardware.



Slide Template 6 5/16" to route full 15 5/16" length of the hardware.

Do not scale drawings.

Actual cutting dimensions are shown. Template dimensions are adjusted for router Guide-Bit difference.

Compare these drawings to manufacturer's template drawings to confirm:

1. which portions of these templates apply;
2. relation of shown centerlines to those in manufacturer's template drawings or hardware;
3. correctness of dimensions.

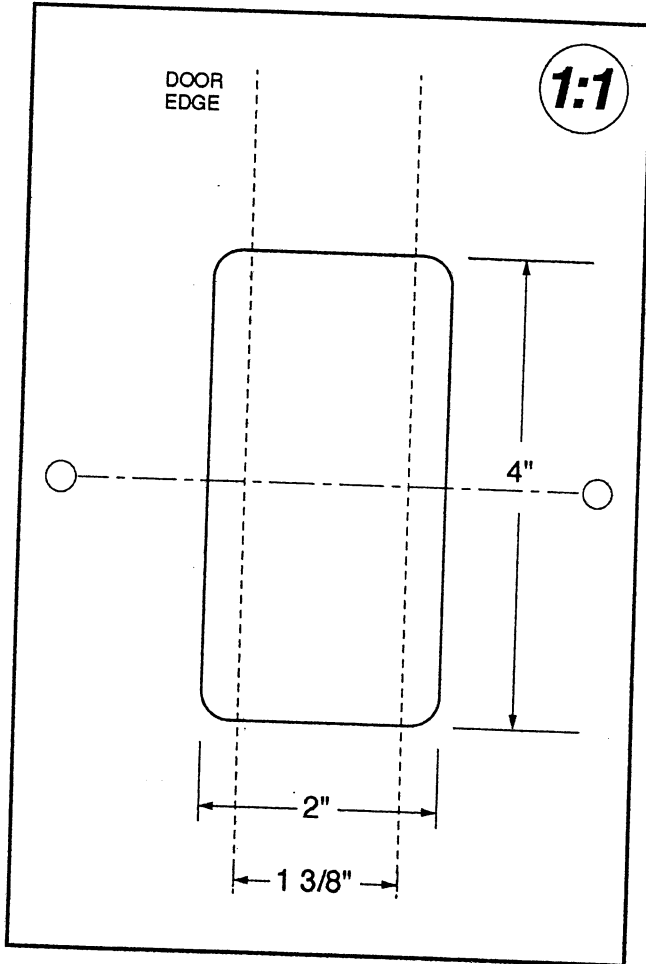
6/16/03

DOOR PULL

1/8" deep

N-DP 01A

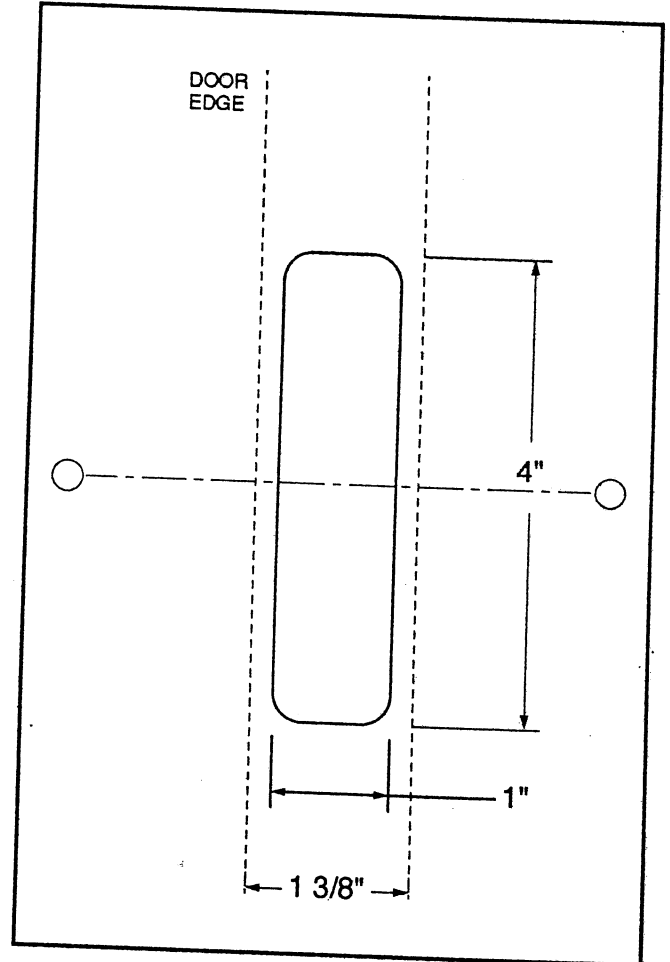
ROUTER: 1:1
GUIDE BUSHING: 3/4"
BIT: 3/4"



1/2" deep

N-DP 01B

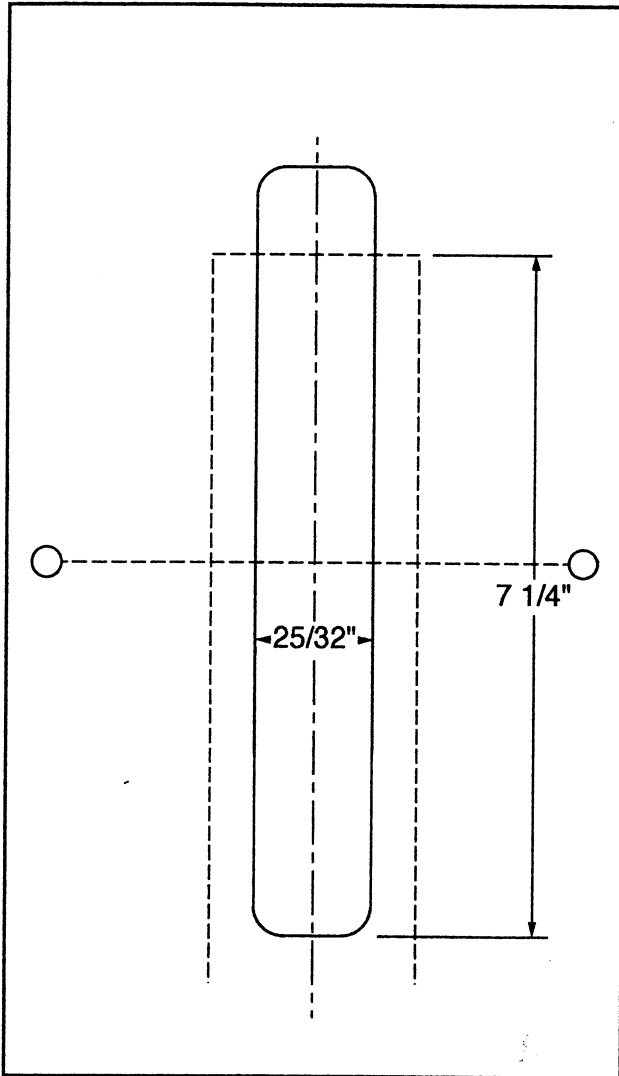
ROUTER: Plunge
GUIDE BUSHING: 13/16"
BIT: 1/2"



DOOR SLIDER

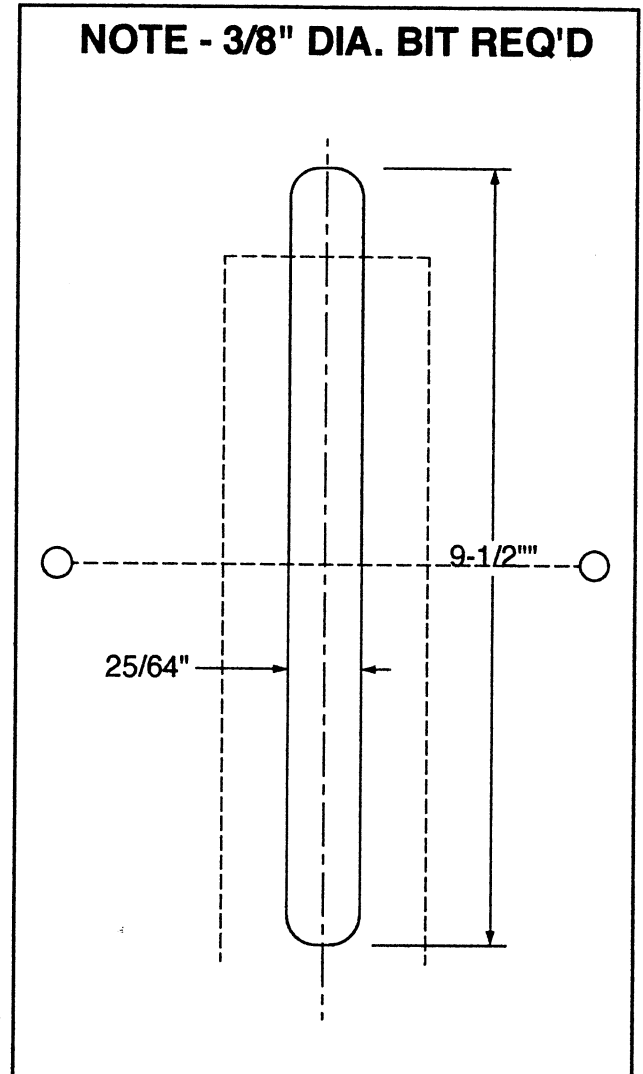
ROUTER: PLUNGE
GUIDE BUSHING: 13/16"
BIT: 1/2"

N-DS 001



ROUTER: PLUNGE
GUIDE BUSHING: 13/16"
BIT: 3/8"

N-DS 002



**Slide template along bottom of door
for continuous route.**

Do not scale drawings.

Actual cutting dimensions are shown. Template dimensions are adjusted for router Guide-Bit difference.

Compare these drawings to manufacturer's template drawings to confirm:

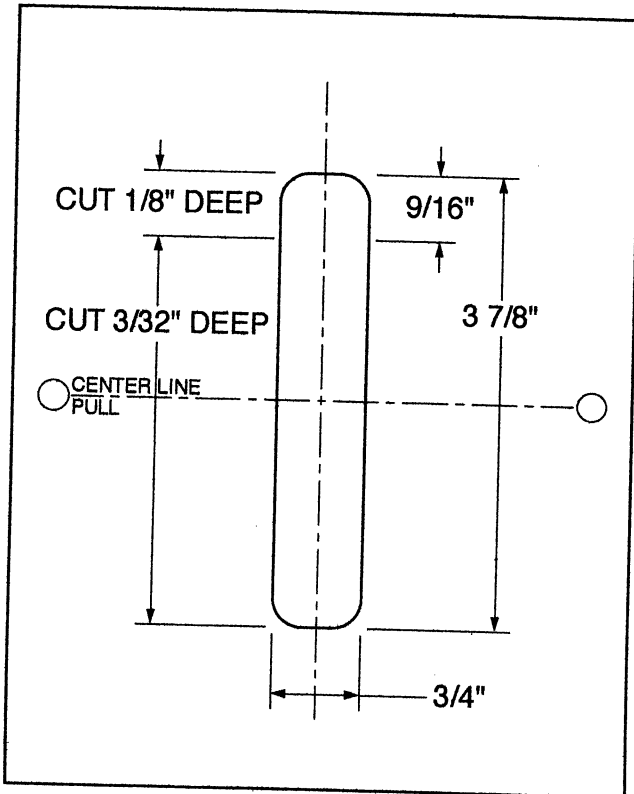
1. which portions of these templates apply;
2. relation of shown centerlines to those in manufacturer's template drawings or hardware;
3. correctness of dimensions.

5-9-02

EDGE PULLS

ROUTER: PLUNGE
GUIDE BUSHING: 13/16"
BIT: 1/2"

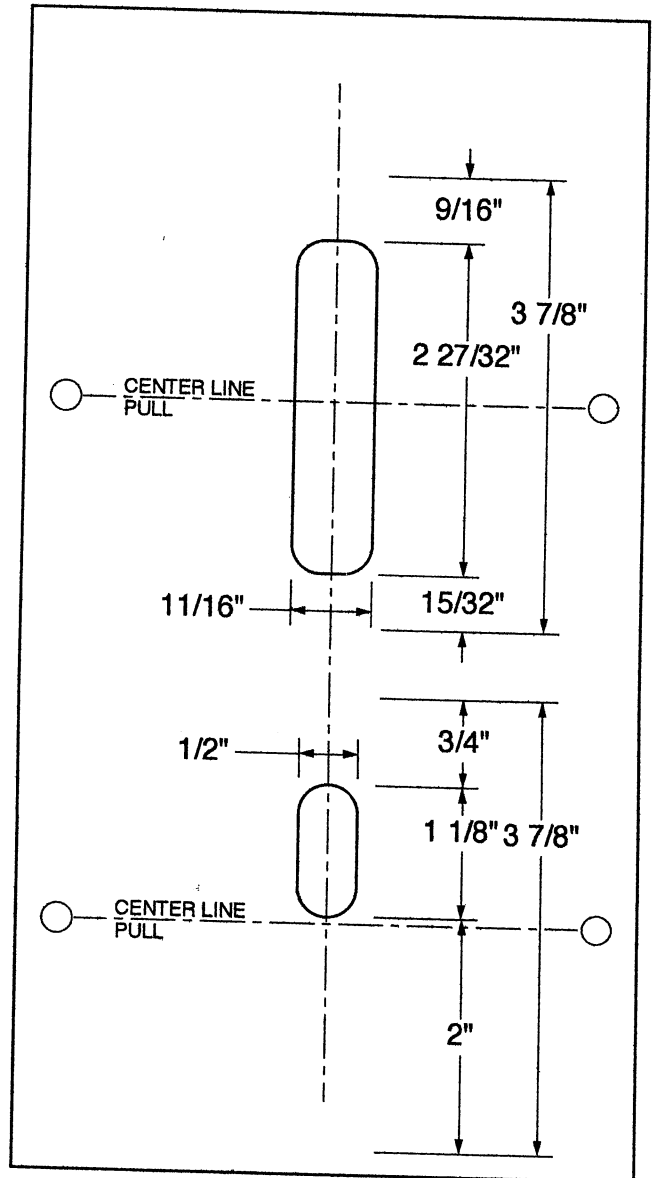
N-EP 230 A



Face cuts are made with Plunge router. Note that cut is 3/32" deep all around except 1/8" deep at one end.

ROUTER: PLUNGE
GUIDE BUSHING: 13/16"
BIT: 1/2"

N-EP 230 B



Do not scale drawings.

Actual cutting dimensions are shown. Template dimensions are adjusted for router Guide-Bit difference. Compare these drawings to manufacturer's template drawings to confirm:

1. which portions of these templates apply;
2. relation of shown centerlines to those in manufacturer's template drawings or hardware;
3. correctness of dimensions.

8-2-93

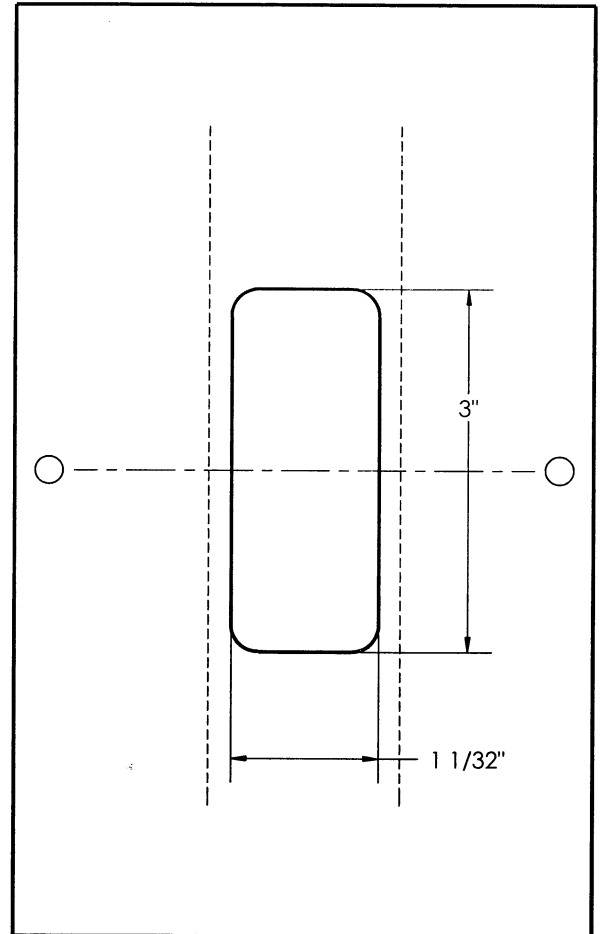
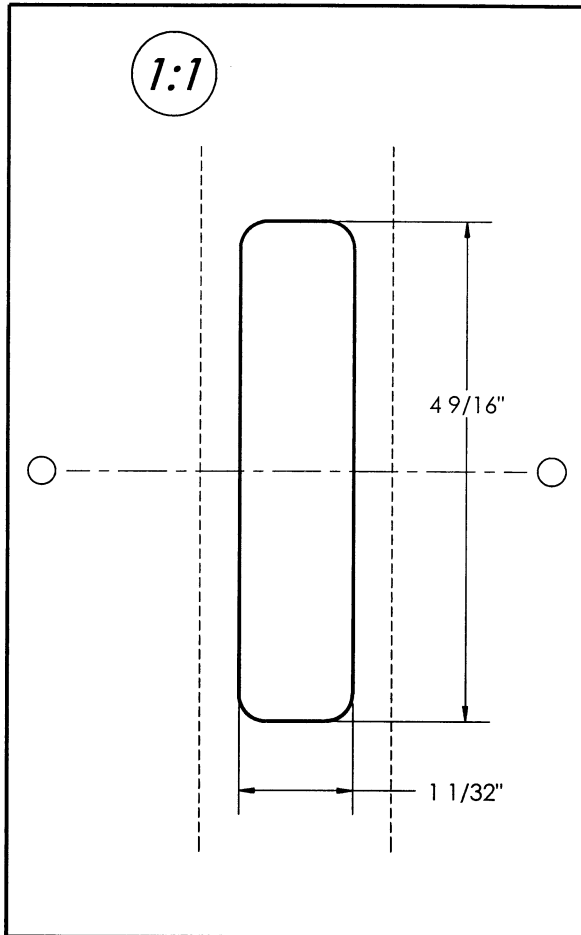
3/16" deep

N-EP 408A

N-EP 408B

ROUTER: 1:1
GUIDE BUSHING: 3/4"
BIT: 3/4"

ROUTER: PLUNGE
GUIDE BUSHING: 13/16"
BIT: 1/2"



Do not scale drawings.
Actual cutting dimensions are shown. Template dimensions are adjusted for router Guide-Bit difference.
Compare these drawings to manufacturer's template drawings to confirm:

1. which portions of these templates apply;
2. relation of shown centerlines to those in manufacturer's template drawings or hardware;
3. correctness of dimensions.

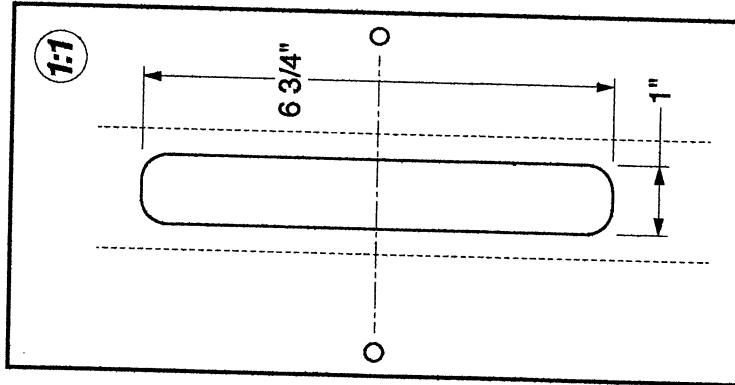
6/11/03

FB 7 Set

N-FB 7 A

ROUTER: 1:1
GUIDE BUSHING: 3/4"
BIT: 3/4"
DEPTH: 1/8"

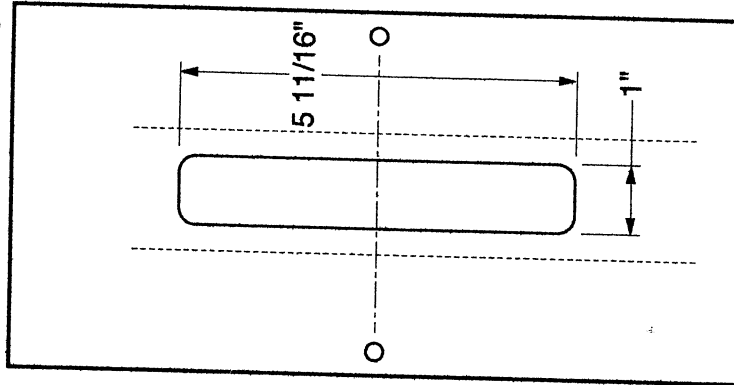
Routed square into a beveled edge



N-FB 7 B

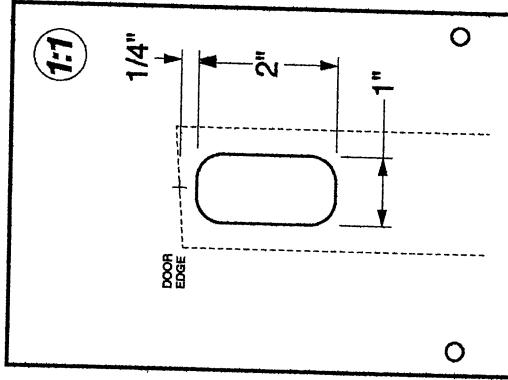
ROUTER: PLUNGE
GUIDE BUSHING: 13/16"
BIT: 1/2"
DEPTH: 2"

Routed square into a beveled edge



N-FB 7 E

ROUTER: 1:1
GUIDE BUSHING: 3/4"
BIT: 3/4"
DEPTH: 3/32"

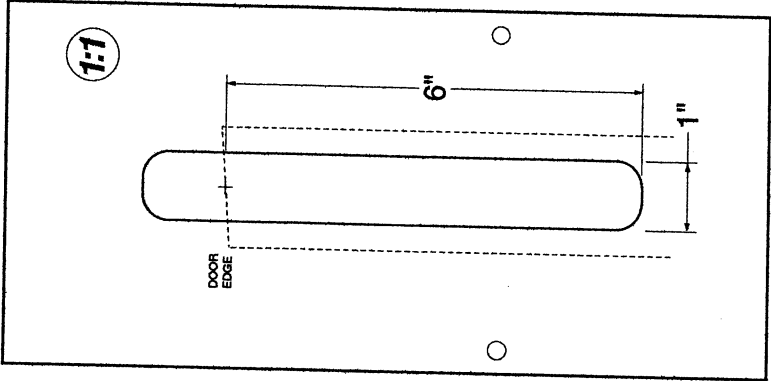


NOTE:
Because the endplate illustrated for the FB 7 is not designed for wood doors, a template matching an FB 458 endplate pattern is provided as a substitute.

FB 8 Set

N-FB 8E

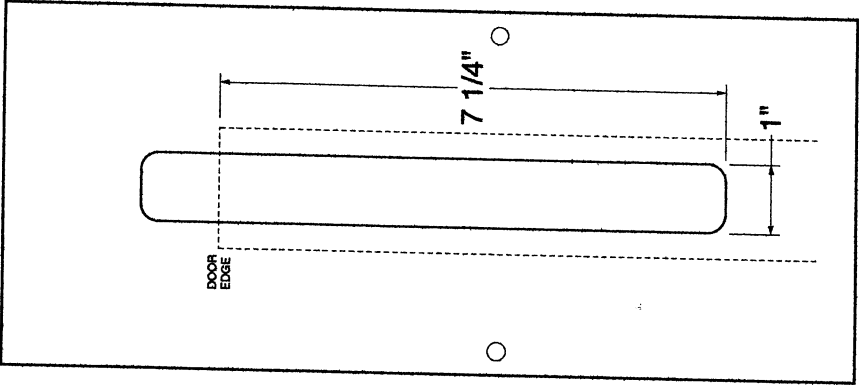
ROUTER: 1:1
GUIDE BUSHING: 3/4"
BIT: 3/4"
DEPTH: 1/8"



N-FB 8B

ROUTER: PLUNGE
GUIDE BUSHING: 13/16"
BIT: 1/2"
DEPTH: 2"

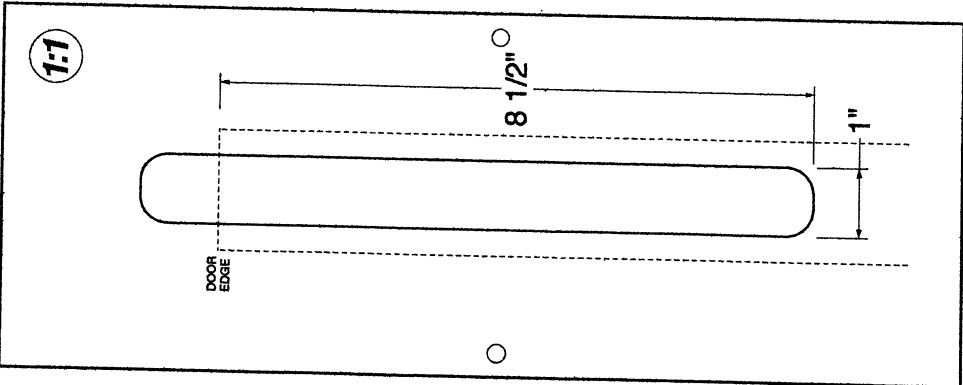
Routed square into a beveled edge



N-FB 8A

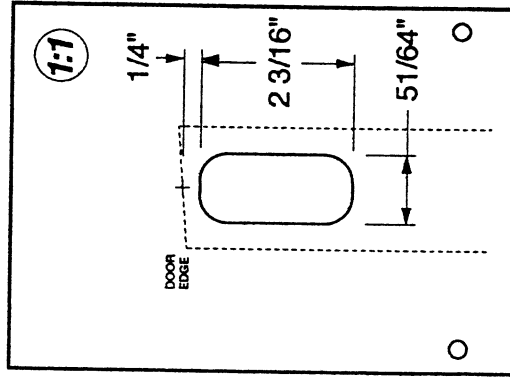
ROUTER: 1:1
GUIDE BUSHING: 3/4"
BIT: 3/4"
DEPTH: 1/8"

Routed square into a beveled edge



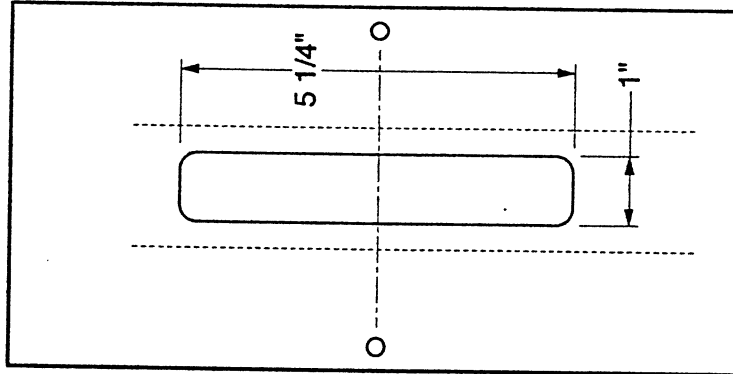
N-FB 258E

ROUTER: 1:1
GUIDE BUSHING: 3/4"
BIT: 3/4"
DEPTH: 3/32"



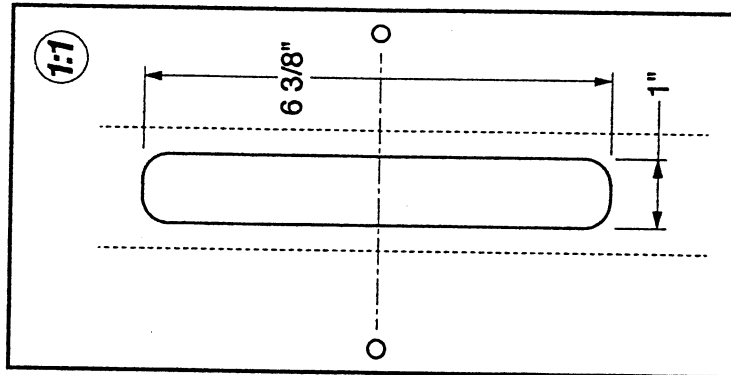
N-FB 258B

ROUTER: PLUNGE
GUIDE BUSHING: $1 \frac{3}{16}$ "
BIT: $1/2$ "
DEPTH: $1 \frac{3}{16}$ "



N-FB 258A

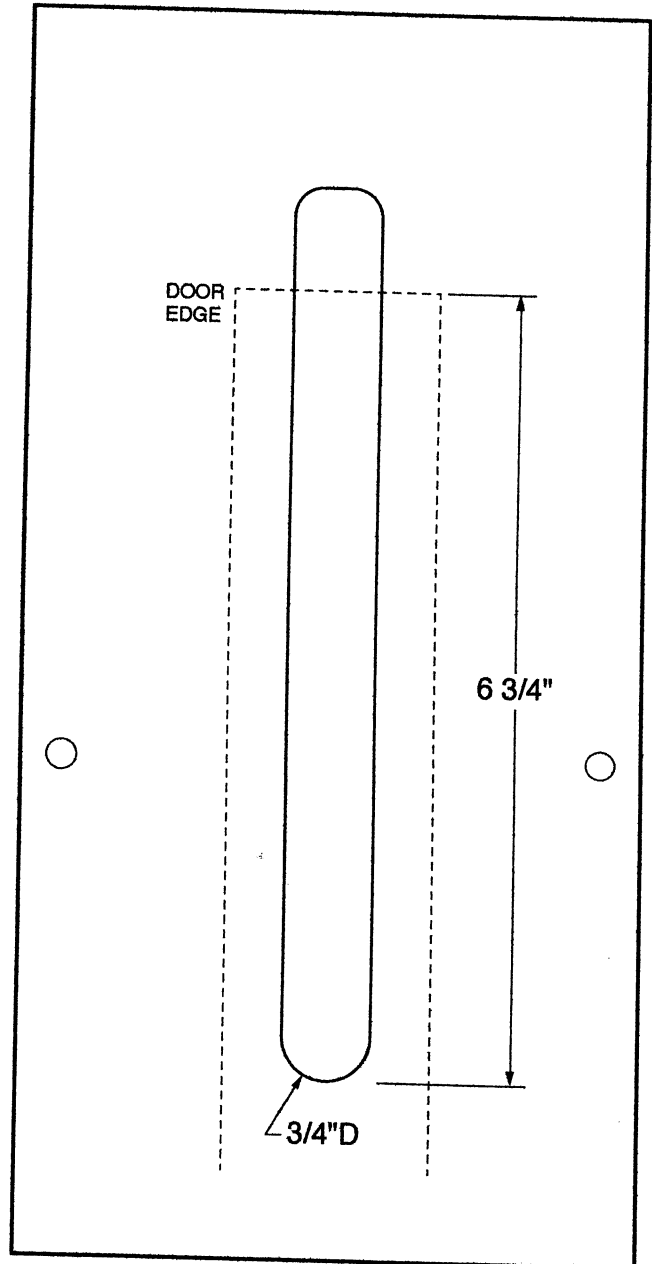
ROUTER: 1:1
GUIDE BUSHING: 3/4"
BIT: 3/4"
DEPTH: 1/8"



FB 260

5/8" deep

ROUTER: PLUNGE
GUIDE BUSHING: 13/16"
BIT: 1/2"

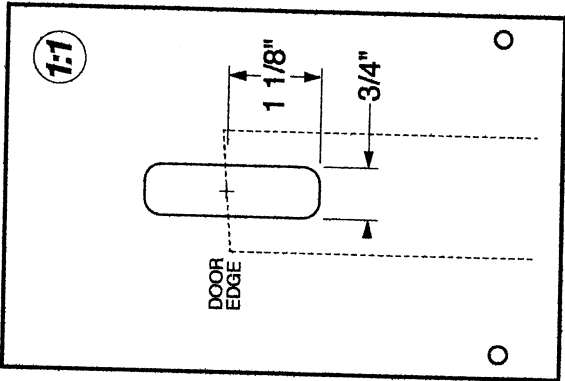


10-4-94

FB 261 Set

N-FB 261 E

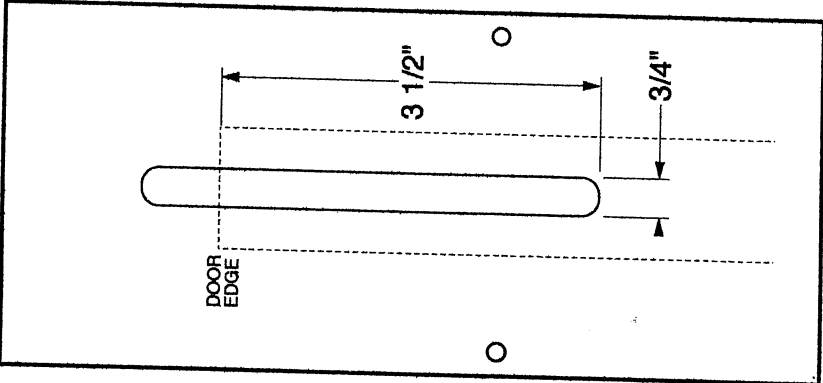
ROUTER: 1:1
GUIDE BUSHING: 3/4"
BIT: 3/4"
DEPTH: 1/8"



N-FB 261 B

ROUTER: PLUNGE
GUIDE BUSHING: 13/16"
BIT: 1/2"
DEPTH: 11/16"

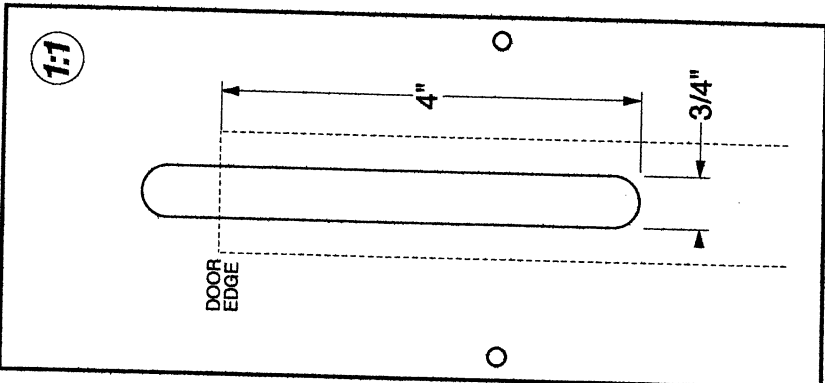
Routed square into a beveled edge



N-FB 261 A

ROUTER: 1:1
GUIDE BUSHING: 3/4"
BIT: 3/4"
DEPTH: 1/8"

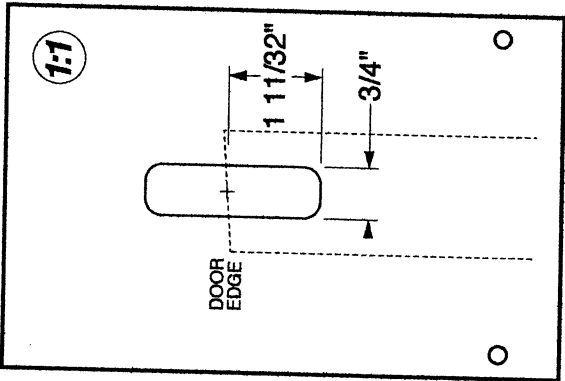
Routed square into a beveled edge



FB 262 Set

N-FB 262E

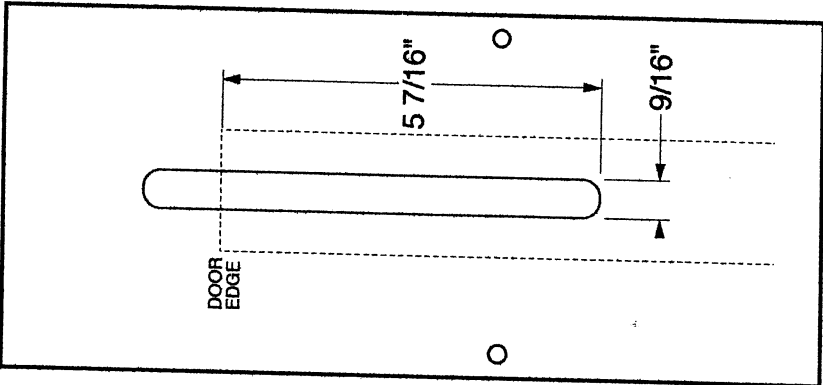
ROUTER: 1:1
GUIDE BUSHING: 3/4"
BIT: 3/4"
DEPTH: 1/8"



N-FB 262B

ROUTER: PLUNGE
GUIDE BUSHING: 13/16"
BIT: 1/2"
DEPTH: 3/4"

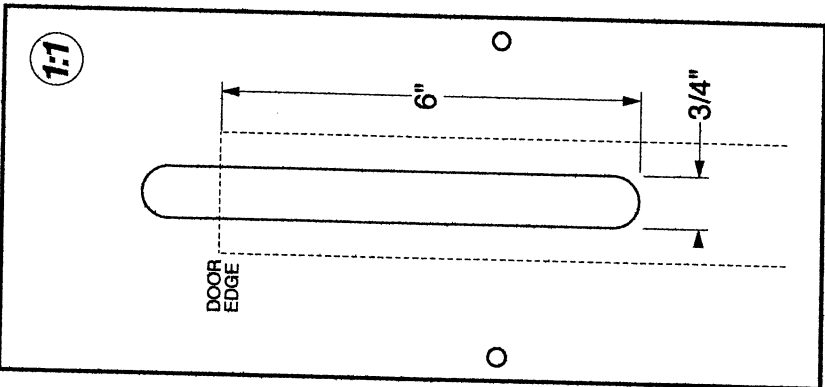
Routed square into a beveled edge



N-FB 262A

ROUTER: 1:1
GUIDE BUSHING: 3/4"
BIT: 3/4"
DEPTH: 1/8"

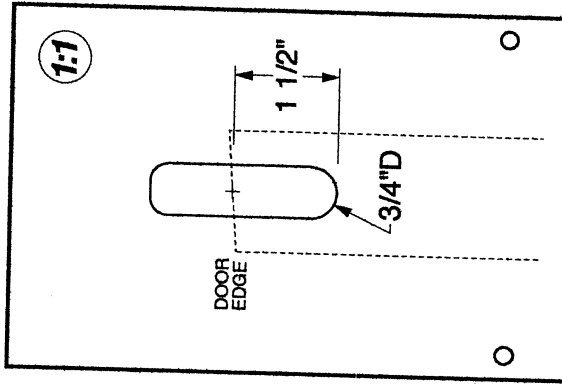
Routed square into a beveled edge



FB 263 Set

N-FB 263E

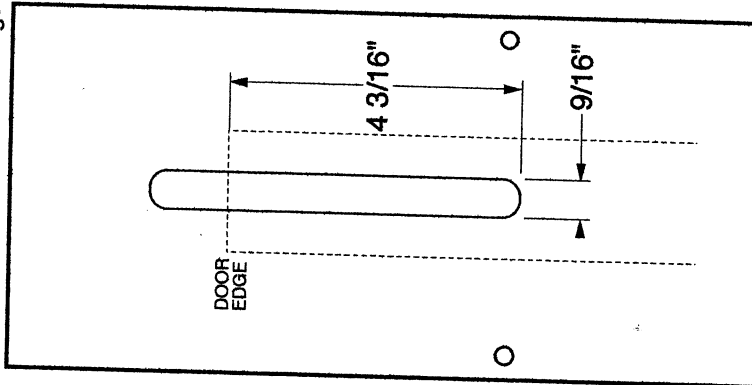
ROUTER: 1:1
GUIDE BUSHING: 3/4"
BIT: 3/4"
DEPTH: 1/8"



N-FB 263B

ROUTER: PLUNGE
GUIDE BUSHING: 13/16"
BIT: 1/2"
DEPTH: 3/4"

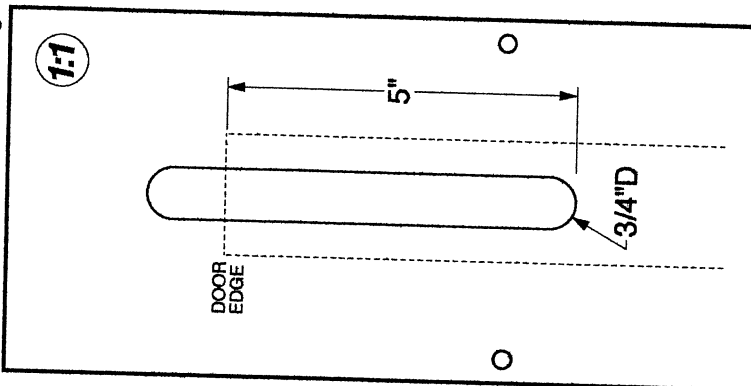
Routed square into a beveled edge



N-FB 263A

ROUTER: 1:1
GUIDE BUSHING: 3/4"
BIT: 3/4"
DEPTH: 1/8"

Routed square into a beveled edge

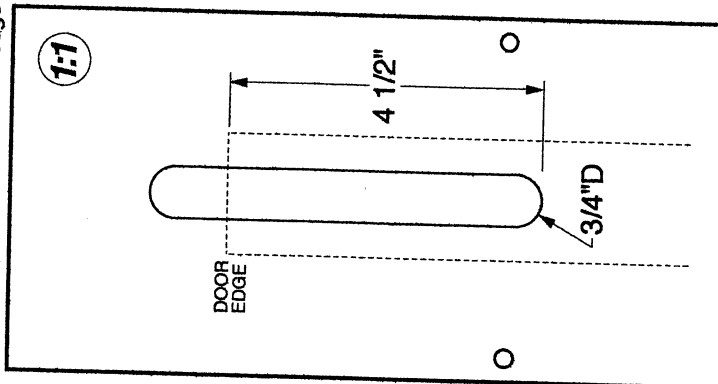


FB 264 Set

N-FB 264A

ROUTER: 1:1
GUIDE BUSHING: 3/4"
BIT: 3/4"
DEPTH: 1/8"

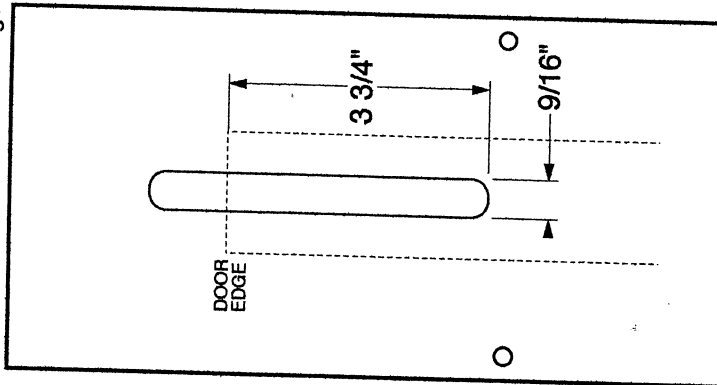
Routed square into a beveled edge



N-FB 264B

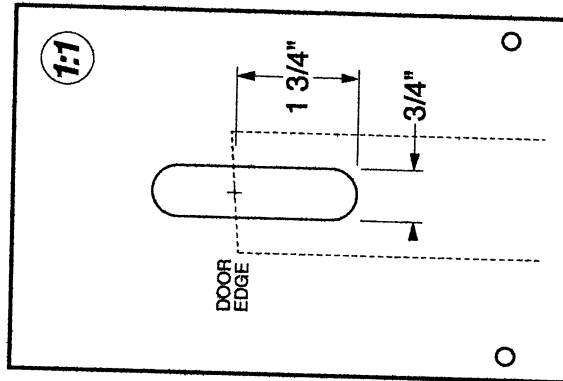
ROUTER: PLUNGE
GUIDE BUSHING: 13/16"
BIT: 1/2"
DEPTH: 3/4"

Routed square into a beveled edge



N-FB 264E

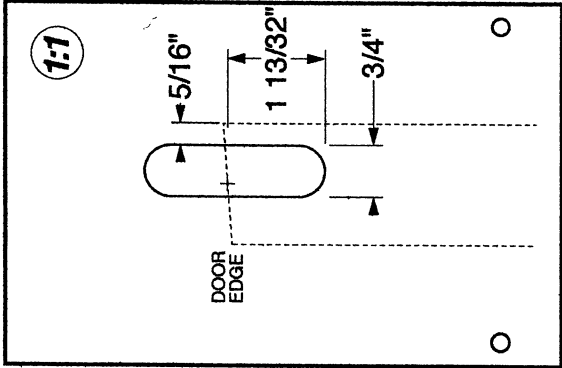
ROUTER: 1:1
GUIDE BUSHING: 3/4"
BIT: 3/4"
DEPTH: 1/8"



FB 265 Set

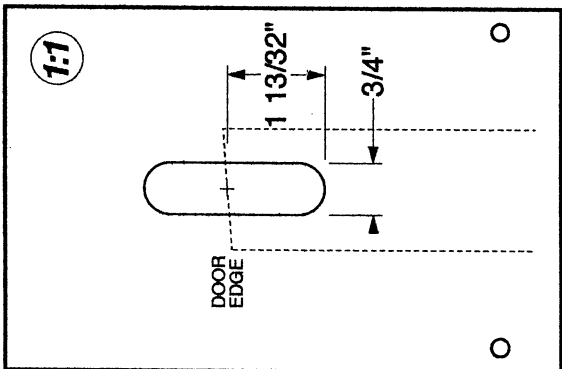
N-FB 265F

ROUTER: 1:1
 GUIDE BUSHING: 3/4"
 BIT: 3/4"
 DEPTH: 1/8"



N-FB 265E

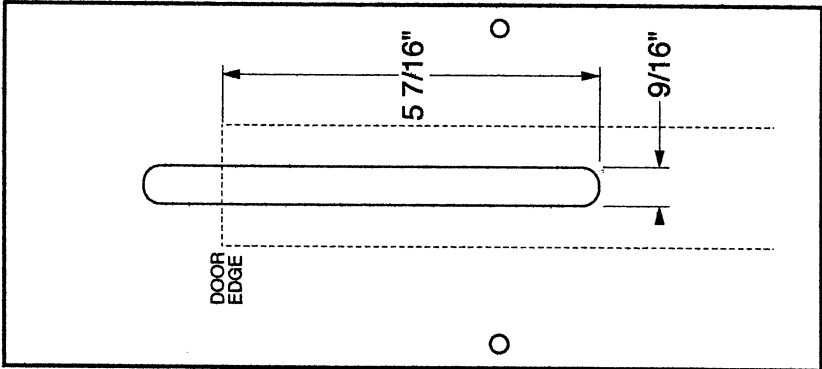
ROUTER: 1:1
 GUIDE BUSHING: 3/4"
 BIT: 3/4"
 DEPTH: 1/8"



N-FB 265B

ROUTER: PLUNGE
 GUIDE BUSHING: 13/16"
 BIT: 1/2"
 DEPTH: 3/4"

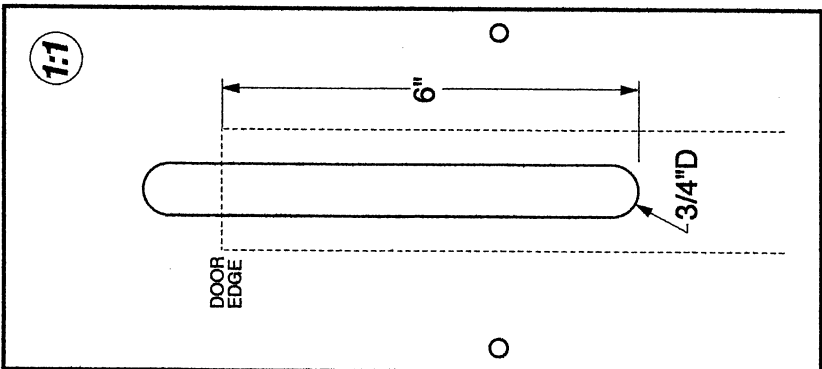
Routed square into a beveled edge



N-FB 265A

ROUTER: 1:1
 GUIDE BUSHING: 3/4"
 BIT: 3/4"
 DEPTH: 1/8"

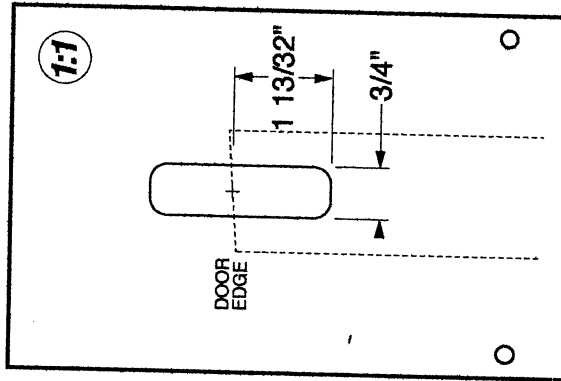
Routed square into a beveled edge



FB 266 Set

N-FB 266E

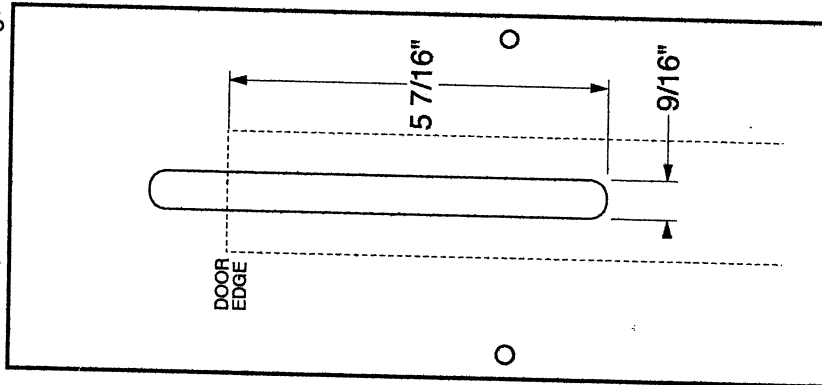
ROUTER: 1:1
GUIDE BUSHING: 3/4"
BIT: 3/4"
DEPTH: 1/16"



N-FB 266B

ROUTER: PLUNGE
GUIDE BUSHING: 13/16"
BIT: 1/2"
DEPTH: 13/16"

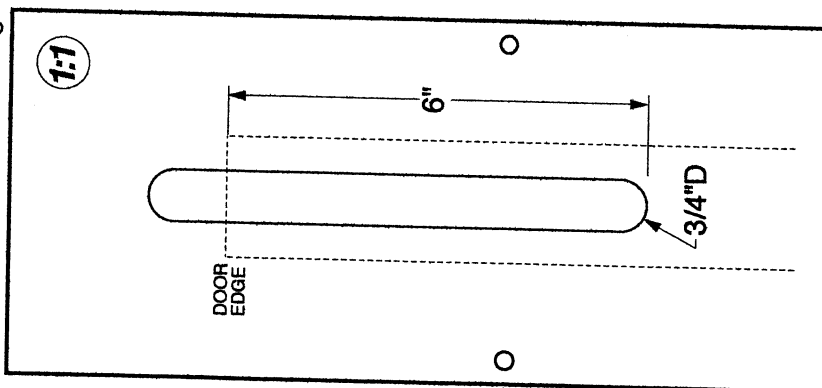
Routed square into a beveled edge



N-FB 266A

ROUTER: 1:1
GUIDE BUSHING: 3/4"
BIT: 3/4"
DEPTH: 1/16"

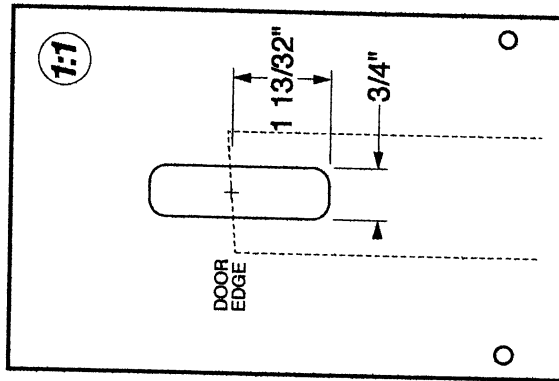
Routed square into a beveled edge



FB 267 Set

N-FB 267E

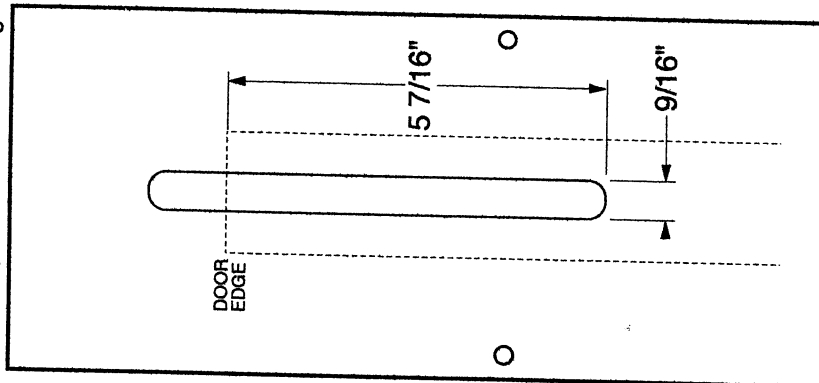
ROUTER: 1:1
GUIDE BUSHING: 3/4"
BIT: 3/4"
DEPTH: 3/32"



N-FB 267B

ROUTER: PLUNGE
GUIDE BUSHING: 13/16"
BIT: 1/2"
DEPTH: 13/16"

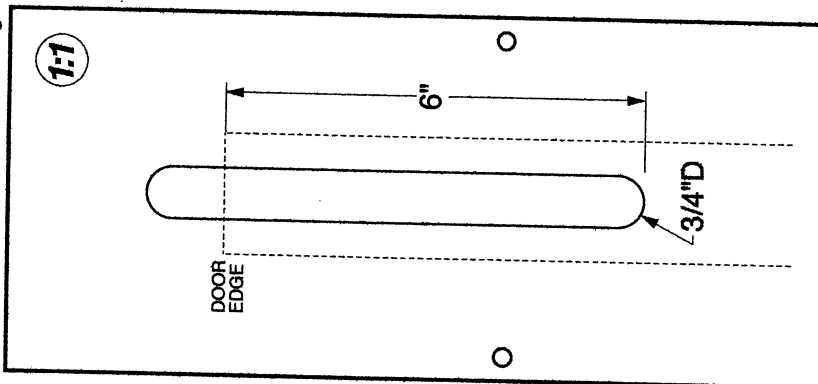
Routed square into a beveled edge



N-FB 267A

ROUTER: 1:1
GUIDE BUSHING: 3/4"
BIT: 3/4"
DEPTH: 3/32"

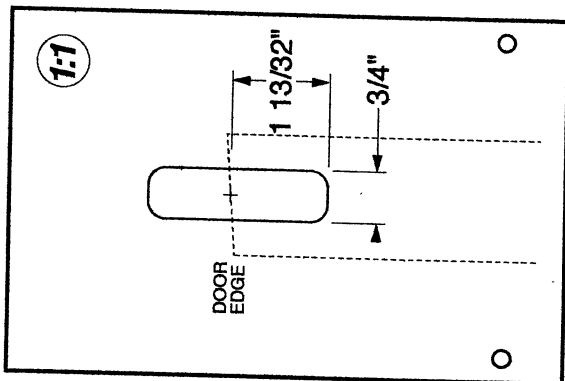
Routed square into a beveled edge



FB 268 Set

N-FB 268E

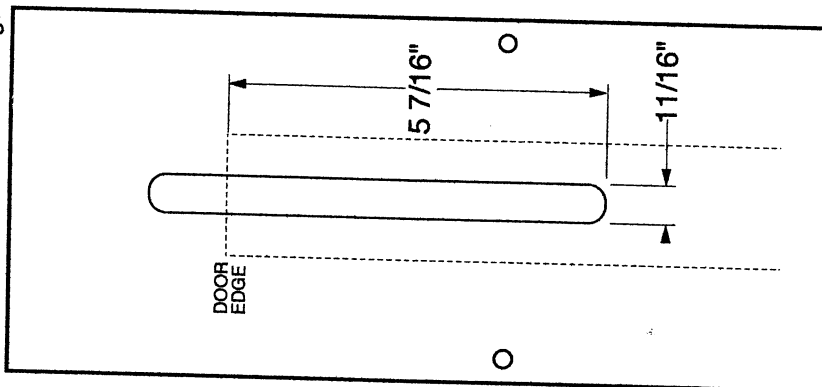
ROUTER: 1:1
GUIDE BUSHING: 3/4"
BIT: 3/4"
DEPTH: 1/8"



N-FB 268B

ROUTER: PLUNGE
GUIDE BUSHING: 13/16"
BIT: 1/2"
DEPTH: 3/4"

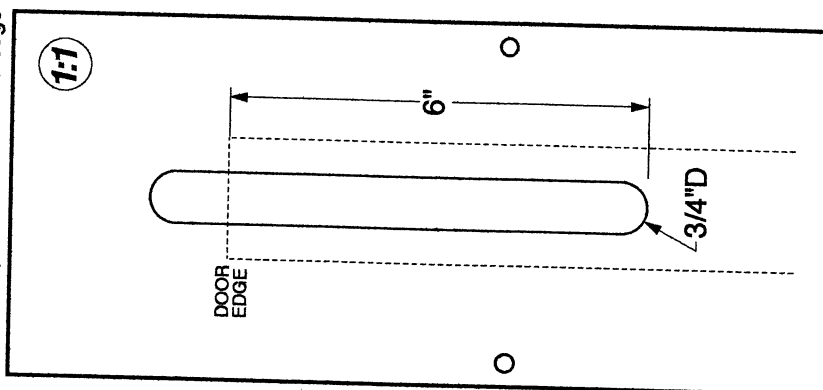
Routed square into a beveled edge



N-FB 268A

ROUTER: 1:1
GUIDE BUSHING: 3/4"
BIT: 3/4"
DEPTH: 1/8"

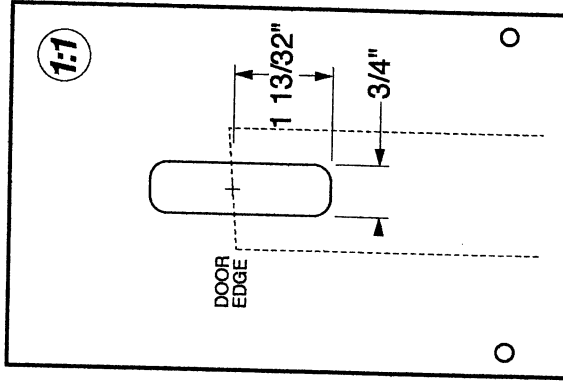
Routed square into a beveled edge



FB 270 Set

N-FB 270E

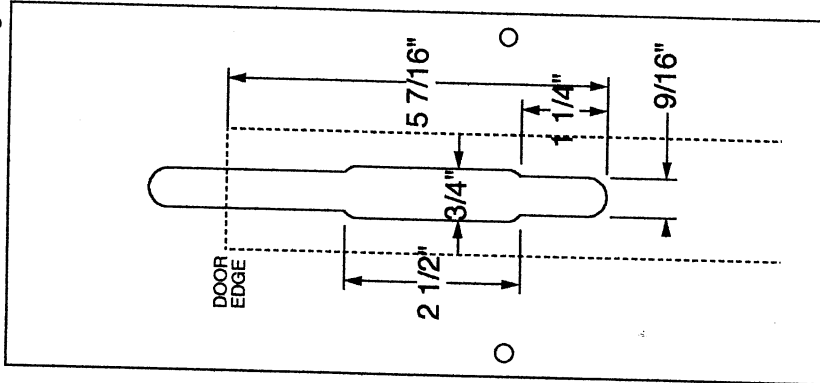
ROUTER: 1:1
GUIDE BUSHING: 3/4"
BIT: 3/4"
DEPTH: 1/8"



N-FB 270B

ROUTER: PLUNGE
GUIDE BUSHING: 13/16"
BIT: 1/2"
DEPTH: 3/4"

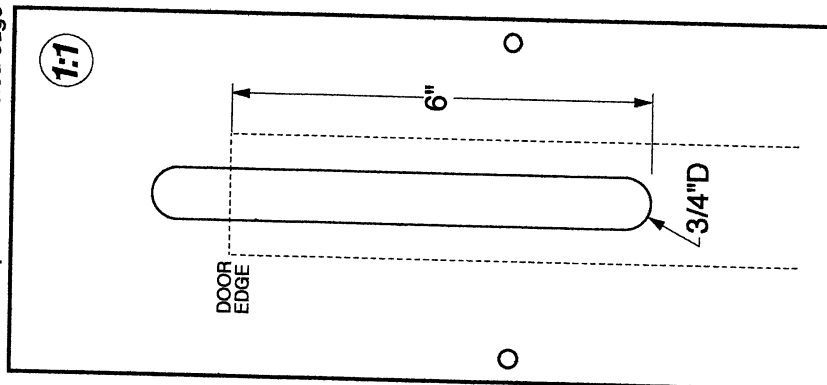
Routed square into a beveled edge



N-FB 270A

ROUTER: 1:1
GUIDE BUSHING: 3/4"
BIT: 3/4"
DEPTH: 1/8"

Routed square into a beveled edge

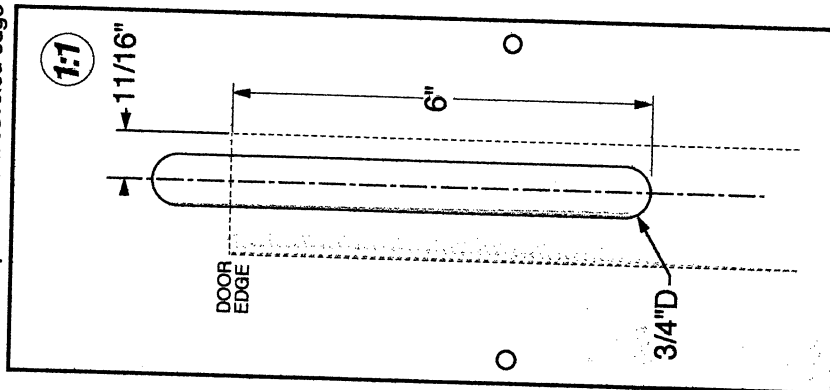


FB 271 Set

N-FB 271A

ROUTER: 1:1
GUIDE BUSHING: 3/4"
BIT: 3/4"
DEPTH: 1/8"

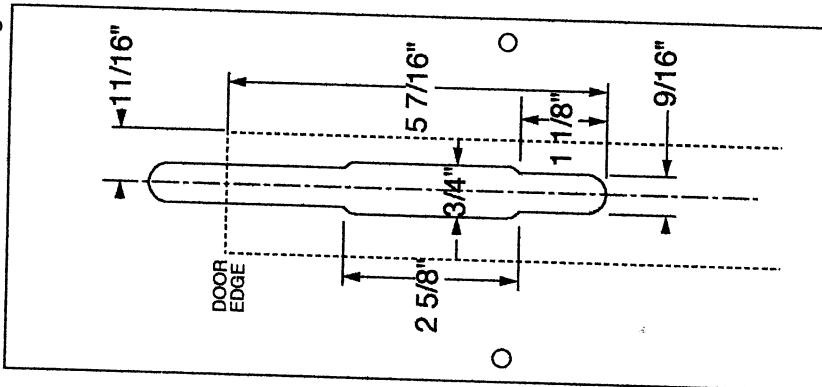
Routed square into a beveled edge



N-FB 271B

ROUTER: PLUNGE
GUIDE BUSHING: 13/16"
BIT: 1/2"
DEPTH: 3/4"

Routed square into a beveled edge

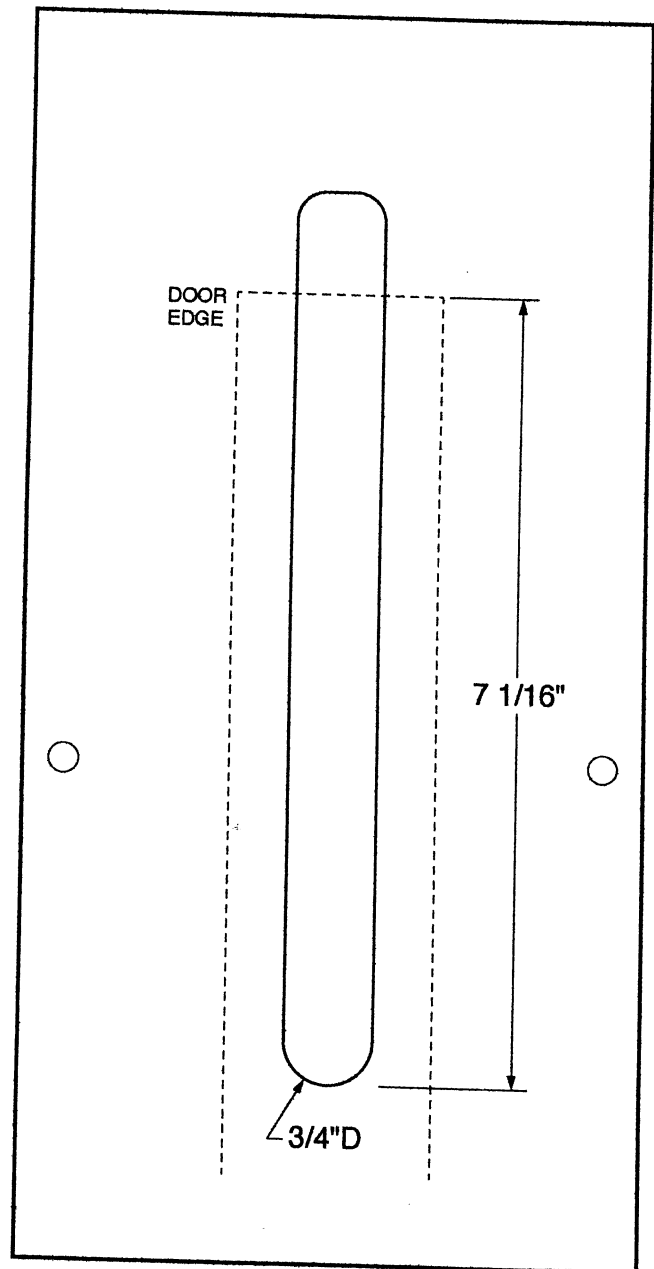


NOTE - Mortise centerlines are 3/16" to the right of the centerline of the door.

FB 281

5/8" deep

ROUTER: PLUNGE
GUIDE BUSHING: 13/16"
BIT: 1/2"

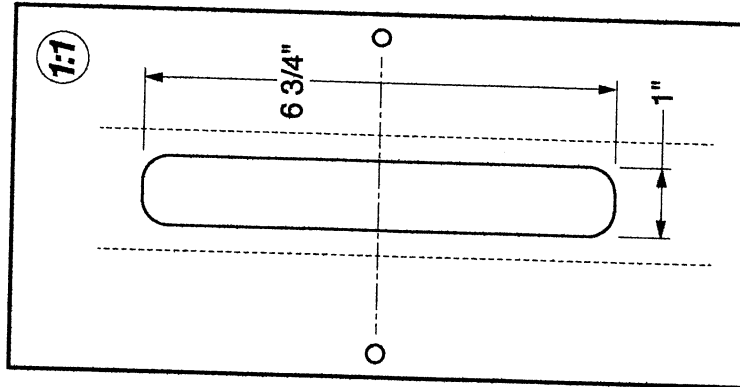


4-9-97

FB 282 Set

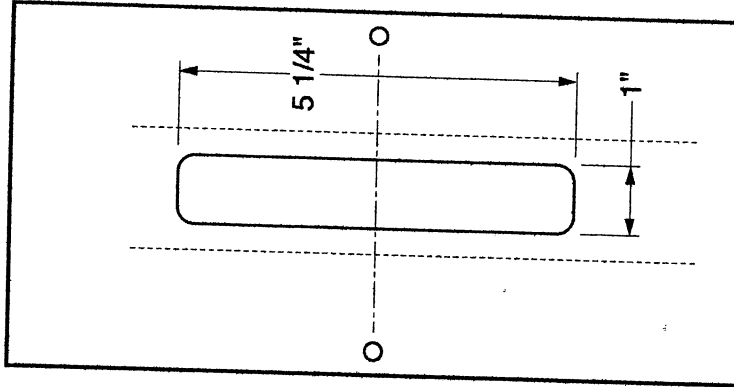
N-FB 282A

ROUTER: 1:1
GUIDE BUSHING: 3/4"
BIT: 3/4"
DEPTH: 1/8"



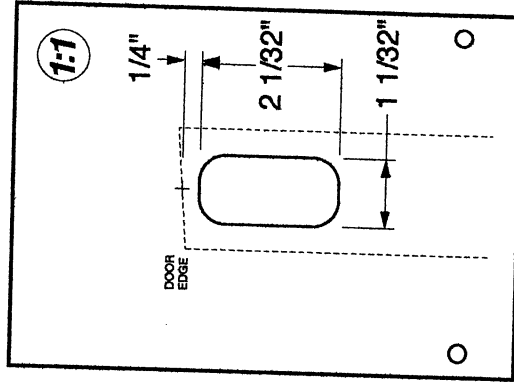
N-FB 282B

ROUTER: PLUNGE
GUIDE BUSHING: 13/16"
BIT: 1/2"
DEPTH: 1-1/16"



N-FB 282E

ROUTER: 1:1
GUIDE BUSHING: 3/4"
BIT: 3/4"
DEPTH: 3/32"

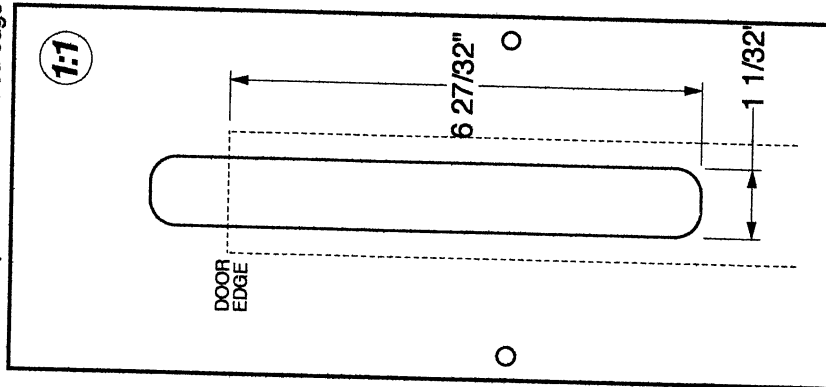


FB 283 Set

N-FB 283A

ROUTER: 1:1
GUIDE BUSHING: 3/4"
BIT: 3/4"
DEPTH: 1/8"

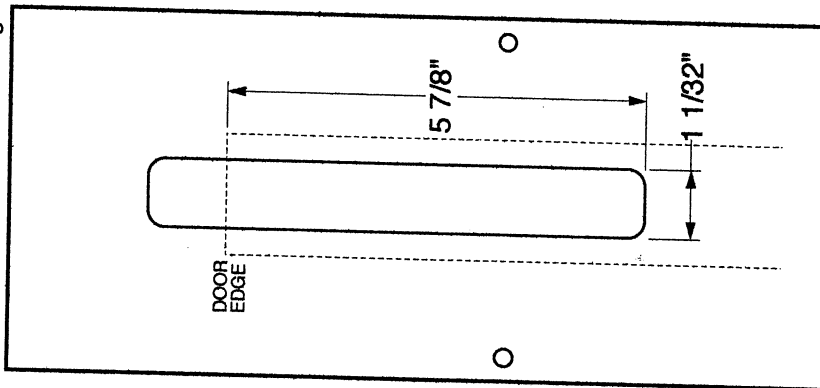
Routed square into a beveled edge



N-FB 283B

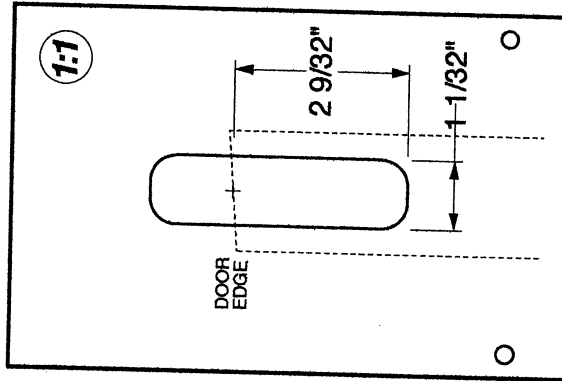
ROUTER: PLUNGE
GUIDE BUSHING: 13/16"
BIT: 1/2"
DEPTH: 1-3/8"

Routed square into a beveled edge



N-FB 283E

ROUTER: 1:1
GUIDE BUSHING: 3/4"
BIT: 3/4"
DEPTH: 1/8"

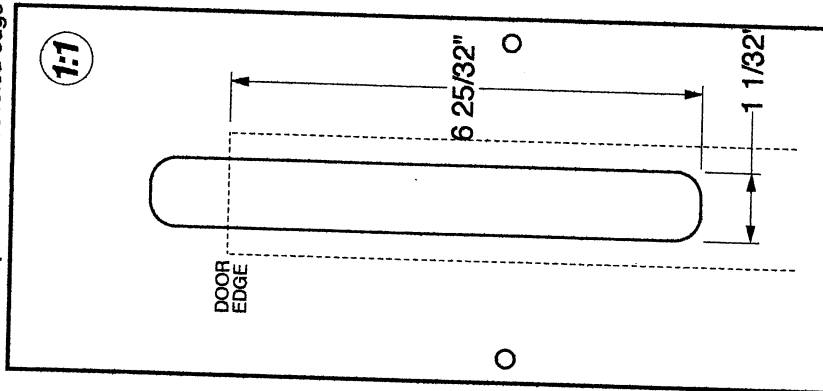


FB 284 Set

N-FB 284A

ROUTER: 1:1
GUIDE BUSHING: 3/4"
BIT: 3/4"
DEPTH: 1/8"

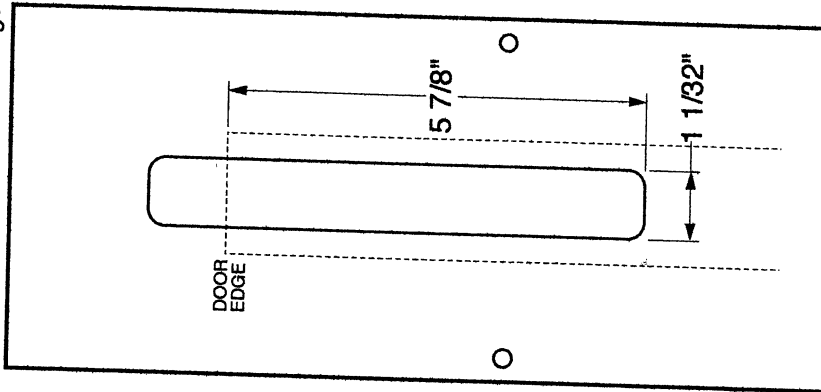
Routed square into a beveled edge



N-FB 284B

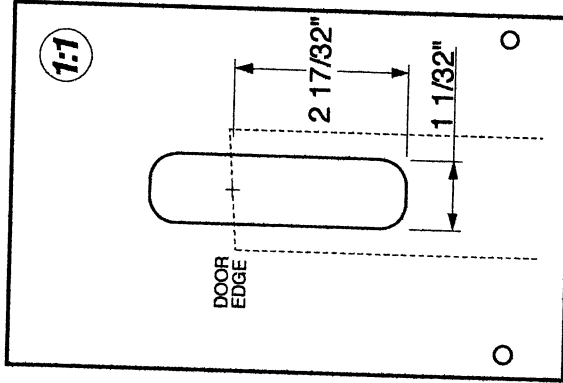
ROUTER: PLUNGE
GUIDE BUSHING: 13/16"
BIT: 1/2"
DEPTH: 1-7/16"

Routed square into a beveled edge



N-FB 284E

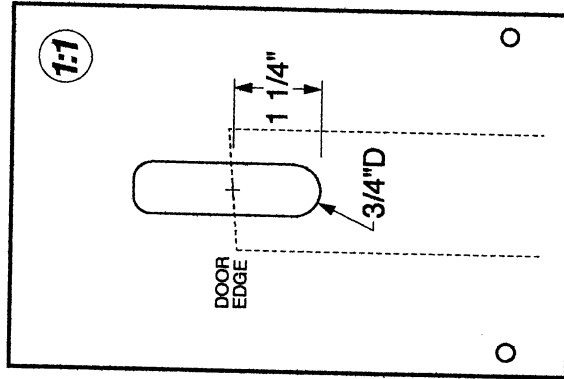
ROUTER: 1:1
GUIDE BUSHING: 3/4"
BIT: 3/4"
DEPTH: 1/8"



FB 348 Set

N-FB 348E

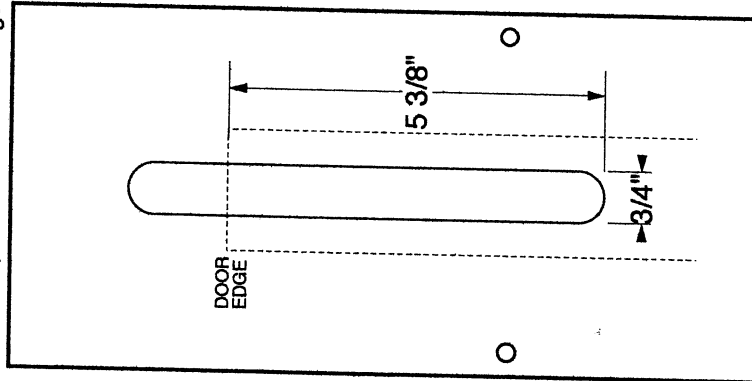
ROUTER: 1:1
GUIDE BUSHING: 3/4"
BIT: 3/4"
DEPTH: 1/16"



N-FB 348B

ROUTER: PLUNGE
GUIDE BUSHING: 13/16"
BIT: 1/2"
DEPTH: 3/4"

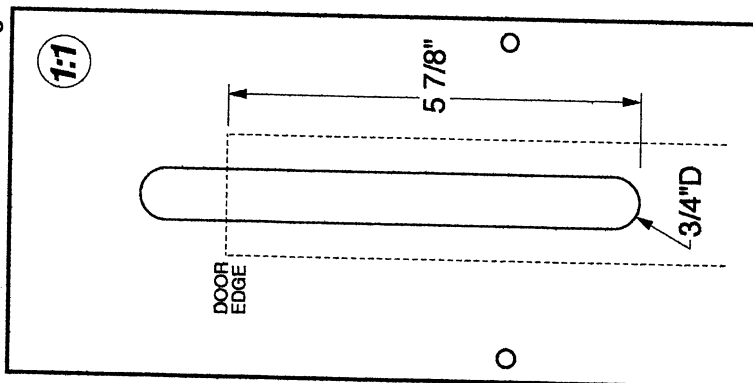
Routed square into a beveled edge



N-FB 348A

ROUTER: 1:1
GUIDE BUSHING: 3/4"
BIT: 3/4"
DEPTH: 1/16"

Routed square into a beveled edge

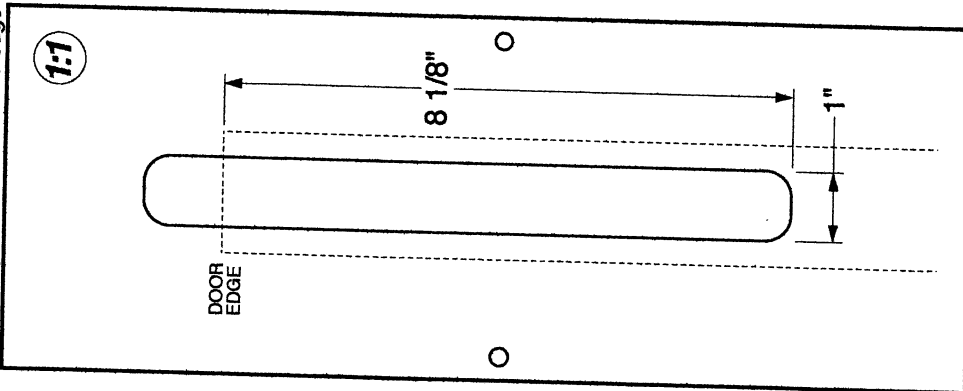


FB 356 Set

N-FB 356A

ROUTER: 1:1
GUIDE BUSHING: 3/4"
BIT: 3/4"
DEPTH: 1/8"

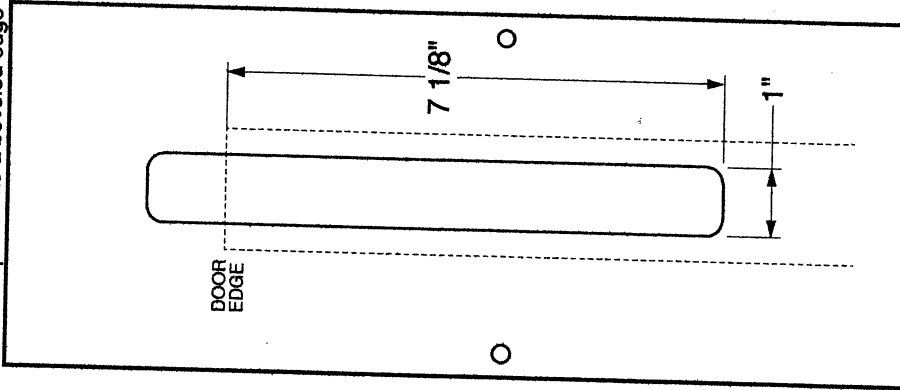
Routed square into a beveled edge



N-FB 356B

ROUTER: PLUNGE
GUIDE BUSHING: 13/16"
BIT: 1/2"
DEPTH: 1-3/8"

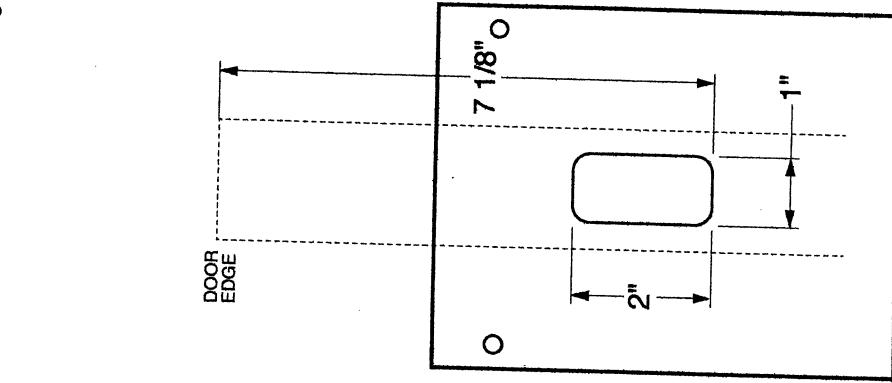
Routed square into a beveled edge



N-FB 356C

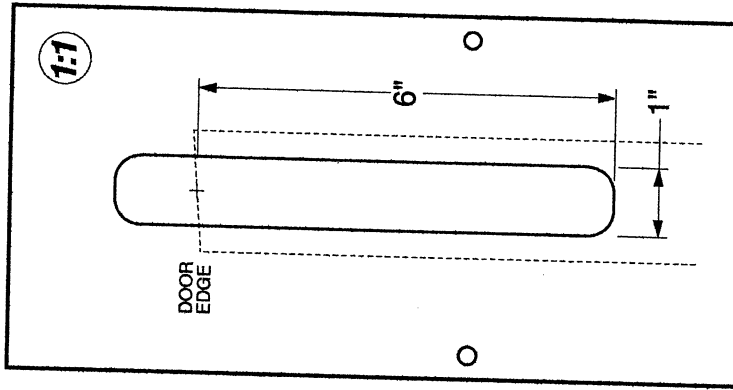
ROUTER: PLUNGE
GUIDE BUSHING: 13/16"
BIT: 1/2"
DEPTH: 1-5/8"

Routed square into a beveled edge



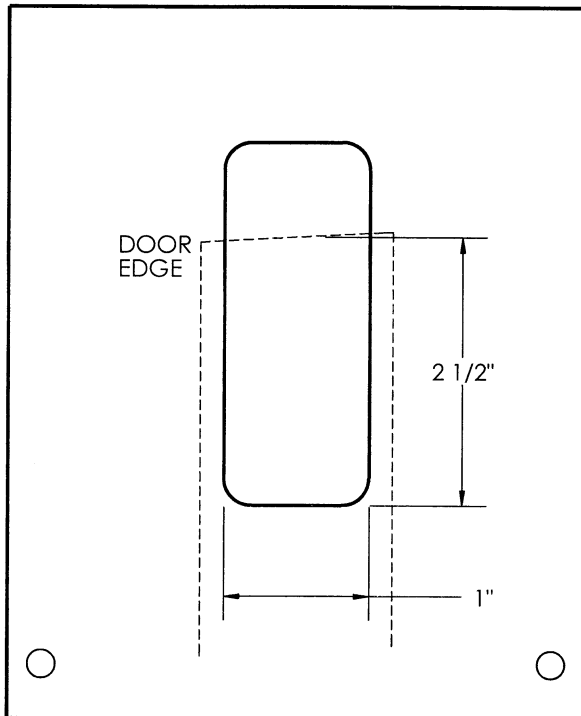
N-FB 356E

ROUTER: 1:1
GUIDE BUSHING: 3/4"
BIT: 3/4"
DEPTH: 1/8"



N-FB 359E

ROUTER: PLUNGE
GUIDE BUSHING: 13/16"
BIT: 1/2"



Do not scale drawings.

Actual cutting dimensions are shown. Template dimensions are adjusted for router Guide-Bit difference. Compare these drawings to manufacturer's template drawings to confirm:

1. which portions of these templates apply;
2. relation of shown centerlines to those in manufacturer's template drawings or hardware;
3. correctness of dimensions.

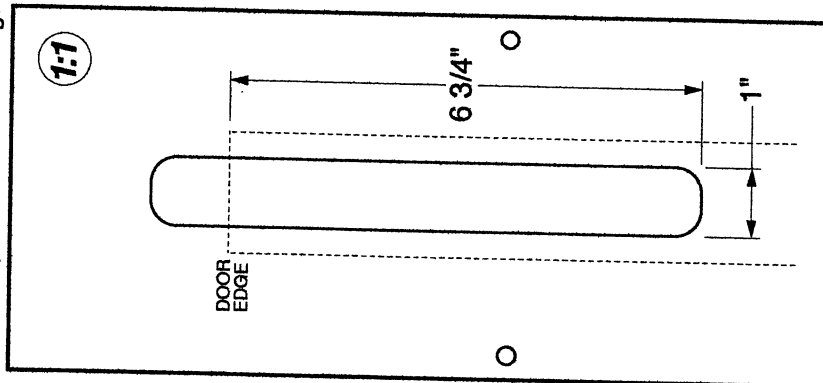
6/10/03

FB 358 Set

N-FB 358A

ROUTER: 1:1
GUIDE BUSHING: 3/4"
BIT: 3/4"
DEPTH: 1/8"

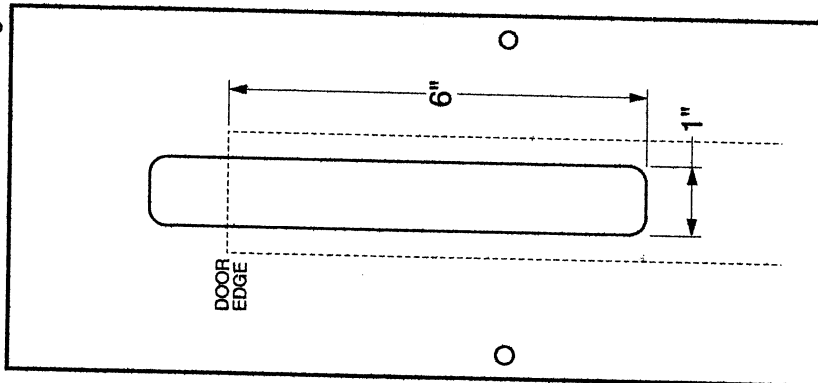
Routed square into a beveled edge



N-FB 358B

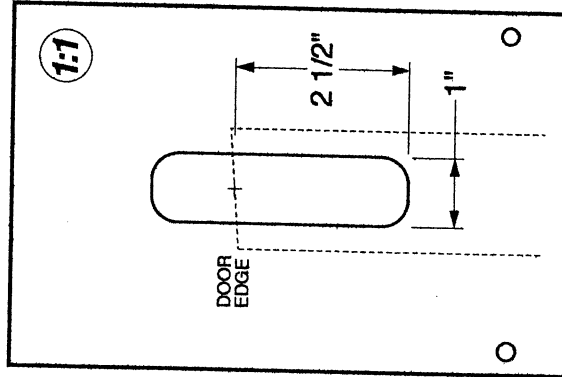
ROUTER: PLUNGE
GUIDE BUSHING: 13/16"
BIT: 1/2"
DEPTH: 1-3/8"

Routed square into a beveled edge



N-FB 358E

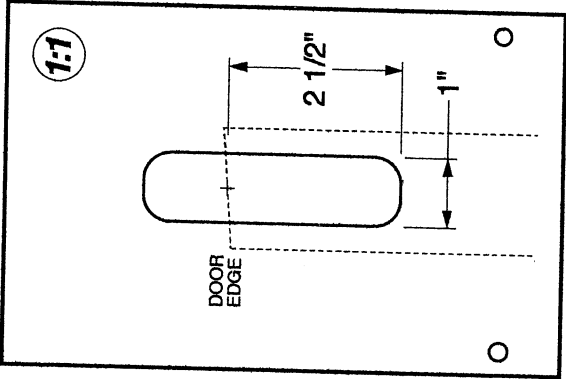
ROUTER: 1:1
GUIDE BUSHING: 3/4"
BIT: 3/4"
DEPTH: 3/32"



FB 391 Set

N-FB 391E

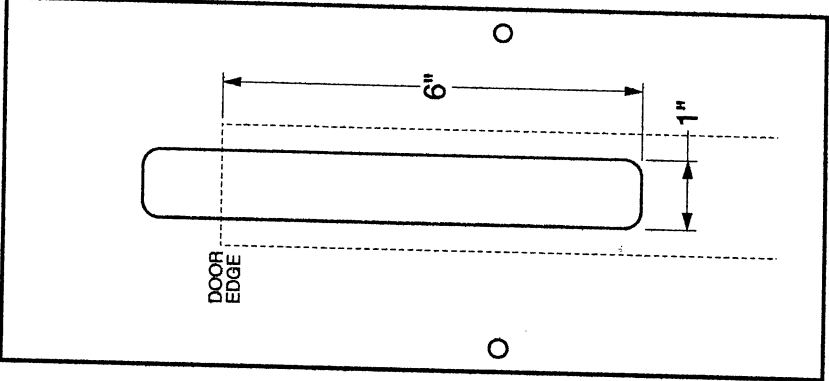
ROUTER: 1:1
GUIDE BUSHING: 3/4"
BIT: 3/4"
DEPTH: 3/32"



N-FB 391B

ROUTER: PLUNGE
GUIDE BUSHING: 13/16"
BIT: 1/2"
DEPTH: 1-3/8"

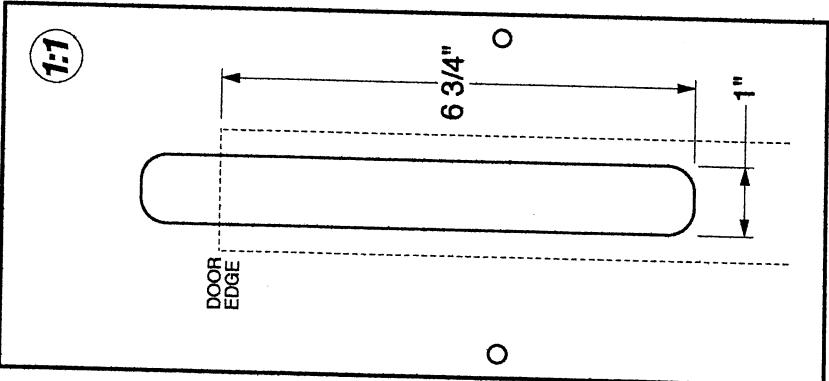
Routed square into a beveled edge



N-FB 391A

ROUTER: 1:1
GUIDE BUSHING: 3/4"
BIT: 3/4"
DEPTH: 3/32"

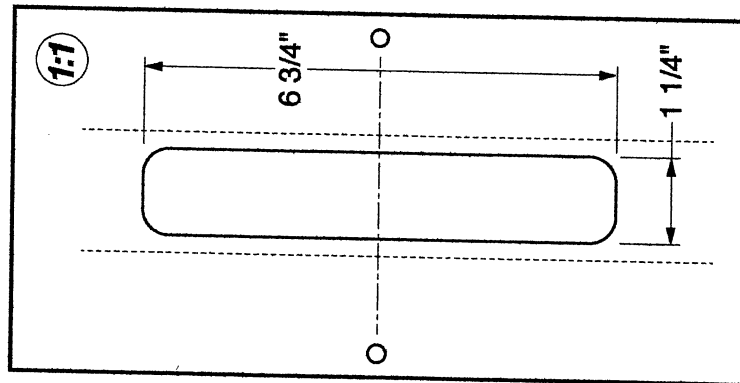
Routed square into a beveled edge



FB 457 Set

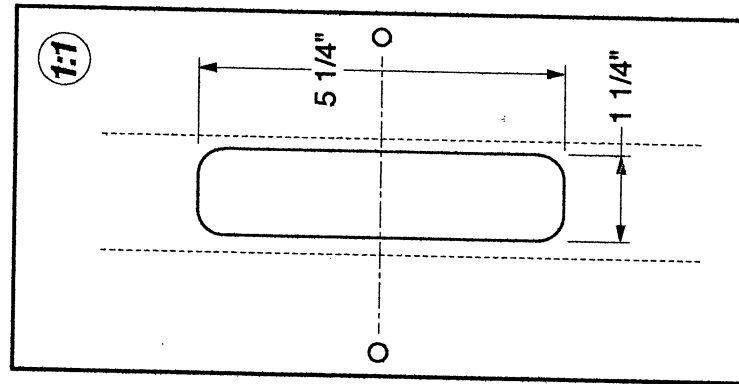
N-FB 457A

ROUTER: 1:1
GUIDE BUSHING: 3/4"
BIT: 3/4"
DEPTH: 1/8"



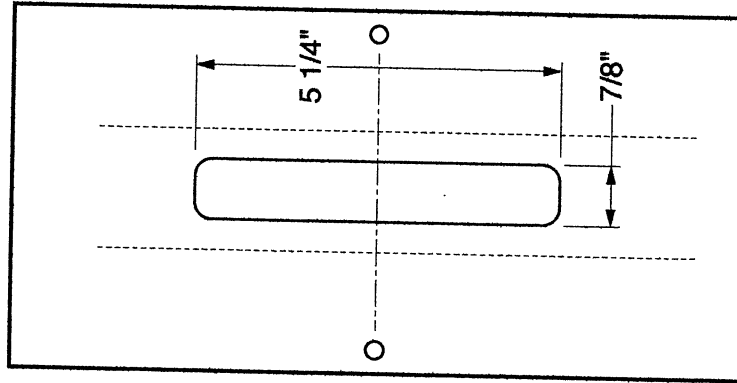
N-FB 457B

ROUTER: 1:1
GUIDE BUSHING: 3/4"
BIT: 3/4"
DEPTH: 3/16"



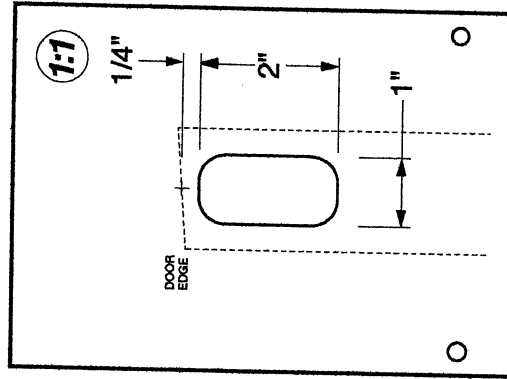
N-FB 457C

ROUTER: PLUNGE
GUIDE BUSHING: 13/16"
BIT: 1/2"
DEPTH: 1-3/16"



N-FB 457E

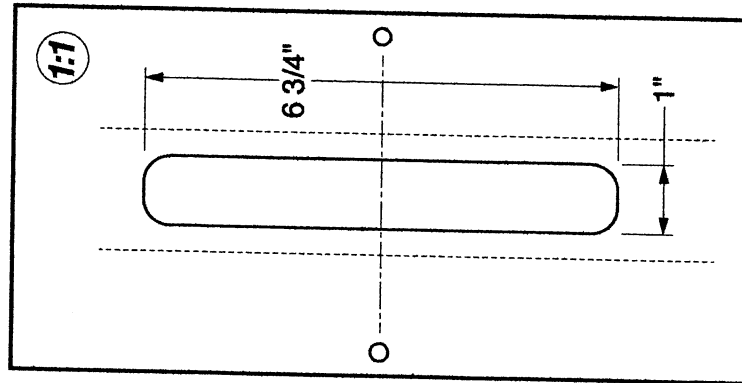
ROUTER: 1:1
GUIDE BUSHING: 3/4"
BIT: 3/4"
DEPTH: 3/32"



FB 458 Set

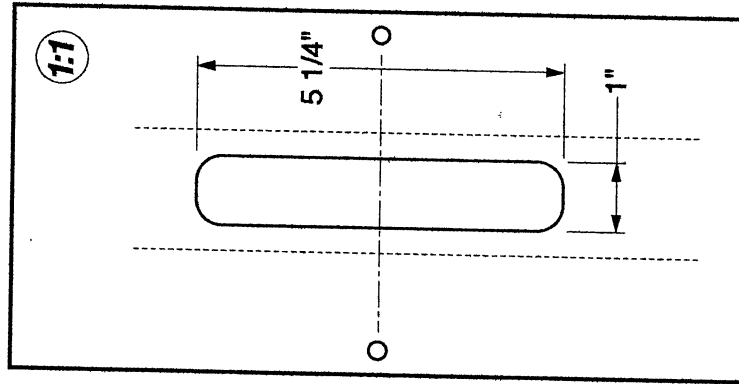
N-FB 458A

ROUTER: 1:1
GUIDE BUSHING: 3/4"
BIT: 3/4"
DEPTH: 1/8"



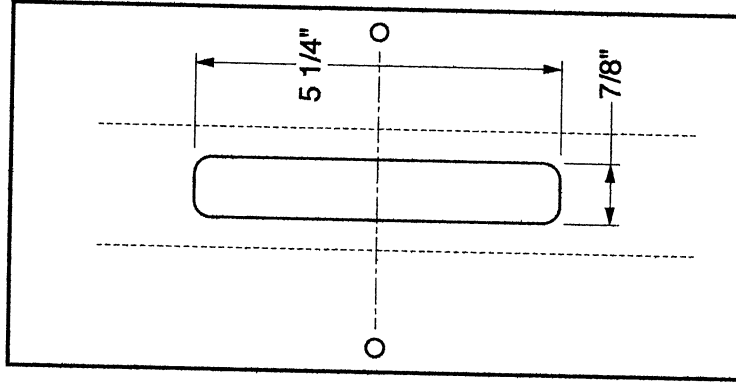
N-FB 458B

ROUTER: 1:1
GUIDE BUSHING: 3/4"
BIT: 3/4"
DEPTH: 3/16"



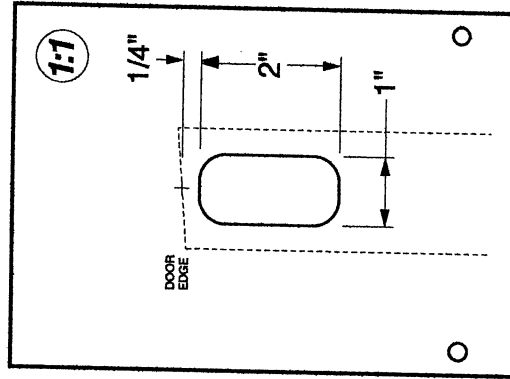
N-FB 458C

ROUTER: PLUNGE
GUIDE BUSHING: 13/16"
BIT: 1/2"
DEPTH: 1-3/16"



N-FB 458E

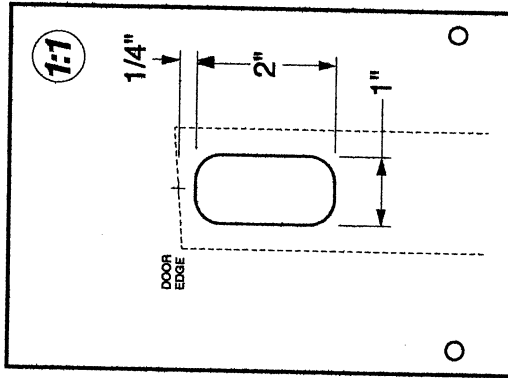
ROUTER: 1:1
GUIDE BUSHING: 3/4"
BIT: 3/4"
DEPTH: 3/32"



FB 555 Set

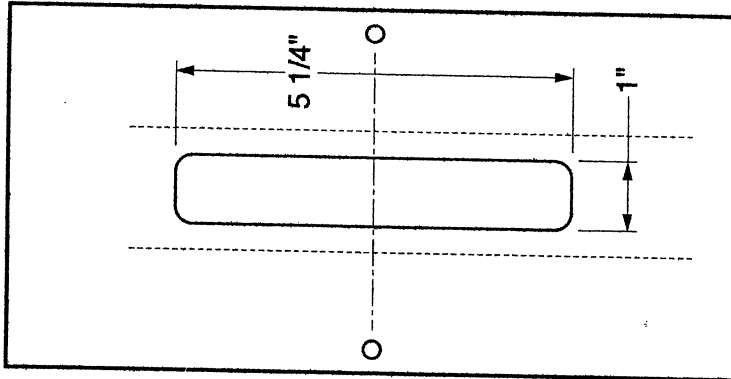
N-FB 555 E

ROUTER: 1:1
GUIDE BUSHING: 3/4"
BIT: 3/4"
DEPTH: 3/32"



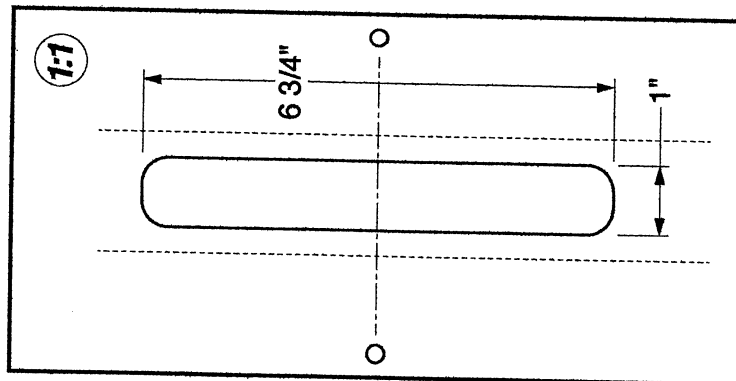
N-FB 555 B

ROUTER: PLUNGE
GUIDE BUSHING: 13/16"
BIT: 1/2"
DEPTH: 1-3/8"



N-FB 555 A

ROUTER: 1:1
GUIDE BUSHING: 3/4"
BIT: 3/4"
DEPTH: 1/8"

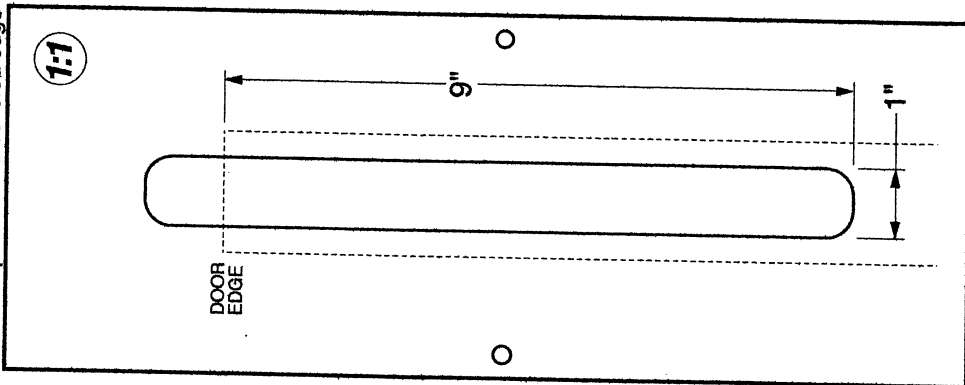


FB 556 Set

N-FB 556A

ROUTER: 1:1
GUIDE BUSHING: 3/4"
BIT: 3/4"
DEPTH: 1/8"

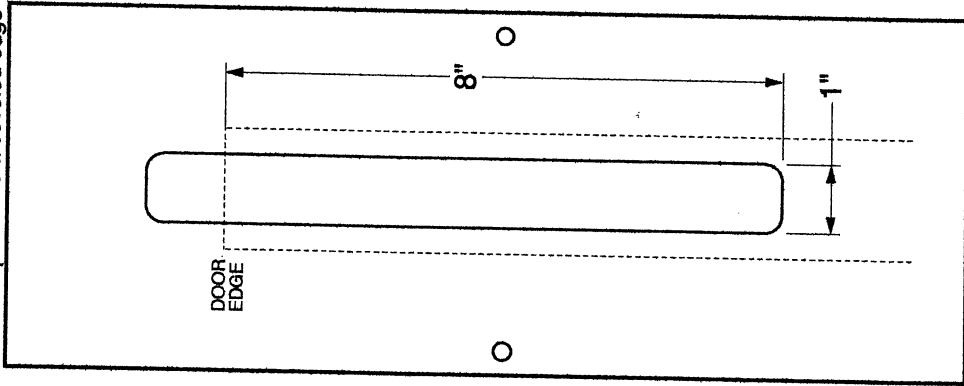
Routed square into a beveled edge



N-FB 556B

ROUTER: PLUNGE
GUIDE BUSHING: 13/16"
BIT: 1/2"
DEPTH: 1-3/8"

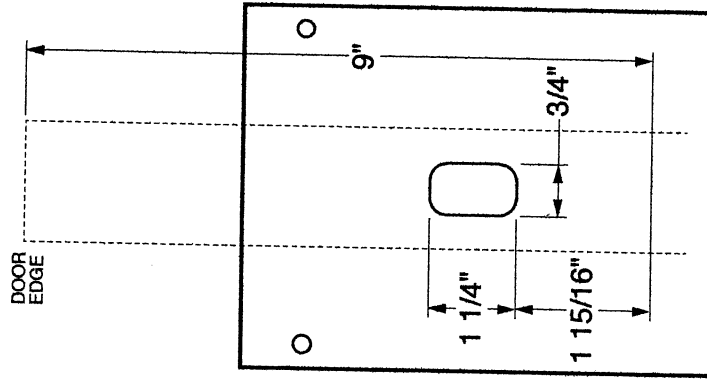
Routed square into a beveled edge



N-FB 556C

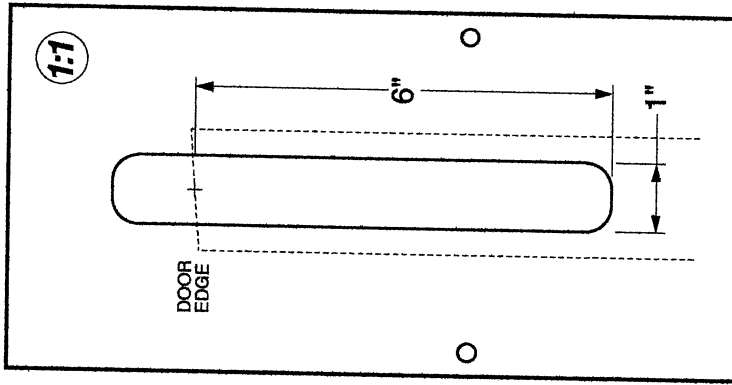
ROUTER: PLUNGE
GUIDE BUSHING: 13/16"
BIT: 1/2"
DEPTH: 1-5/8"

Routed square into a beveled edge



N-FB 556E

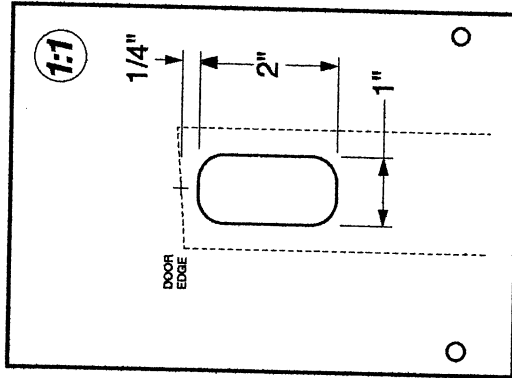
ROUTER: 1:1
GUIDE BUSHING: 3/4"
BIT: 3/4"
DEPTH: 1/8"



FB 560 Set

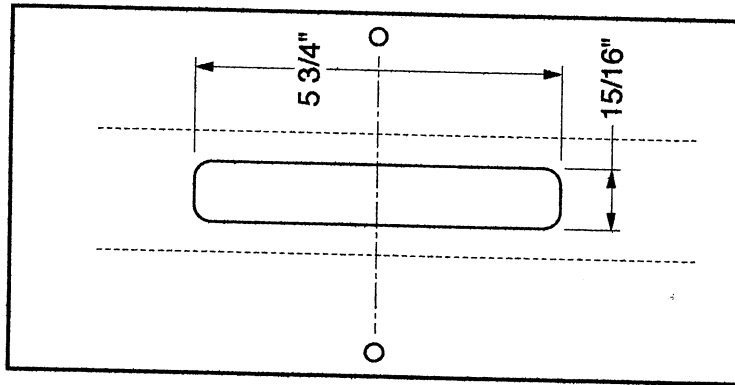
N-FB 560E

ROUTER: 1:1
GUIDE BUSHING: 3/4"
BIT: 3/4"
DEPTH: 3/32"



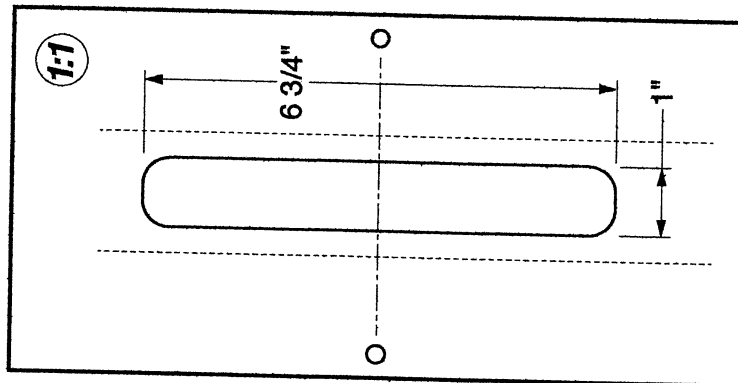
N-FB 560B

ROUTER: PLUNGE
GUIDE BUSHING: 13/16"
BIT: 1/2"
DEPTH: 1-1/4"



N-FB 560A

ROUTER: 1:1
GUIDE BUSHING: 3/4"
BIT: 3/4"
DEPTH: 1/8"

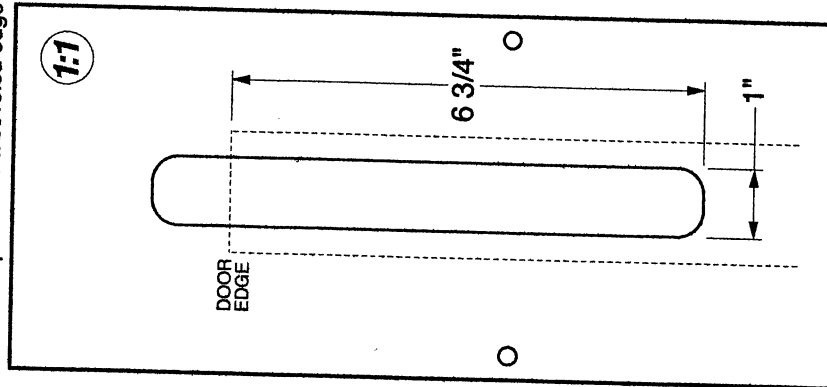


FB 790 Set

N-FB 790A

ROUTER: 1:1
GUIDE BUSHING: 3/4"
BIT: 3/4"
DEPTH: 1/8"

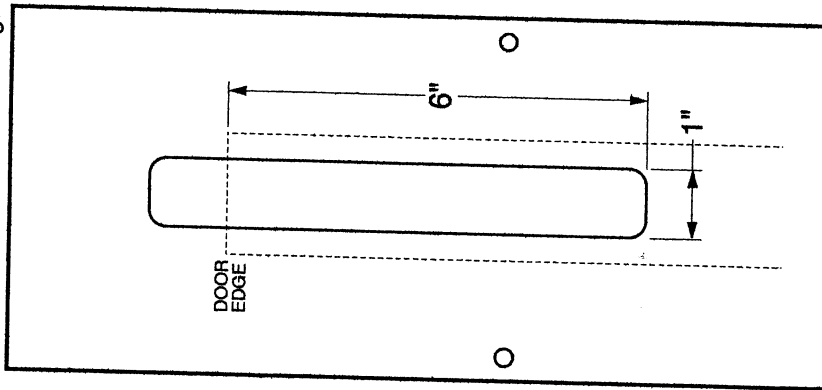
Routed square into a beveled edge



N-FB 790B

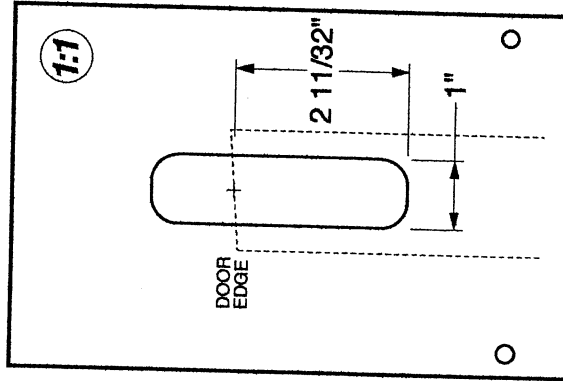
ROUTER: PLUNGE
GUIDE BUSHING: 13/16"
BIT: 1/2"
DEPTH: 1-1/8"

Routed square into a beveled edge



N-FB 790E

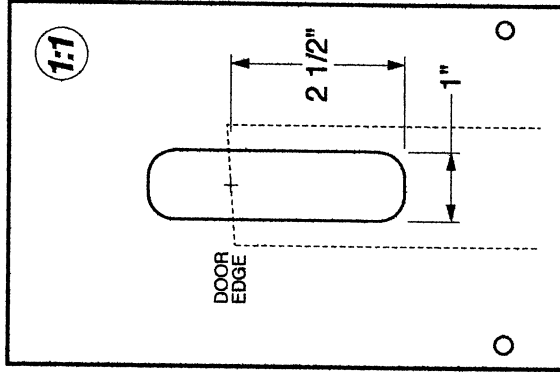
ROUTER: 1:1
GUIDE BUSHING: 3/4"
BIT: 3/4"
DEPTH: 3/32"



FB 815 Set

N-FB 815E

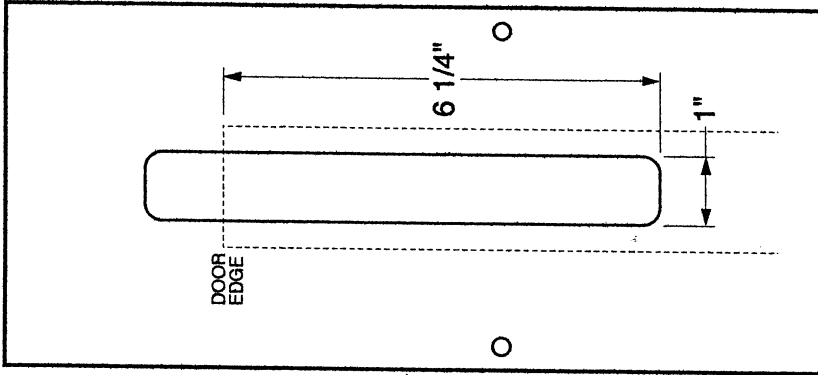
ROUTER: 1:1
GUIDE BUSHING: 3/4"
BIT: 3/4"
DEPTH: 1/16"



N-FB 815B

ROUTER: PLUNGE
GUIDE BUSHING: 13/16"
BIT: 1/2"
DEPTH: 2"

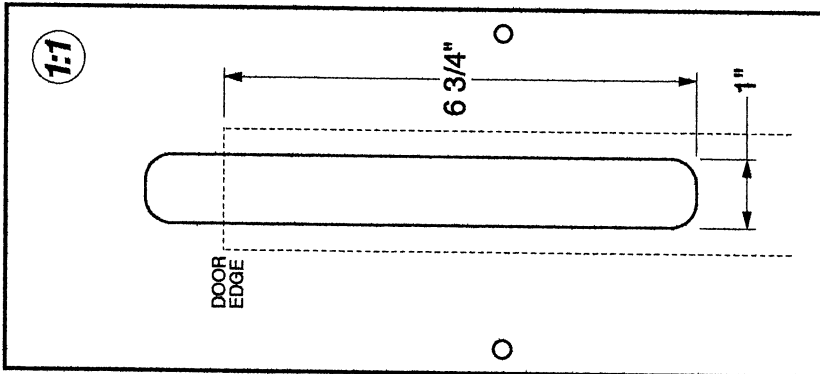
Routed square into a beveled edge



N-FB 815A

ROUTER: 1:1
GUIDE BUSHING: 3/4"
BIT: 3/4"
DEPTH: 1/8"

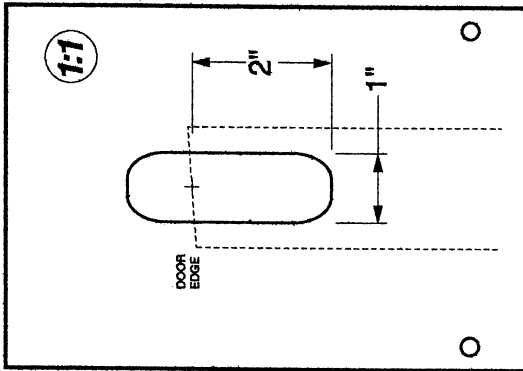
Routed square into a beveled edge



FB 916 Set

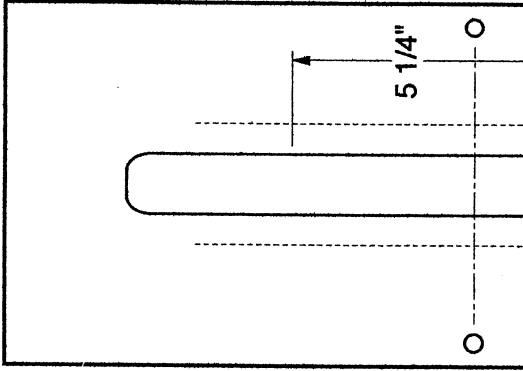
N-FB 916A

ROUTER: 1:1
 GUIDE BUSHING: 3/4"
 BIT: 3/4"
 DEPTH: 1/8"



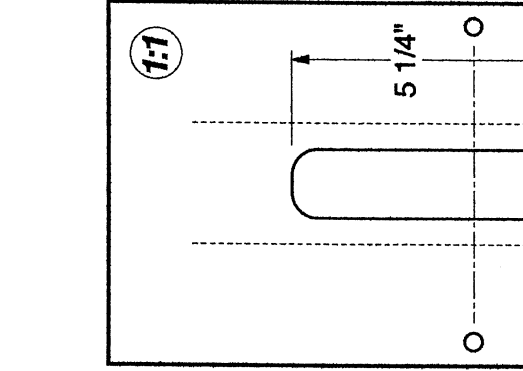
N-FB 916B

ROUTER: 1:1
 GUIDE BUSHING: 3/4"
 BIT: 3/4"
 DEPTH: 3/16"



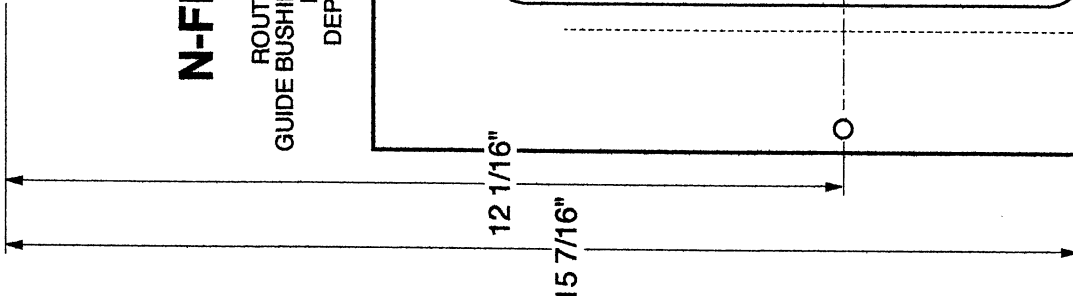
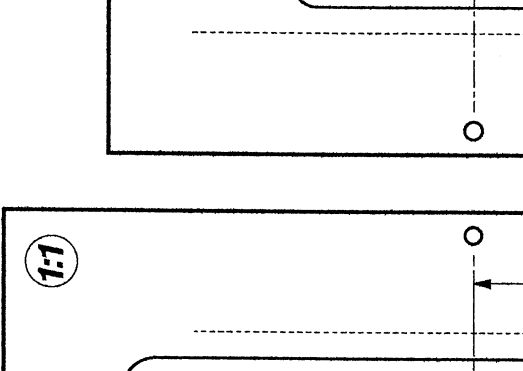
N-FB 916C

ROUTER: 1:1
 GUIDE BUSHING: 3/4"
 BIT: 3/4"
 DEPTH: 3/16"



N-FB 916E

ROUTER: 1:1
 GUIDE BUSHING: 3/4"
 BIT: 3/4"
 DEPTH: 3/32"



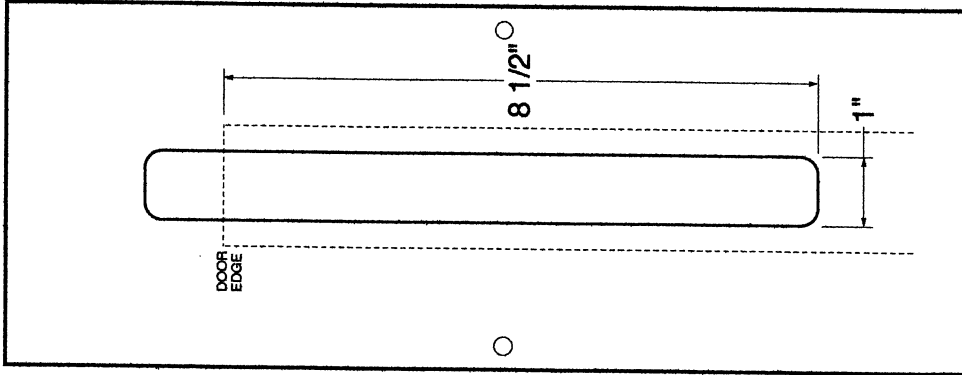
For patterns A, B and C, align the templates to a centerline marked 12-1/16" from the top or bottom of the door.
 For patterns A, and C, slide the base to the end of the door to complete the full mortise length.

FB 940 Set

N-FB 940 A

ROUTER: PLUNGE
GUIDE BUSHING: 13/16"
BIT: 1/2"
DEPTH: 1/8"

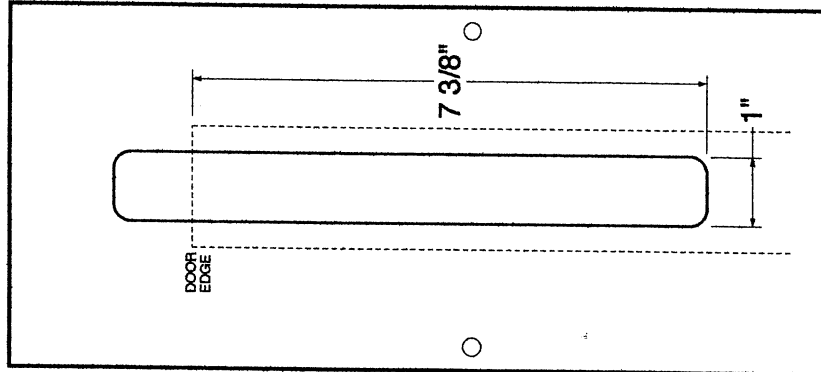
Routed square into a beveled edge
1/4" Radius corners, No Depth Control



N-FB 940 B

ROUTER: PLUNGE
GUIDE BUSHING: 13/16"
BIT: 1/2"
DEPTH: 2"

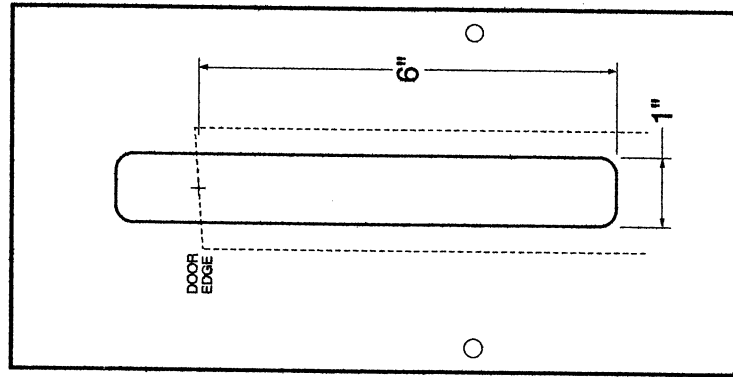
Routed square into a beveled edge



N-FB 940 E

ROUTER: PLUNGE
GUIDE BUSHING: 13/16"
BIT: 1/2"
DEPTH: 1/8"

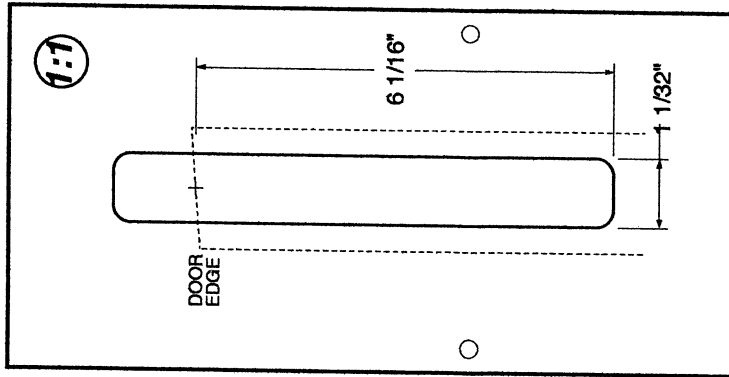
1/4" Radius corners, No Depth Control



FB 945 Set

N-FB 945 E

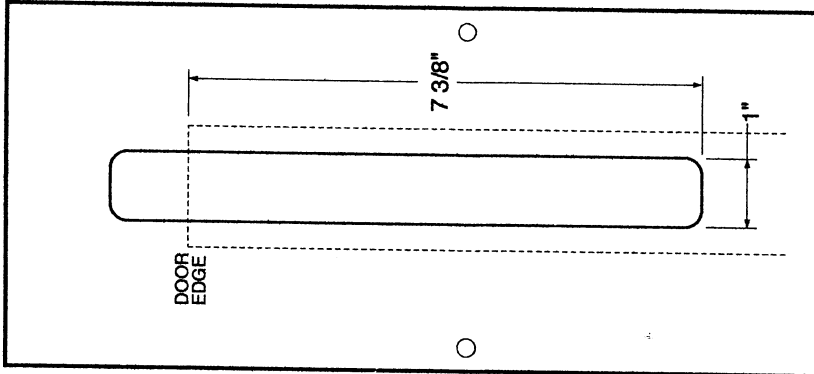
ROUTER: 1:1 ROUTER
GUIDE BUSHING: 3/4"
BIT: 3/4"
DEPTH: 1/8"



N-FB 945 B

ROUTER: PLUNGE
GUIDE BUSHING: 13/16"
BIT: 1/2"
DEPTH: 2"

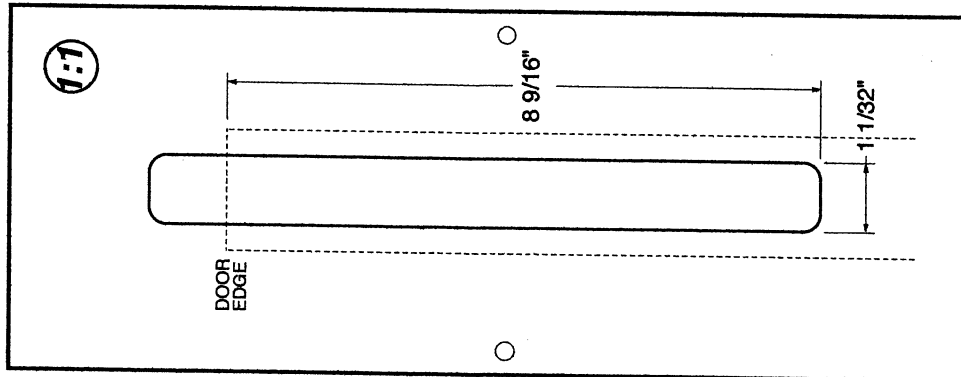
Routed square into a beveled edge



N-FB 945 A

ROUTER: 1:1 ROUTER
GUIDE BUSHING: 3/4"
BIT: 3/4"
DEPTH: 1/8"

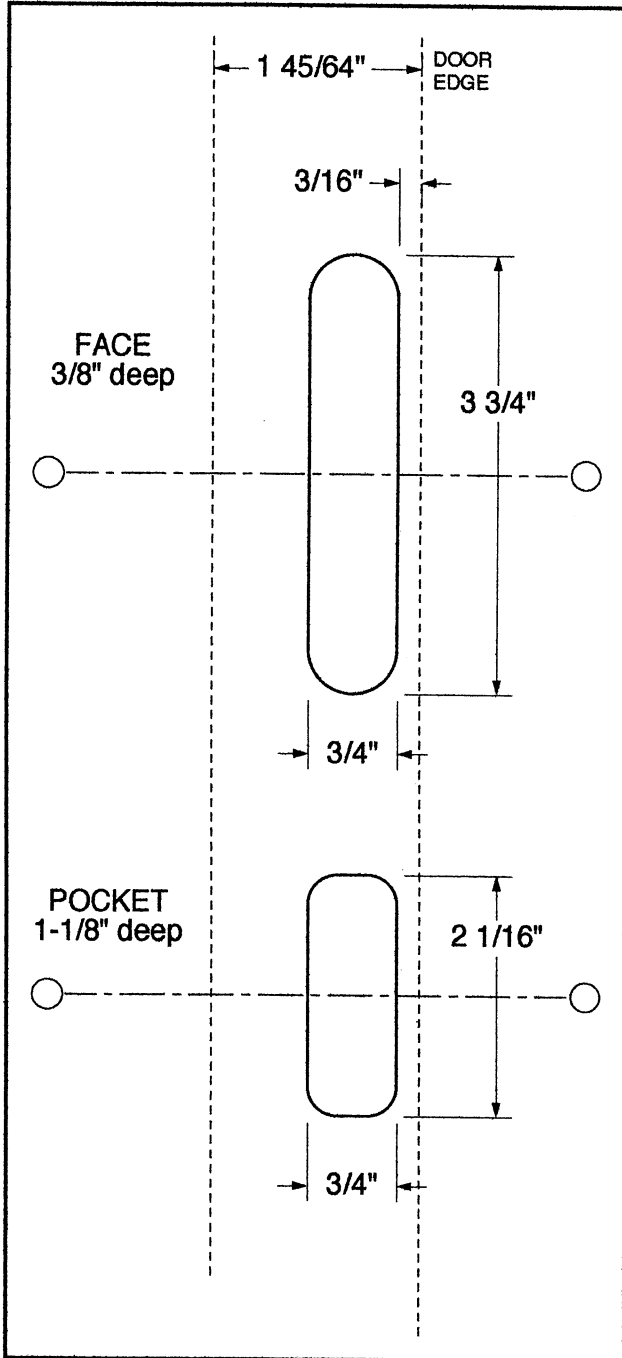
Routed square into a beveled edge



HINGES

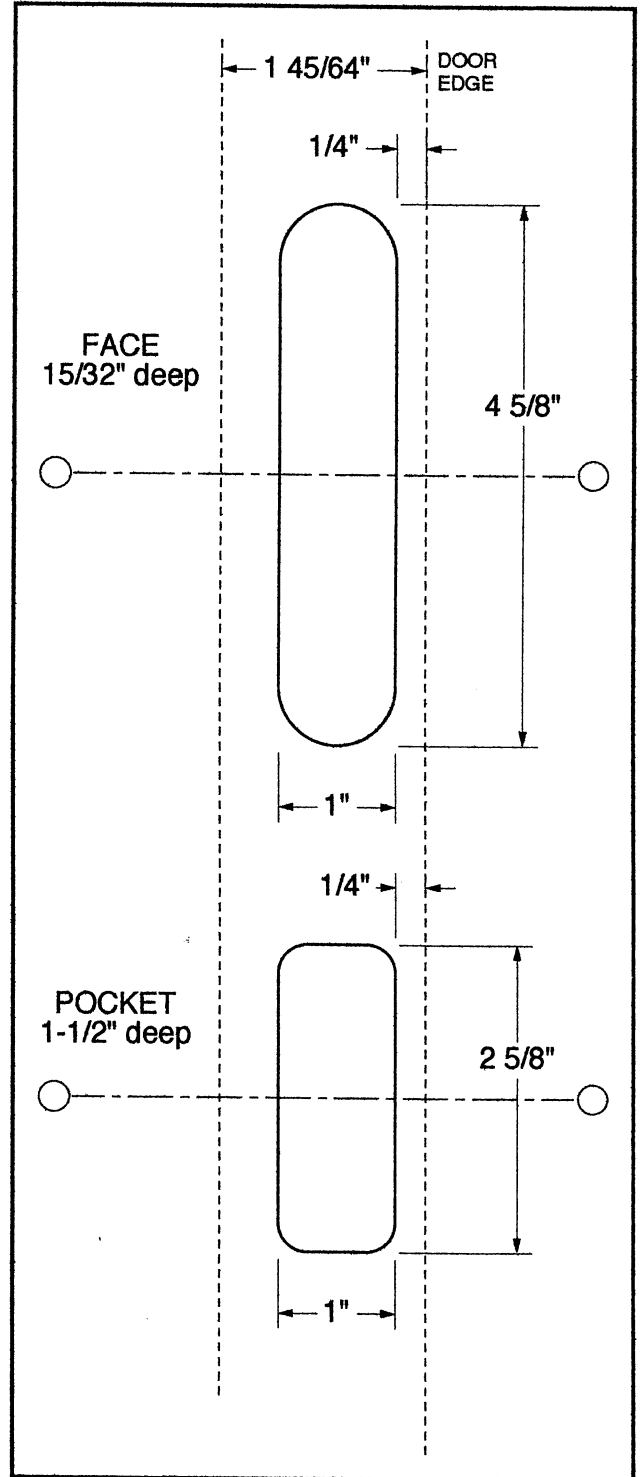
ROUTER: PLUNGE
GUIDE BUSHING: 13/16"
BIT: 1/2"

N-H 212



ROUTER: PLUNGE
GUIDE BUSHING: 13/16"
BIT: 1/2"

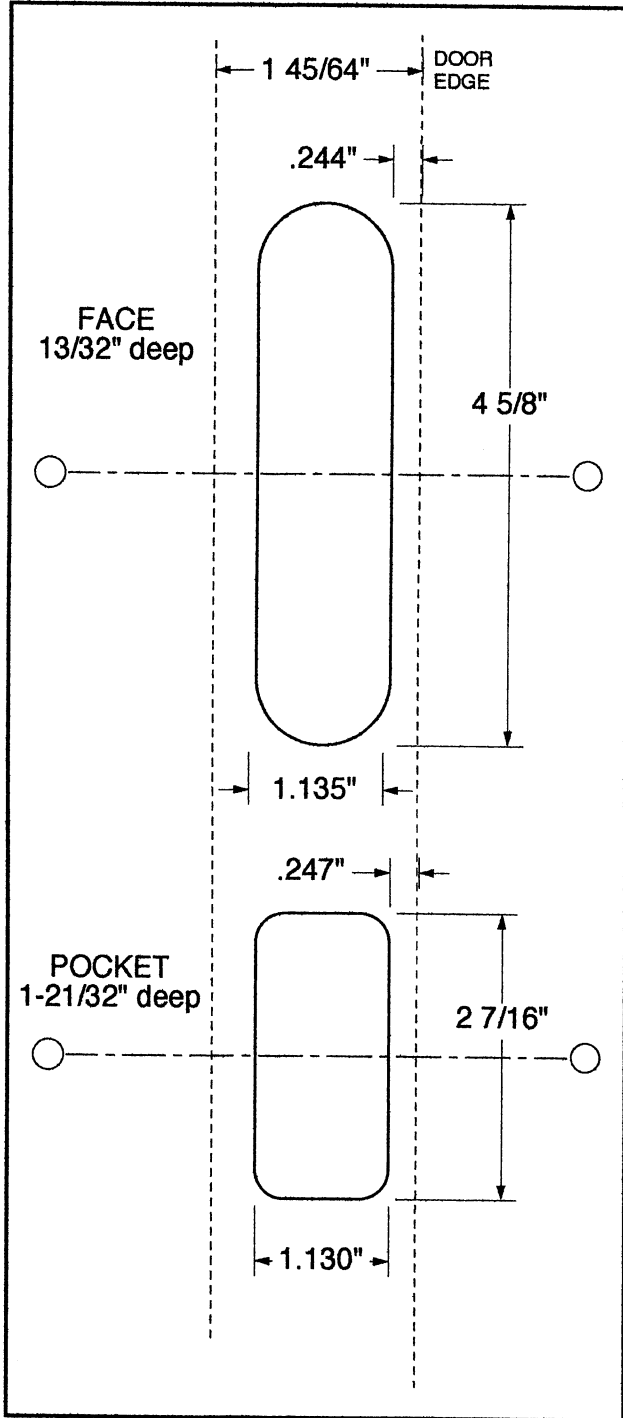
N-H 216



HINGES

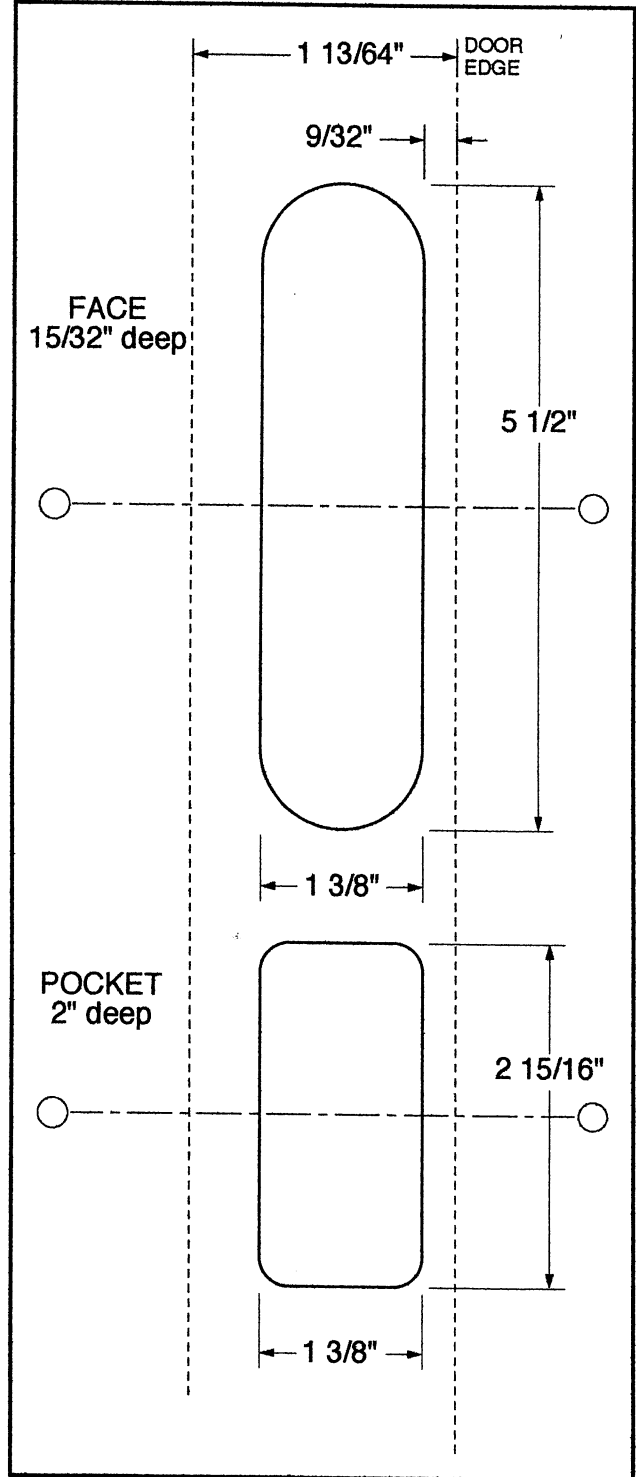
ROUTER: PLUNGE
GUIDE BUSHING: 13/16"
BIT: 1/2"

N-H 218



ROUTER: PLUNGE
GUIDE BUSHING: 13/16"
BIT: 1/2"

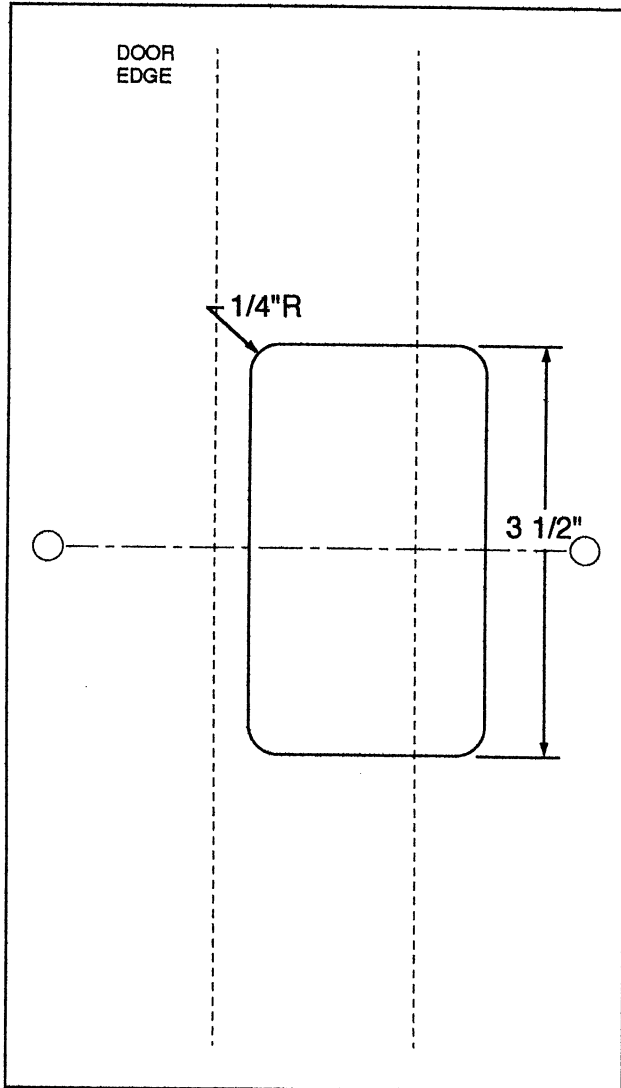
N-H 220



HINGES

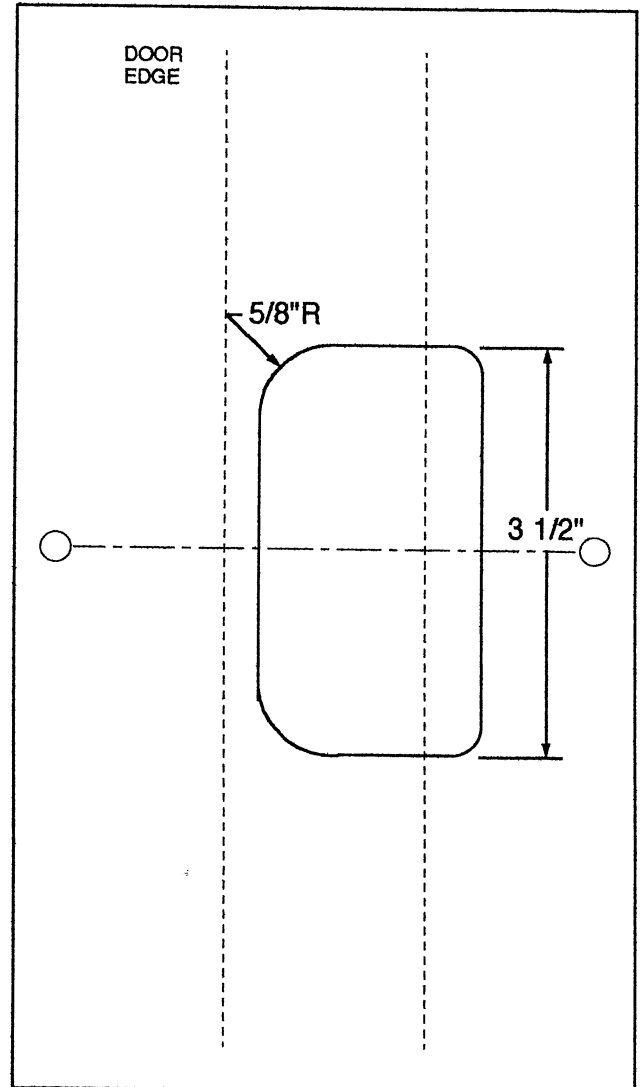
N-H 350

ROUTER: PLUNGE
GUIDE BUSHING: 13/16"
BIT: 1/2"



N-H 351

ROUTER: PLUNGE
GUIDE BUSHING: 13/16"
BIT: 1/2"

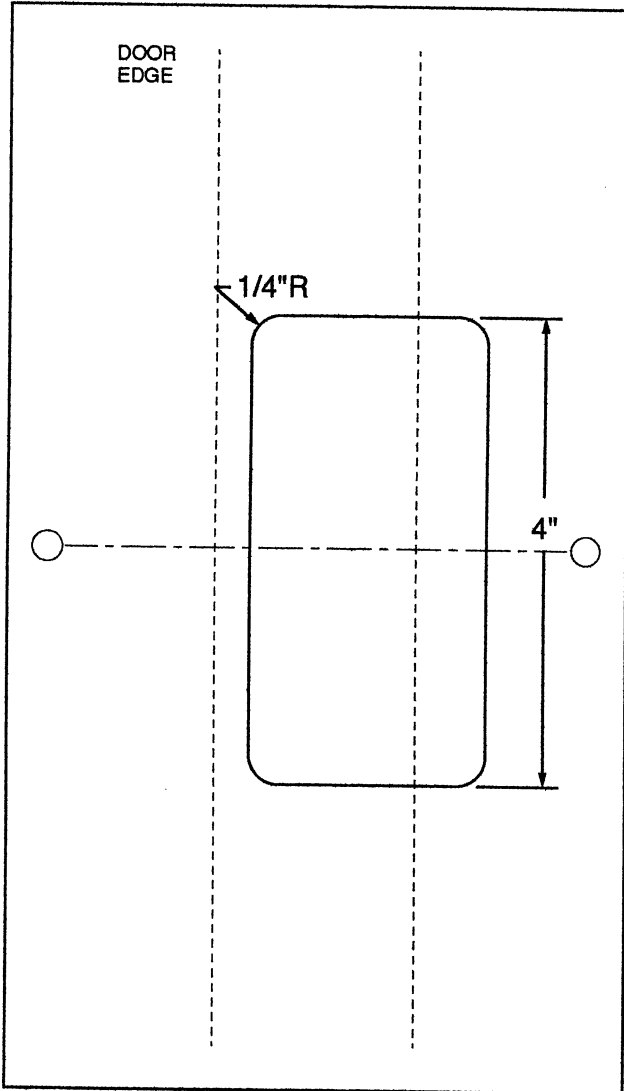


2-11-97

HINGES

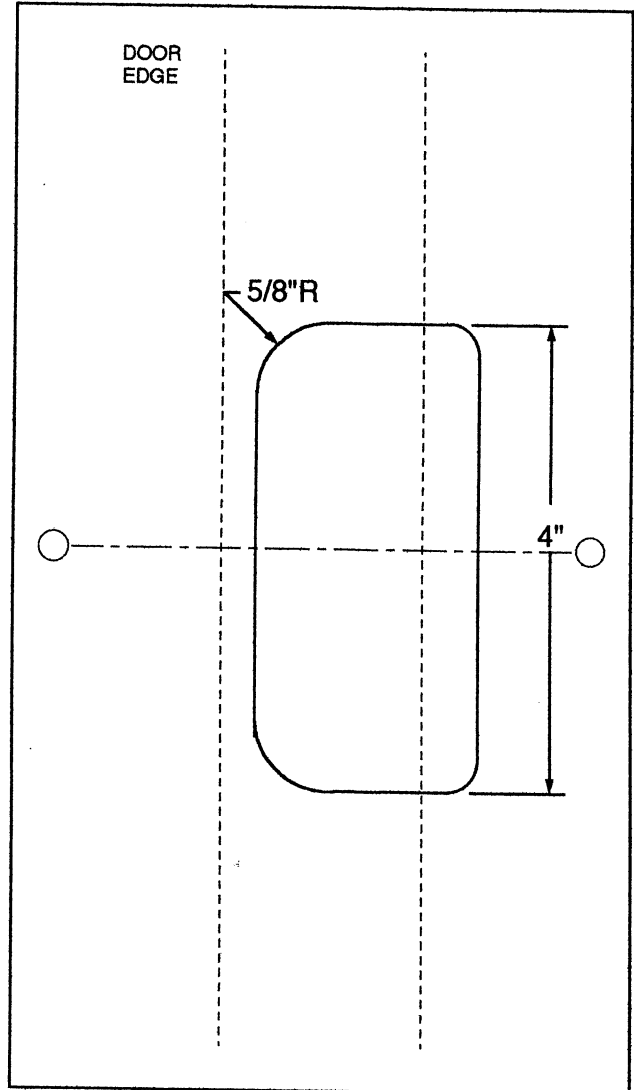
N-H 400

ROUTER: PLUNGE
GUIDE BUSHING: 13/16"
BIT: 1/2"



N-H 401

ROUTER: PLUNGE
GUIDE BUSHING: 13/16"
BIT: 1/2"

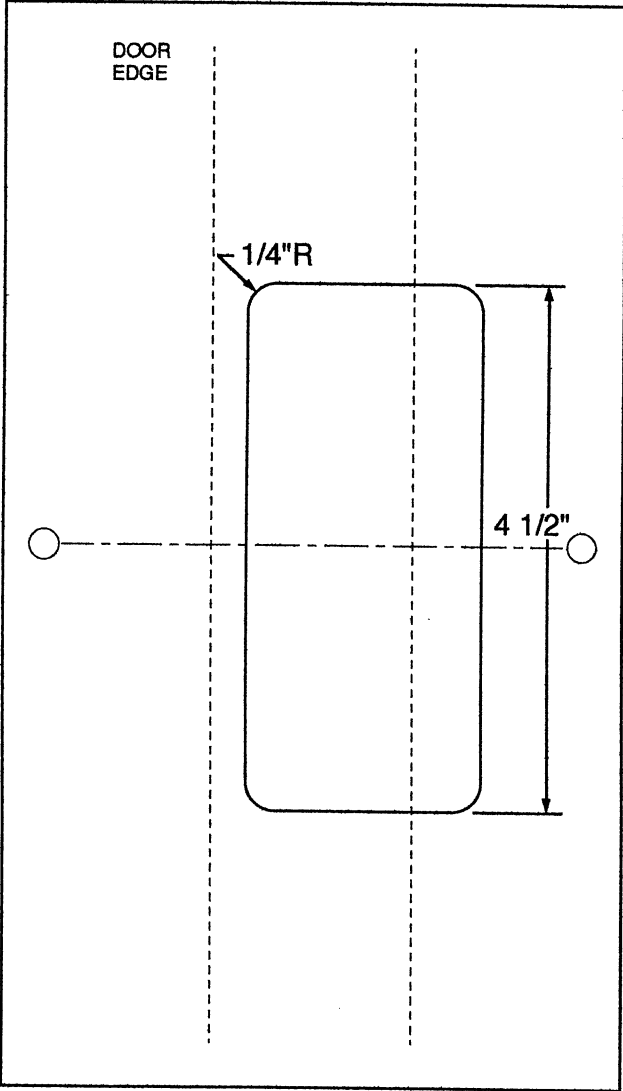


2-11-97

HINGES

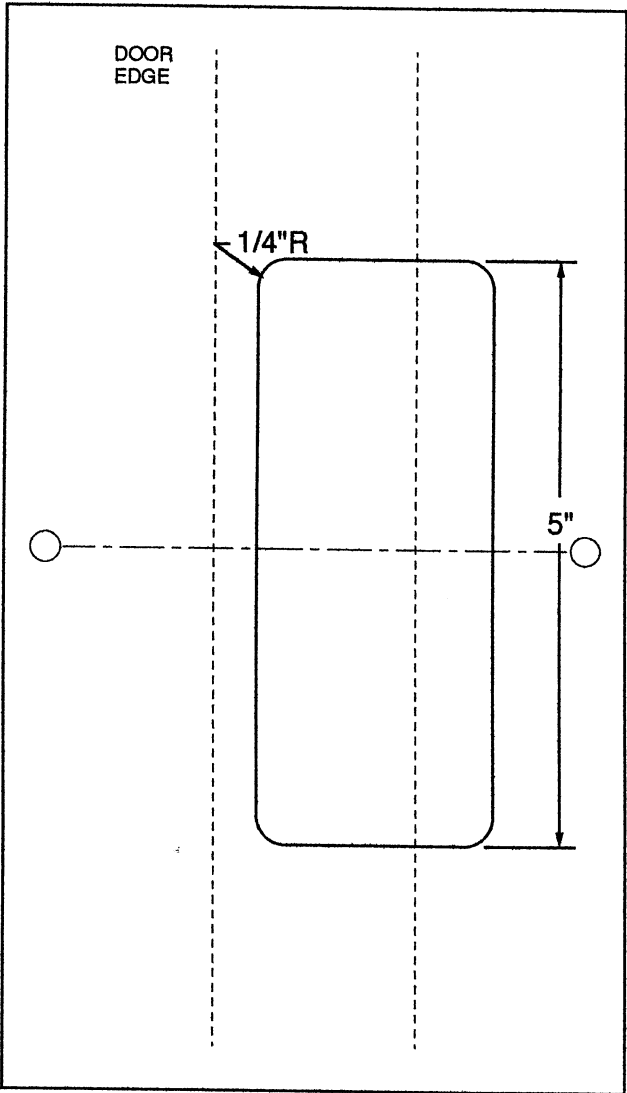
N-H 450

ROUTER: PLUNGE
GUIDE BUSHING: 13/16"
BIT: 1/2"



N-H 500

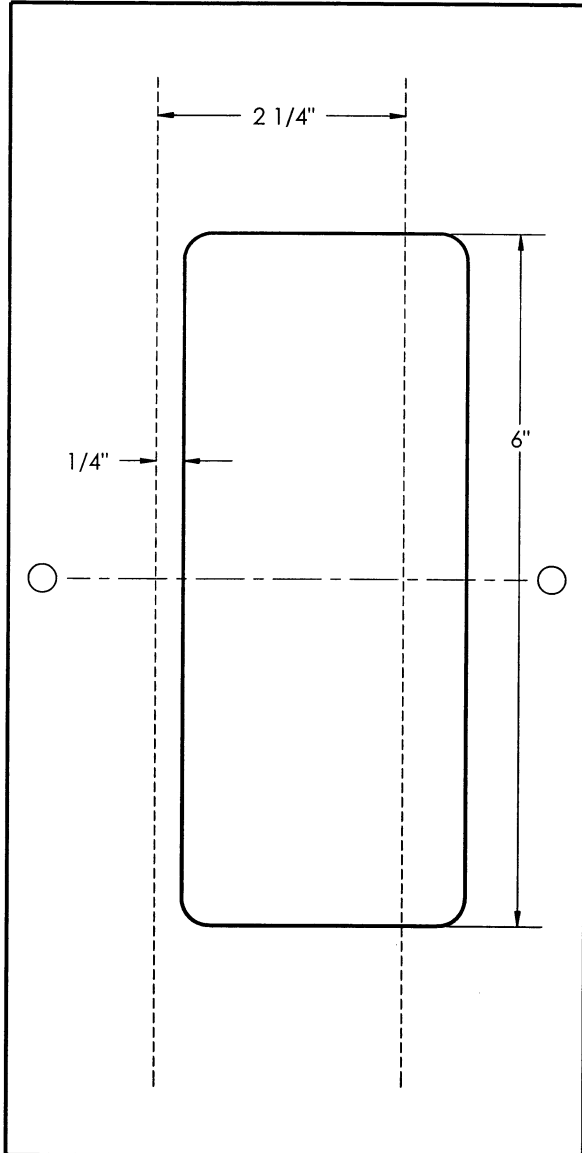
ROUTER: PLUNGE
GUIDE BUSHING: 13/16"
BIT: 1/2"



2-11-97

N-H 600

ROUTER: PLUNGE
GUIDE BUSHING: 13/16"
BIT: 1/2"



Do not scale drawings.
Actual cutting dimensions are shown. Template dimensions are adjusted for router Guide-Bit difference.
Compare these drawings to manufacturer's template drawings to confirm:

1. which portions of these templates apply;
2. relation of shown centerlines to those in manufacturer's template drawings or hardware;
3. correctness of dimensions.

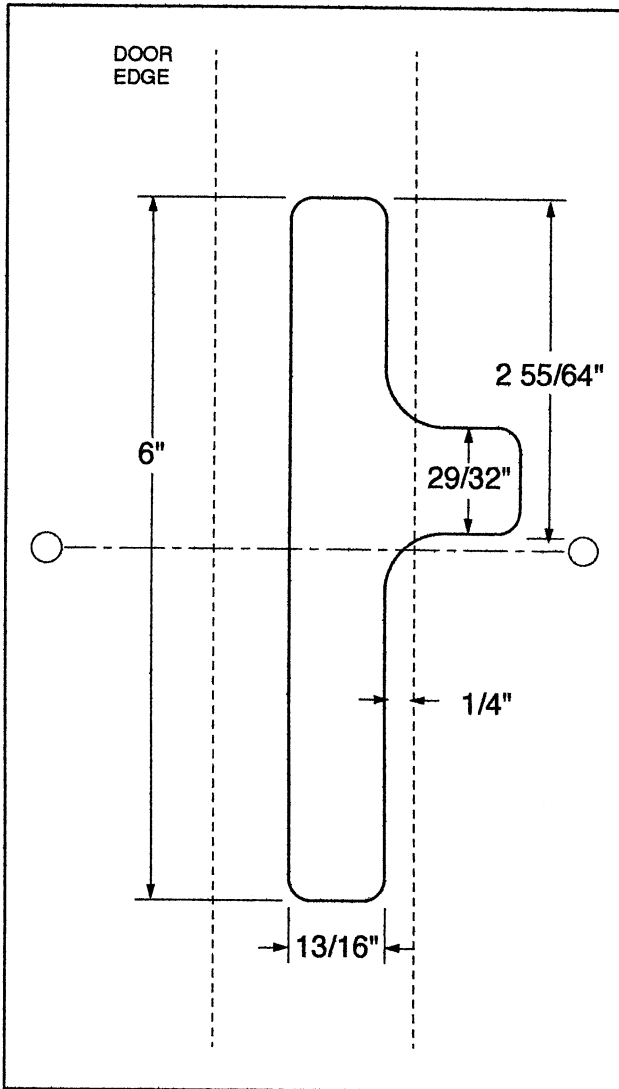
6/13/03

HINGES

13/64" deep

N-H 602

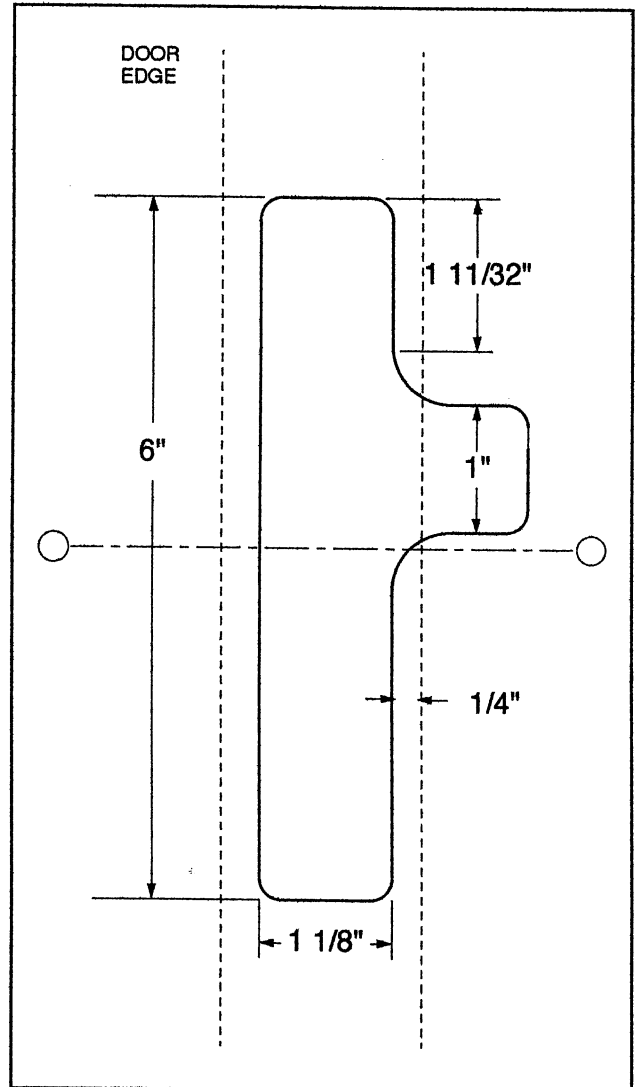
ROUTER: PLUNGE
GUIDE BUSHING: 13/16"
BIT: 1/2"



15/64" deep

N-H 603

ROUTER: PLUNGE
GUIDE BUSHING: 13/16"
BIT: 1/2"



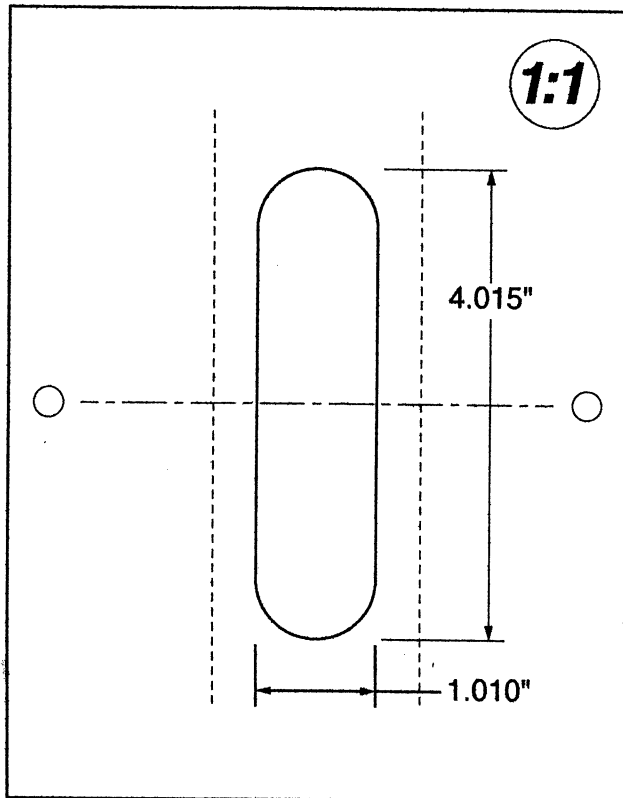
11-25-94

LABELS

1/16" deep

N-LB 01

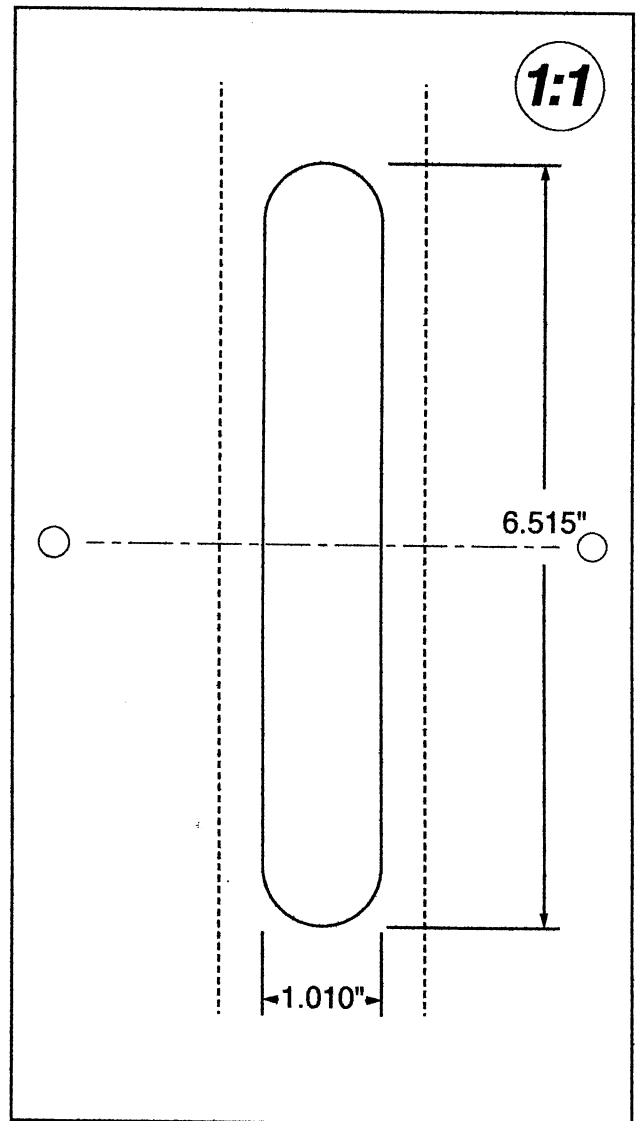
ROUTER: 1:1
GUIDE BUSHING: 3/4"
BIT: 3/4"

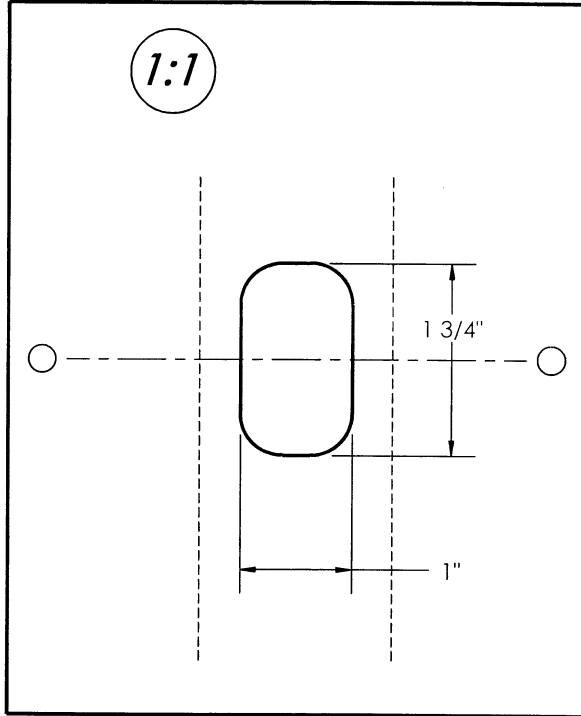


1/16" deep

N-LB 02

ROUTER: 1:1
GUIDE BUSHING: 3/4"
BIT: 3/4"



1/8" deep**N-L 210****ROUTER: 1:1**
GUIDE BUSHING: 3/4"
BIT: 3/4"

Do not scale drawings.
Actual cutting dimensions are shown. Template dimensions are adjusted for router Guide-Bit difference.
Compare these drawings to manufacturer's template drawings to confirm:

1. which portions of these templates apply;
2. relation of shown centerlines to those in manufacturer's template drawings or hardware;
3. correctness of dimensions.

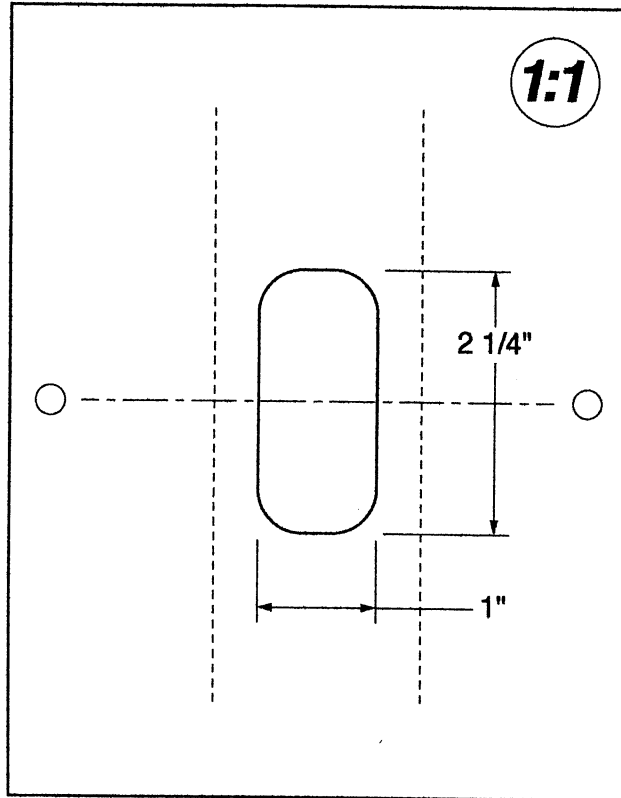
6/04/03

LATCH MORTISES

5/32" deep

N-L 211

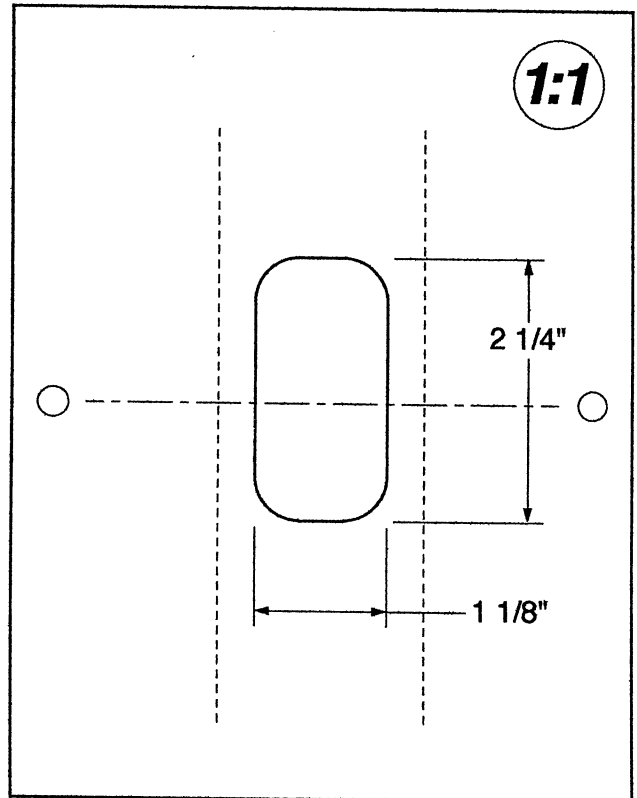
ROUTER: 1:1
GUIDE BUSHING: 3/4"
BIT: 3/4"



5/32" deep

N-L 212

ROUTER: 1:1
GUIDE BUSHING: 3/4"
BIT: 3/4"

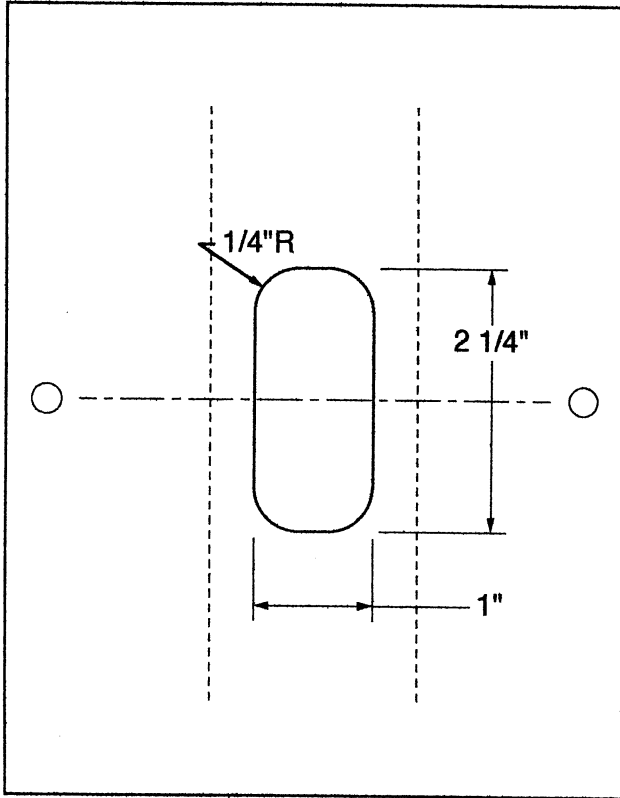


LATCH MORTISES

5/64" deep

N-L 213

ROUTER: *PLUNGE*
GUIDE BUSHING: 13/16"
BIT: 1/2"

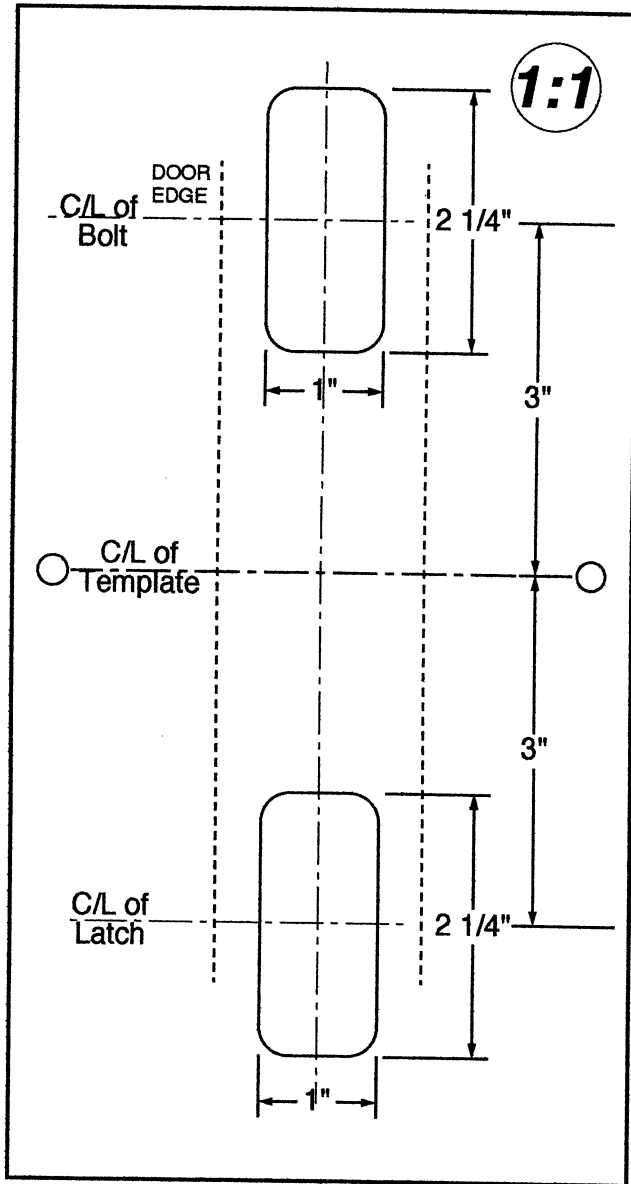


LATCH MORTISES

1/8" deep

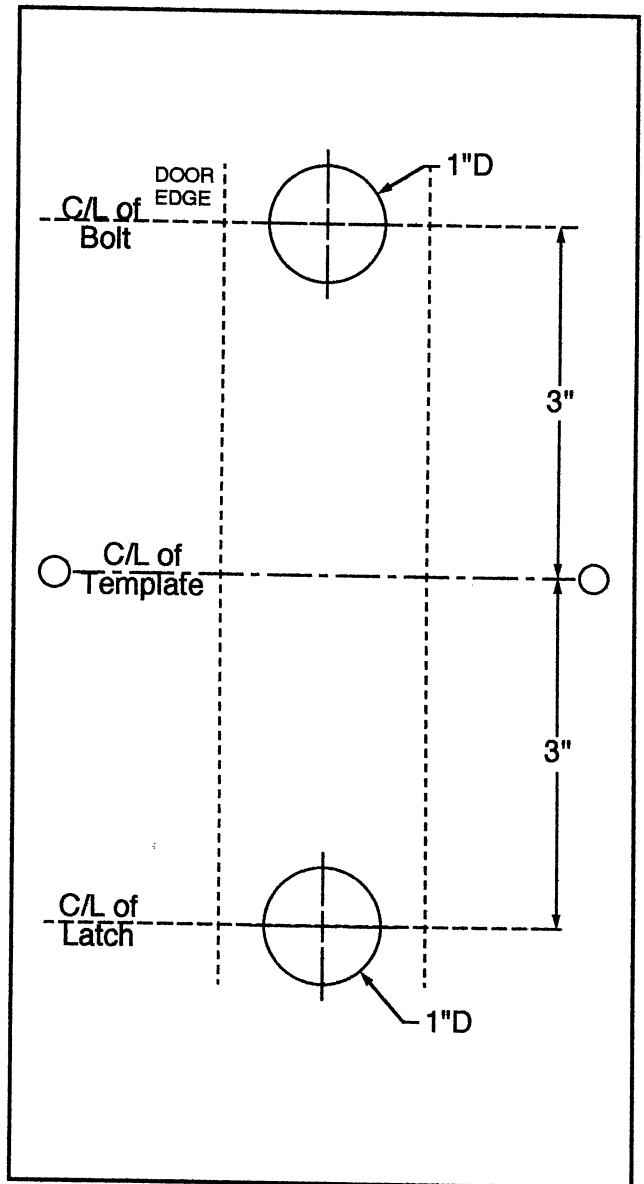
N-L 214

ROUTER: 1:1
GUIDE BUSHING: 3/4"
BIT: 3/4"



N-L 215

ROUTER: PLUNGE
GUIDE BUSHING: 13/16"
BIT: 1/2"

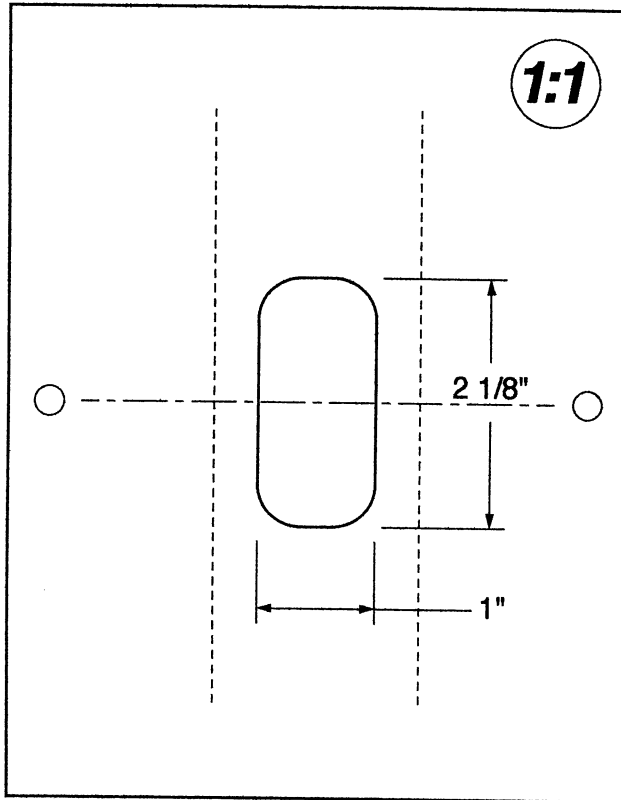


LATCH MORTISES

5/32" deep

N-L 216

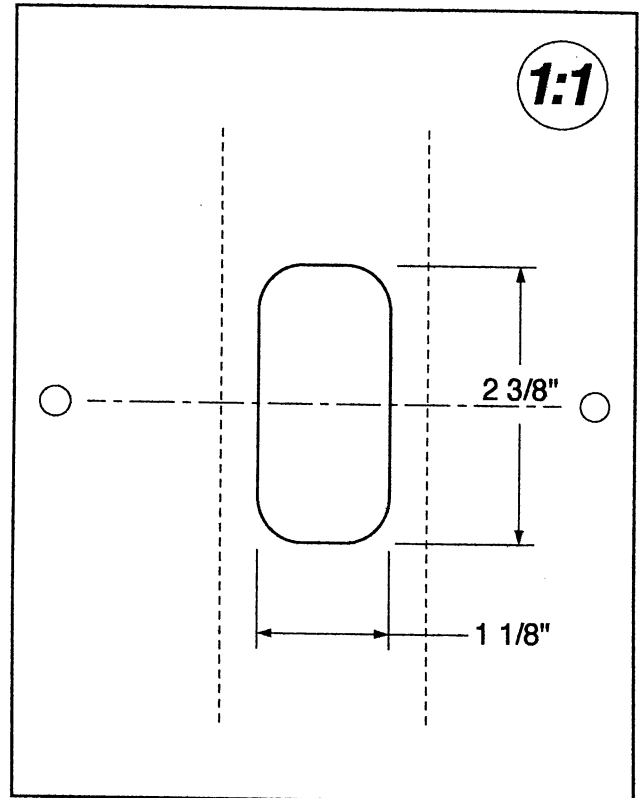
ROUTER: 1:1
GUIDE BUSHING: 3/4"
BIT: 3/4"



5/32" deep

N-L 217

ROUTER: 1:1
GUIDE BUSHING: 3/4"
BIT: 3/4"



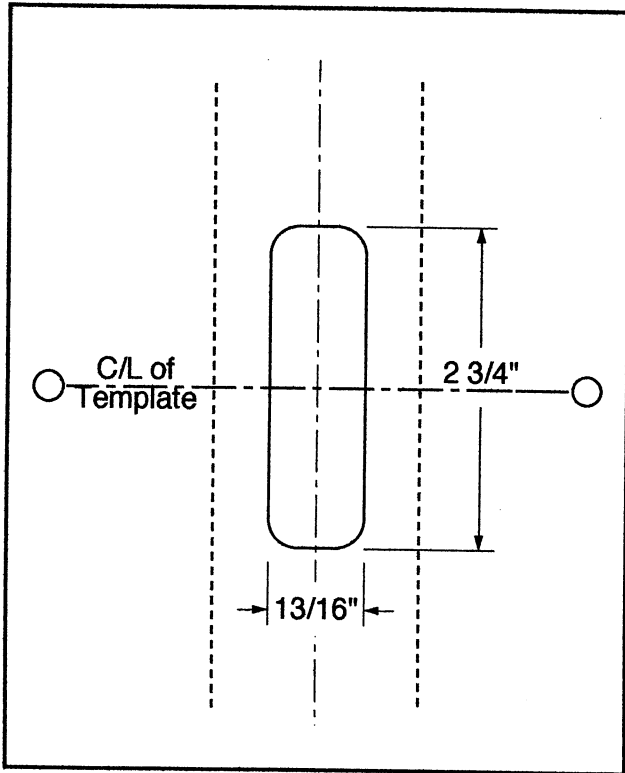
3-20-01

© 2001, Door Technologies Inc.

LATCH MORTISES

N-L 220

ROUTER: Plunge
GUIDE BUSHING: 13/16"
BIT: 1/2"



11-9-00

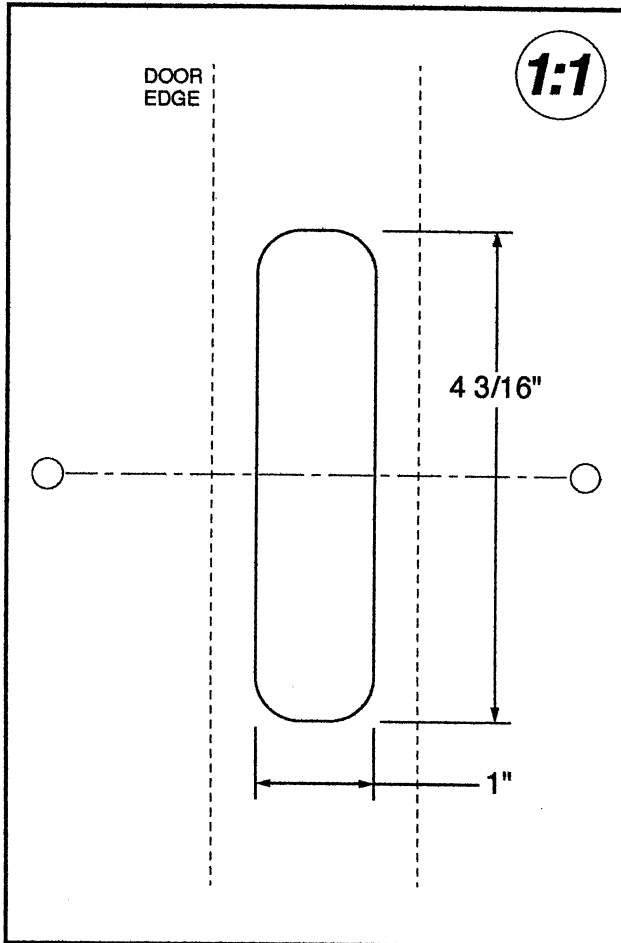
© 2000, Door Technologies Inc.

LATCH MORTISES

3/16" deep

N-L 410

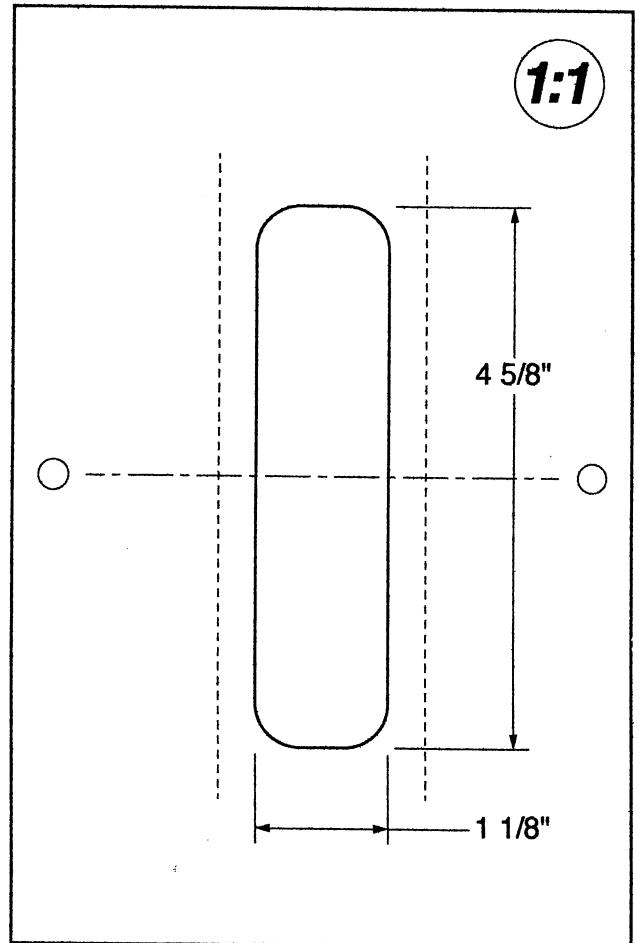
ROUTER: 1:1
GUIDE BUSHING: 3/4"
BIT: 3/4"



3/16" deep

N-L 411

ROUTER: 1:1
GUIDE BUSHING: 3/4"
BIT: 3/4"

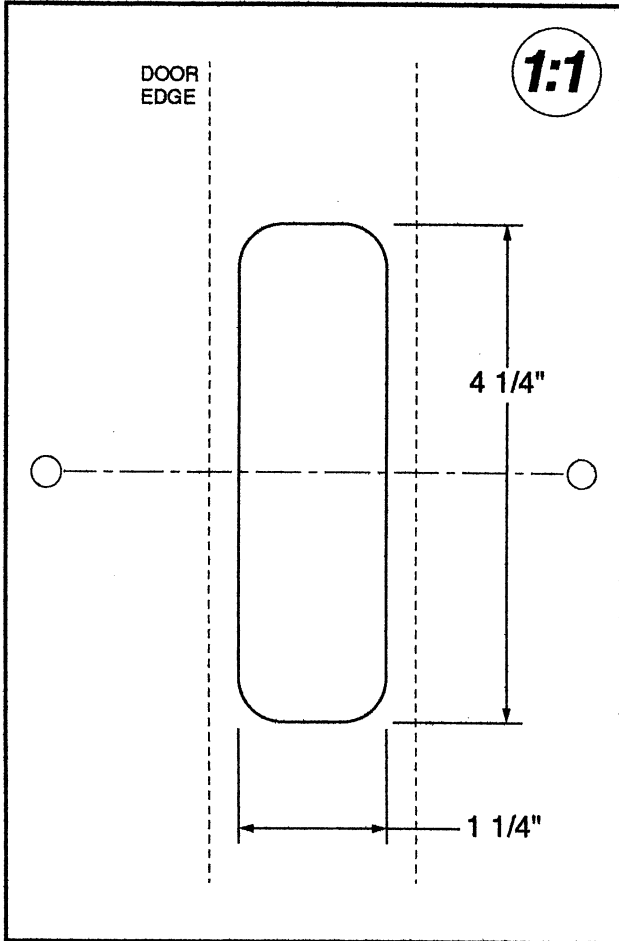


LATCH MORTISES

3/16" deep

N-L 412

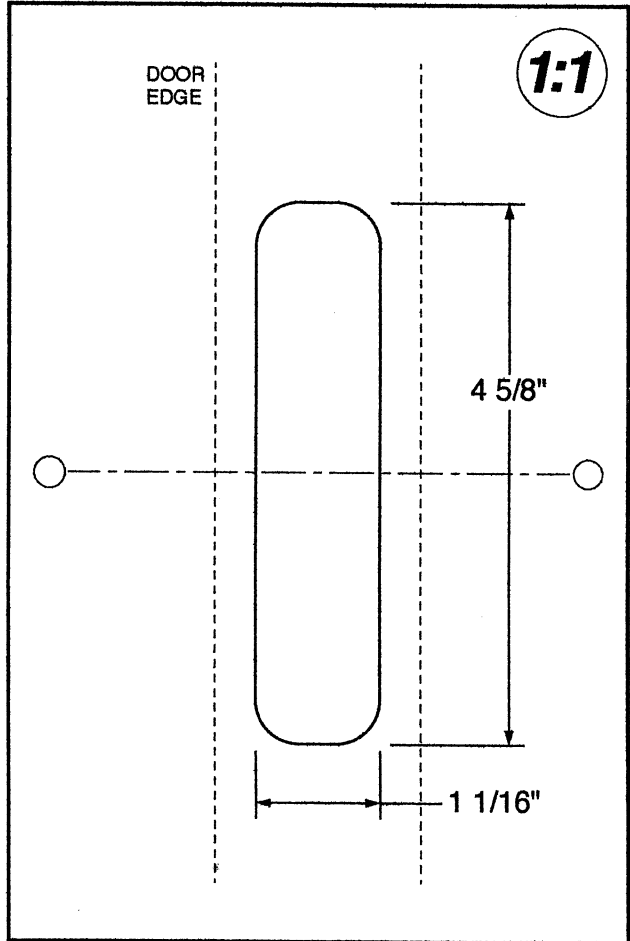
ROUTER: 1:1
GUIDE BUSHING: 3/4"
BIT: 3/4"



15/64" deep

N-L 414

ROUTER: 1:1
GUIDE BUSHING: 3/4"
BIT: 3/4"

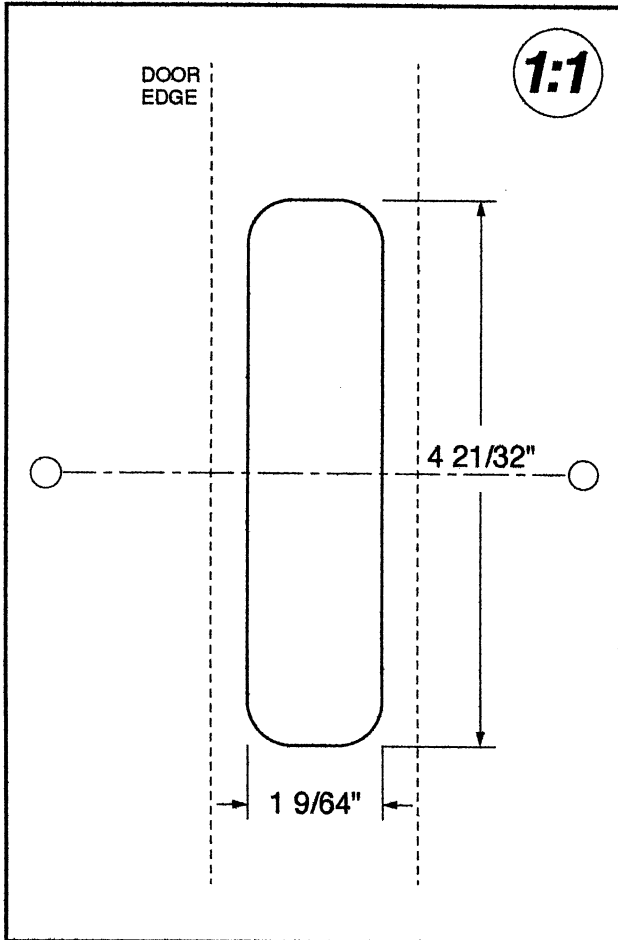


LATCH MORTISES

3/16" deep

N-L 416

ROUTER: 1:1
GUIDE BUSHING: 3/4"
BIT: 3/4"

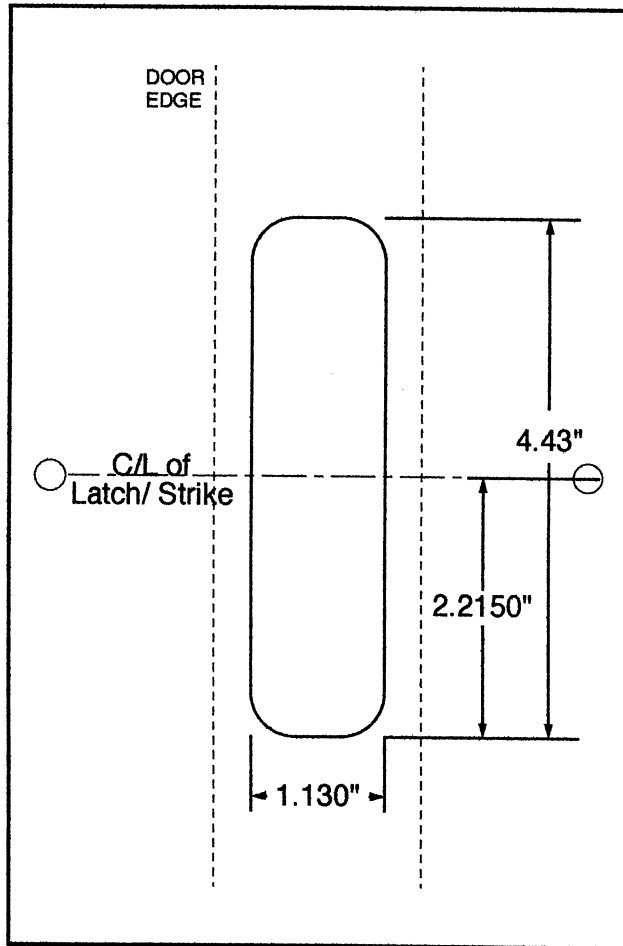


LATCH MORTISES

9/32" deep

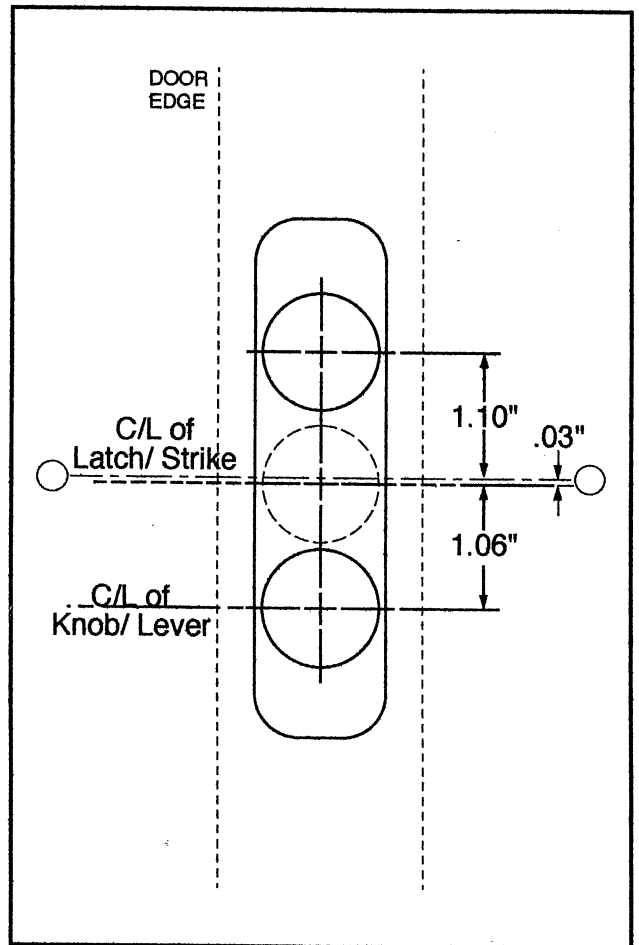
N-L 418A

ROUTER: Plunge
GUIDE BUSHING: 13/16"
BIT: 1/2"



N-L 418B

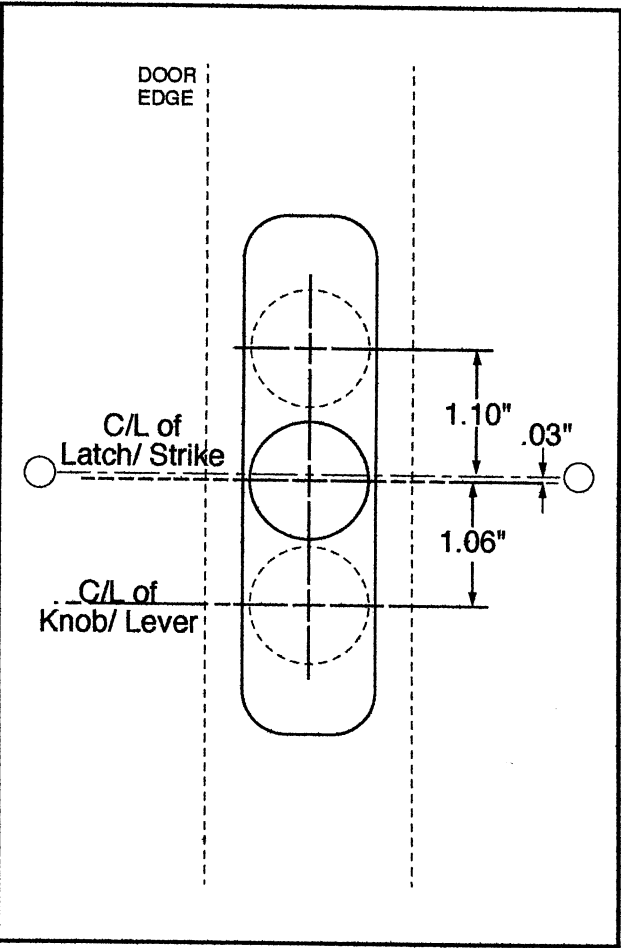
ROUTER: Plunge
GUIDE BUSHING: 3/4"
BIT: 3/4"



LATCH MORTISES

N-L 418C

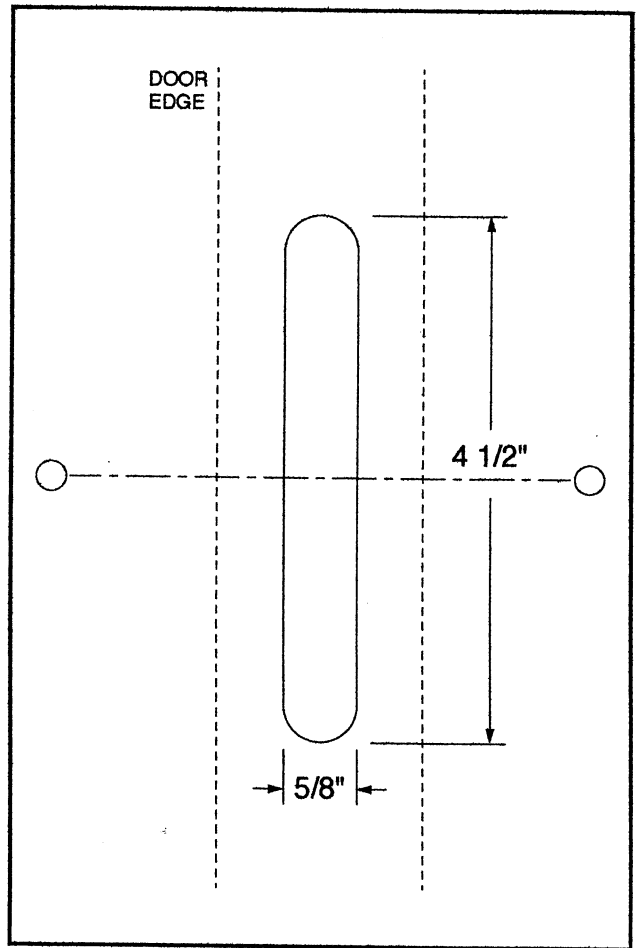
ROUTER: Plunge
GUIDE BUSHING: 3/4"
BIT: 3/4"



LATCH MORTISES

ROUTER: Plunge
GUIDE BUSHING: 3/4"
BIT: 3/4"

N-L 420

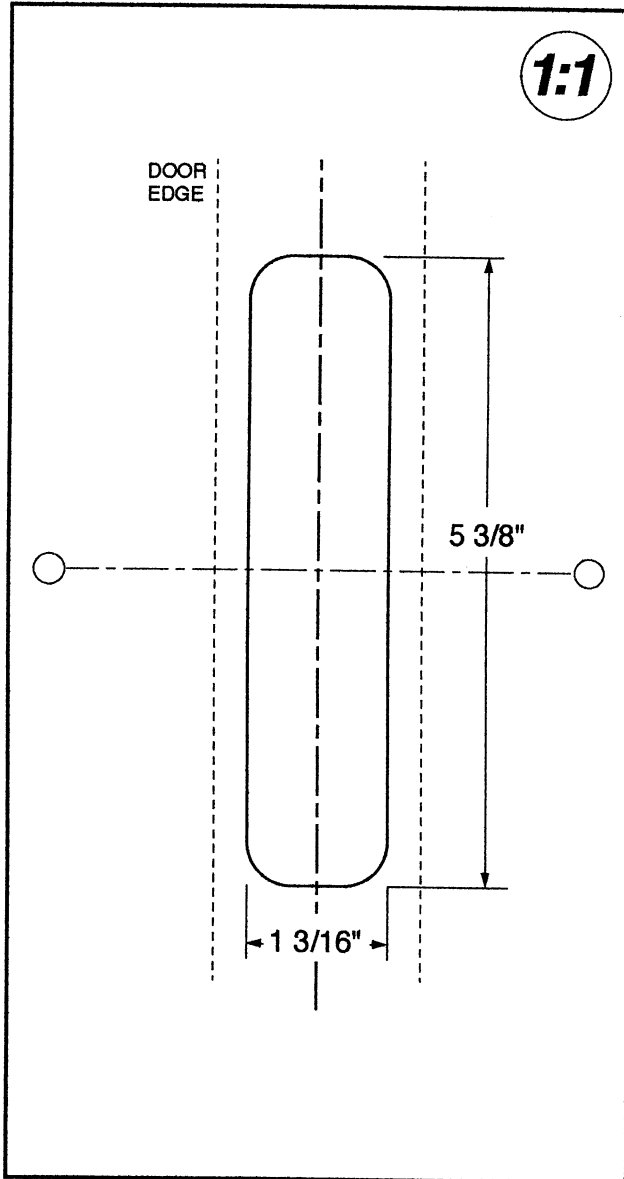


LATCH MORTISES

7/32" deep

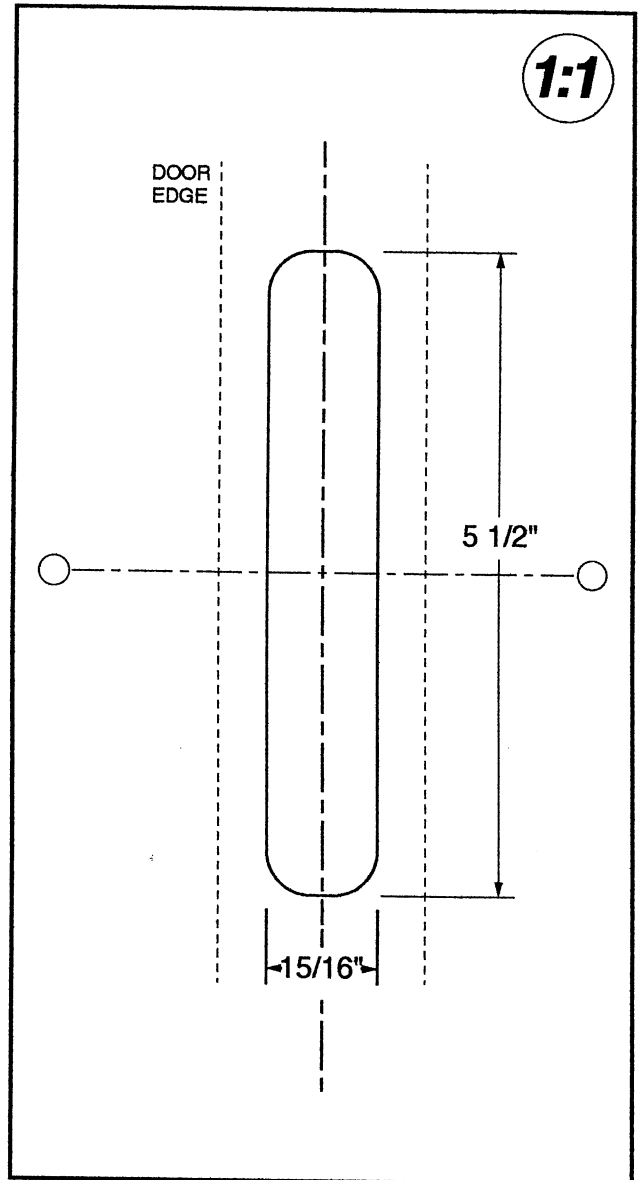
N-L 538

ROUTER: 1:1
GUIDE BUSHING: 3/4"
BIT: 3/4"



N-L 540

ROUTER: 1:1
GUIDE BUSHING: 3/4"
BIT: 3/4"



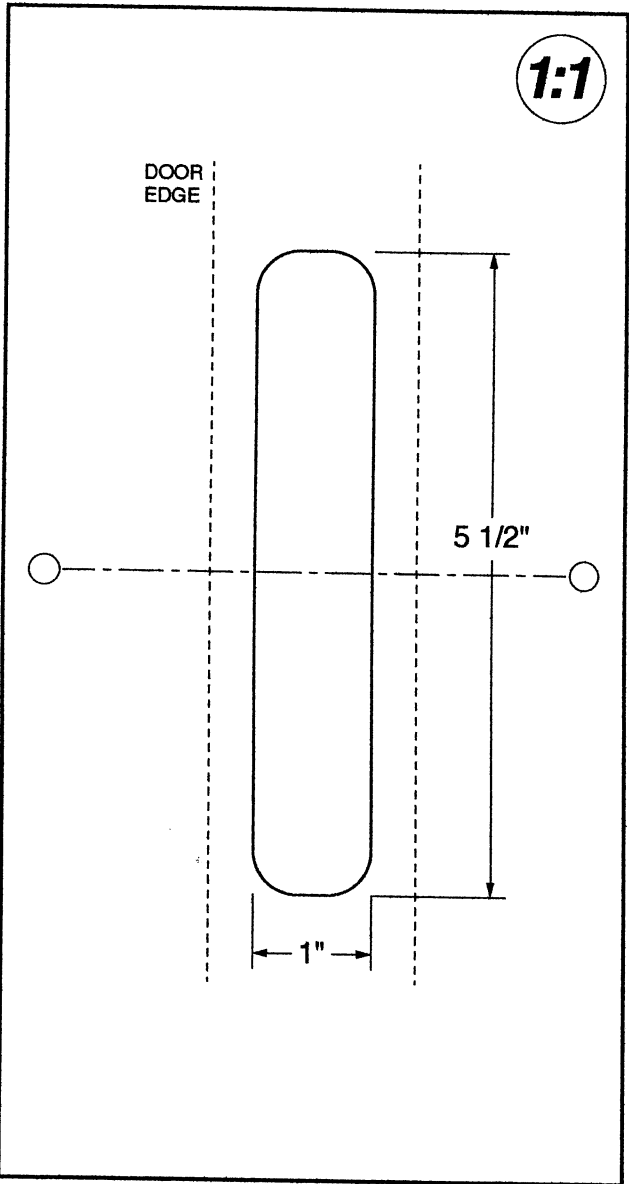
7-9-98

LATCH MORTISES

7/32" deep

N-L 550

ROUTER: 1:1
GUIDE BUSHING: 3/4"
BIT: 3/4"



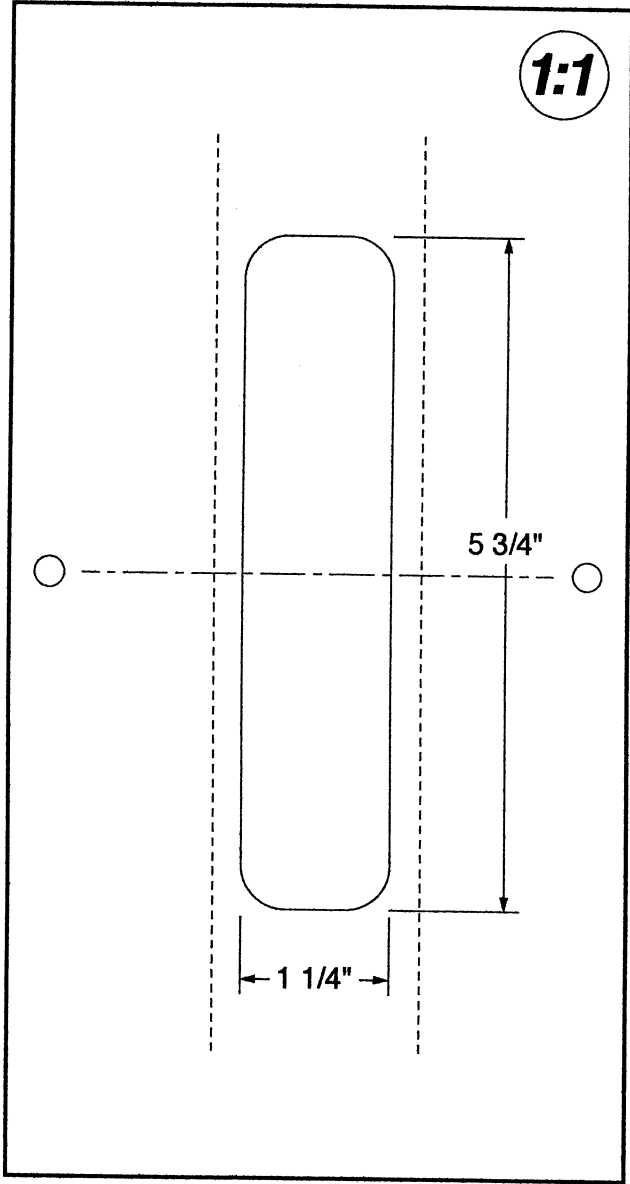
7-9-98

LATCH MORTISES

7/32" deep

ROUTER: 1:1
GUIDE BUSHING: 3/4"
BIT: 3/4"

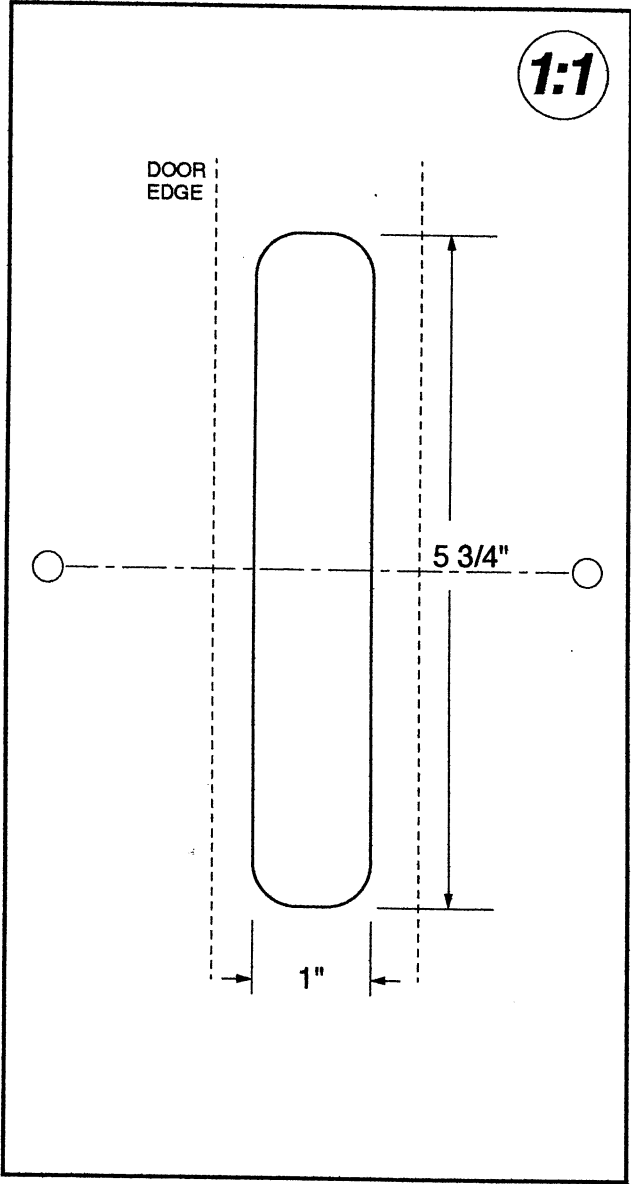
N-L 565



5/32" deep
3/16" deep

ROUTER: 1:1
GUIDE BUSHING: 3/4"
BIT: 3/4"

N-L 560
N-L 575



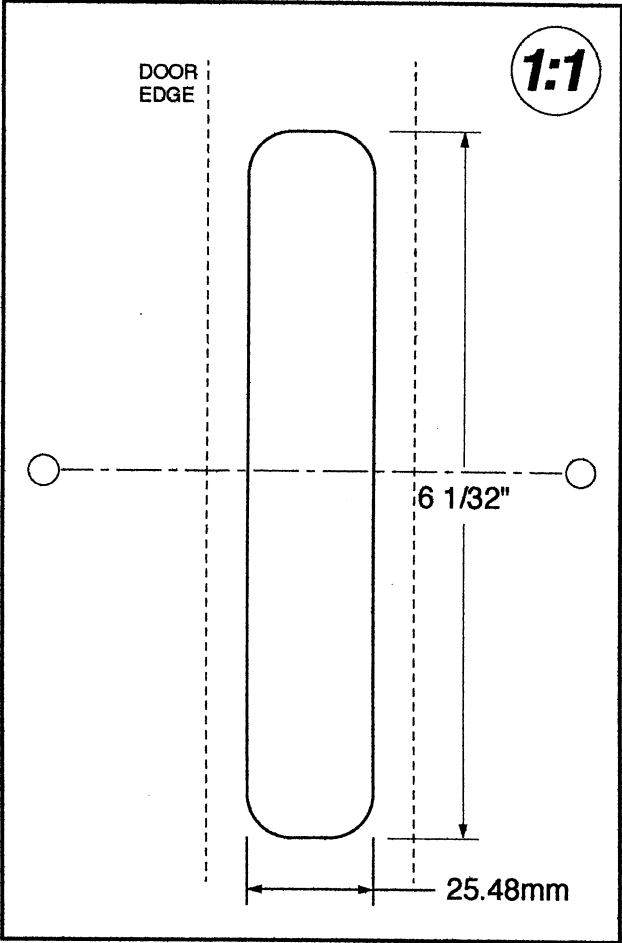
7-9-98

LATCH MORTISES

5/32" deep

N-L 610

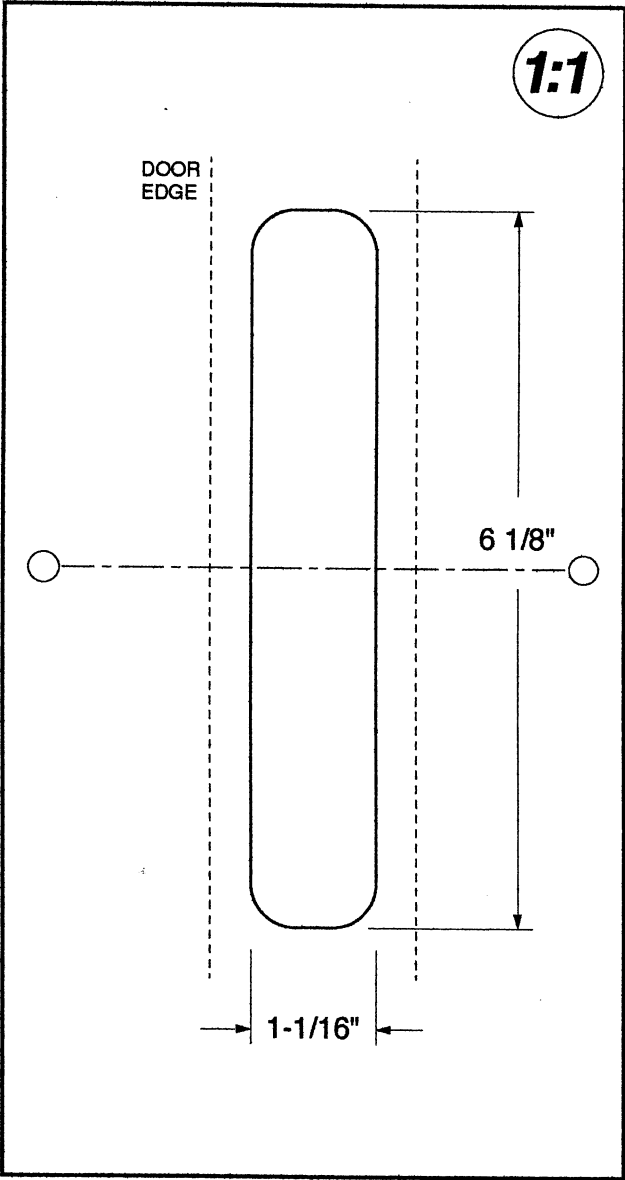
ROUTER: 1:1
GUIDE BUSHING: 3/4"
BIT: 3/4"



3/16" deep

N-L 611

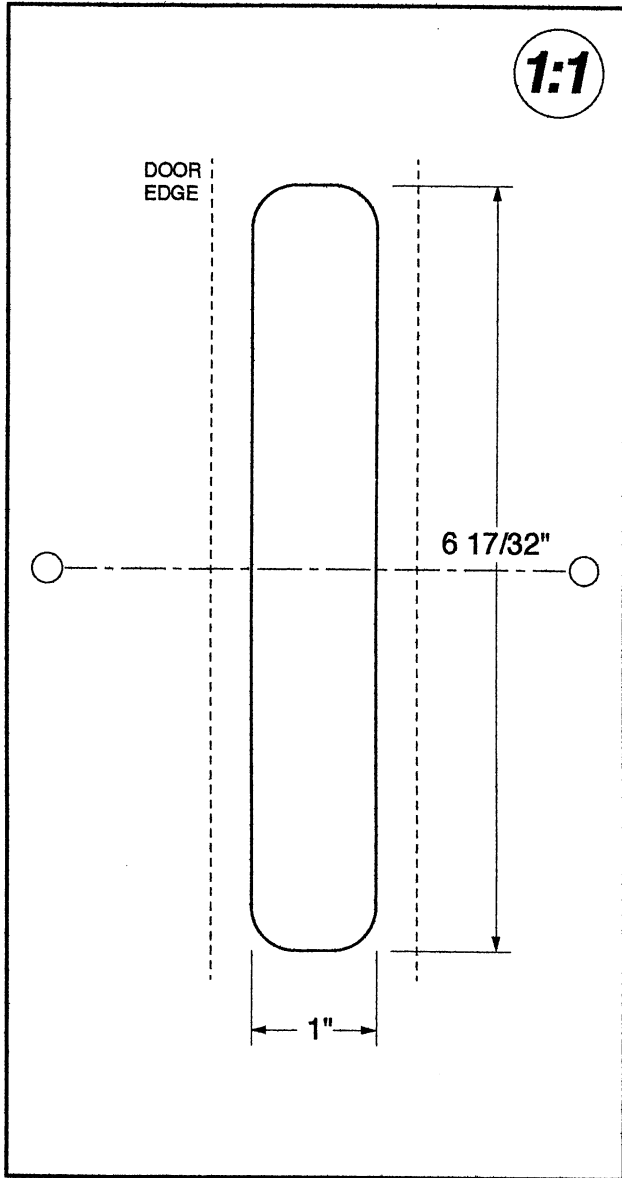
ROUTER: 1:1
GUIDE BUSHING: 3/4"
BIT: 3/4"



LATCH MORTISES

N-L 615

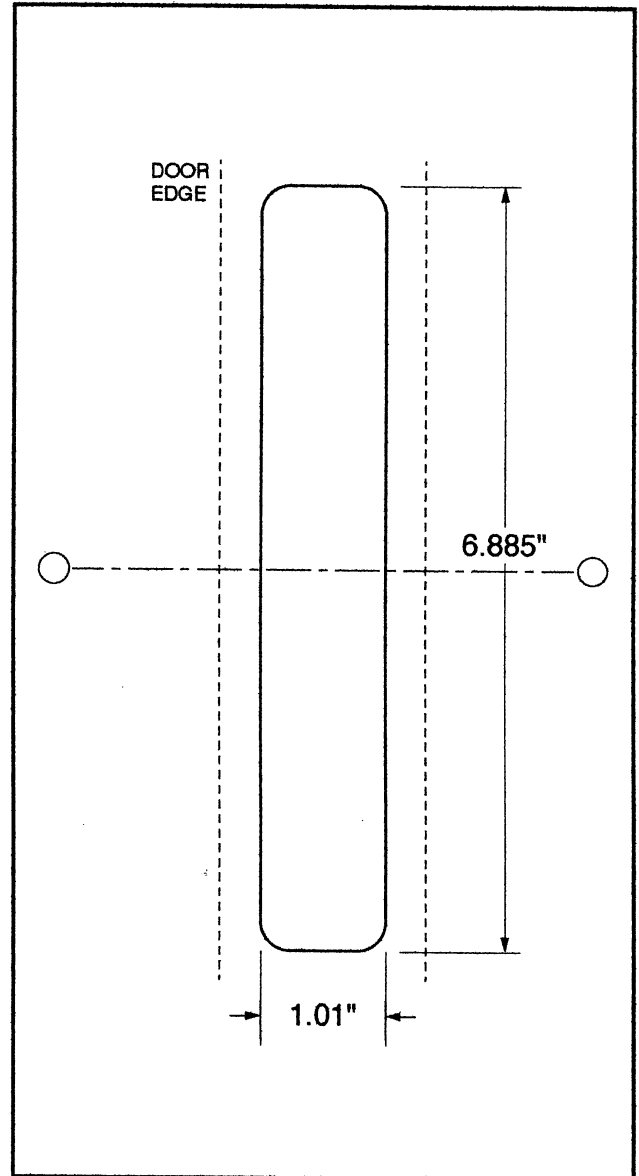
ROUTER: 1:1
GUIDE BUSHING: 3/4"
BIT: 3/4"



1/4" deep

N-L 616

ROUTER: 1:1
GUIDE BUSHING: 3/4"
BIT: 3/4"



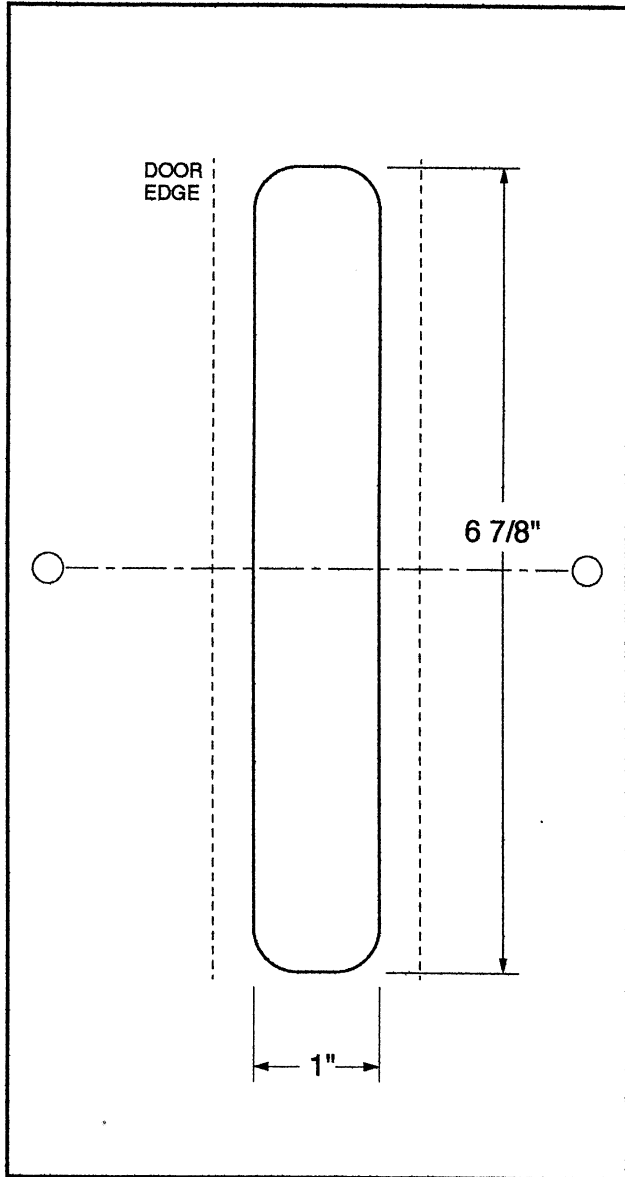
2-9-98

LATCH MORTISES

1/4" deep

N-L 617A

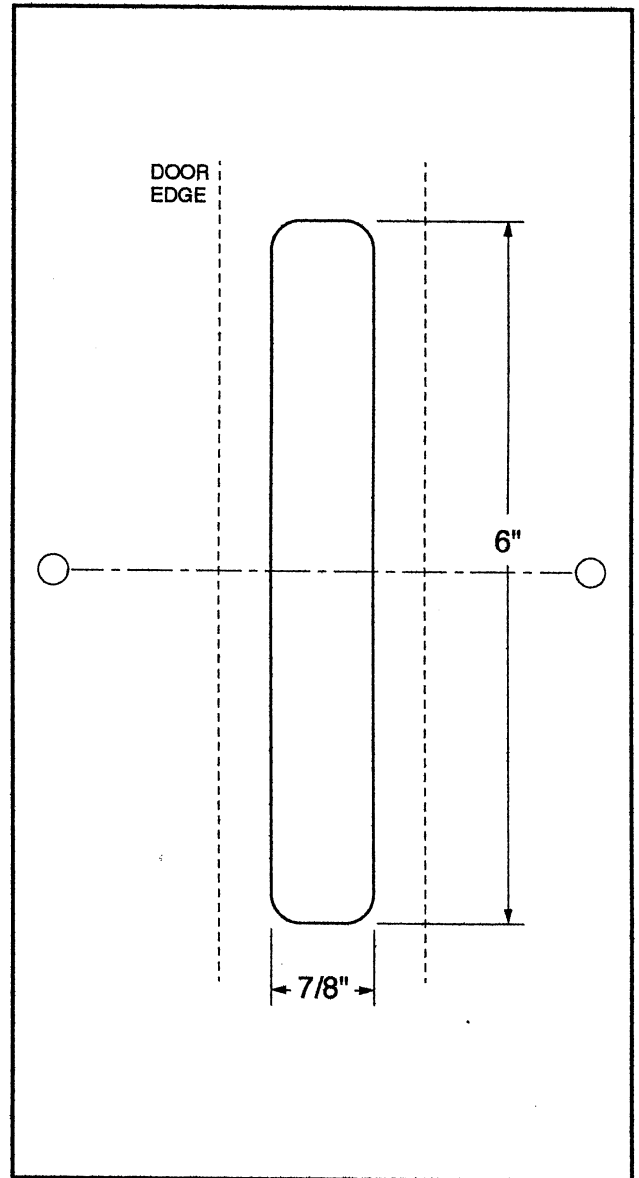
ROUTER: PLUNGE
GUIDE BUSHING: 13/16"
BIT: 1/2"



2-1/4" deep

N-L 617B

ROUTER: PLUNGE
GUIDE BUSHING: 13/16"
BIT: 1/2"



2-9-98

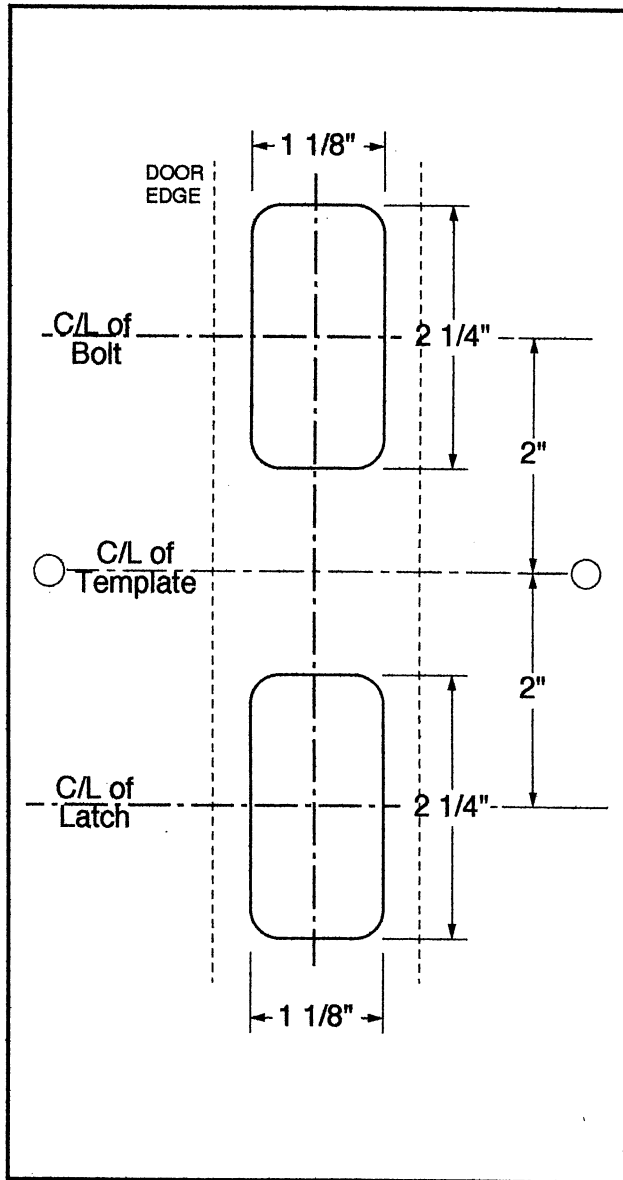
© 1998, Door Technologies Inc.

LATCH MORTISES

5/32" deep

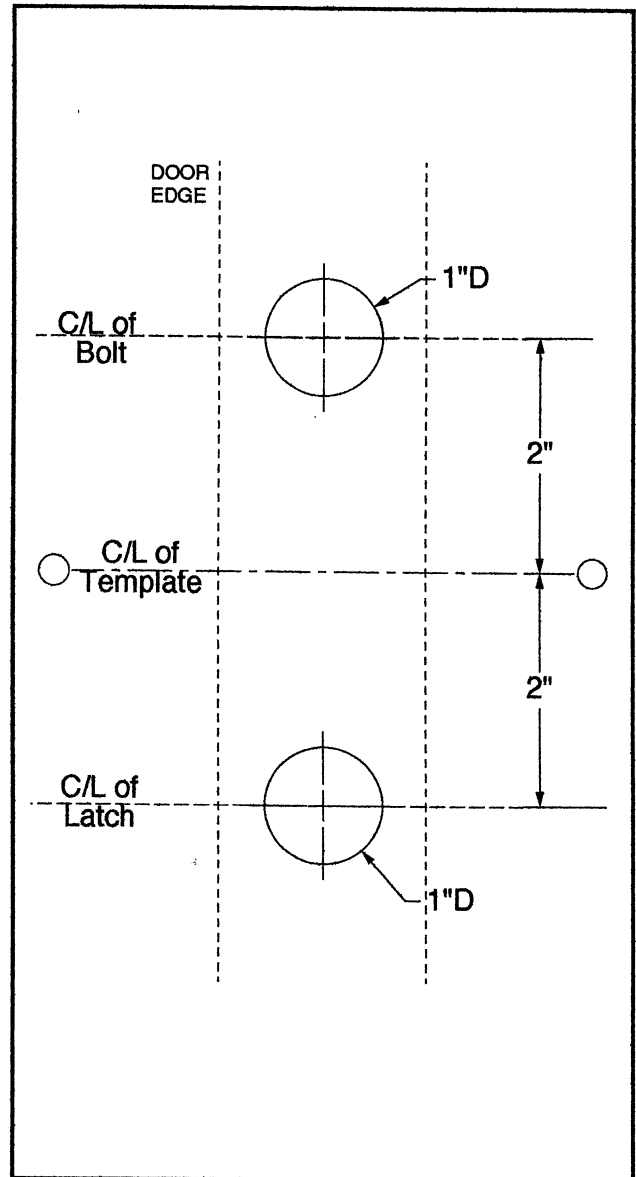
N-L 686A

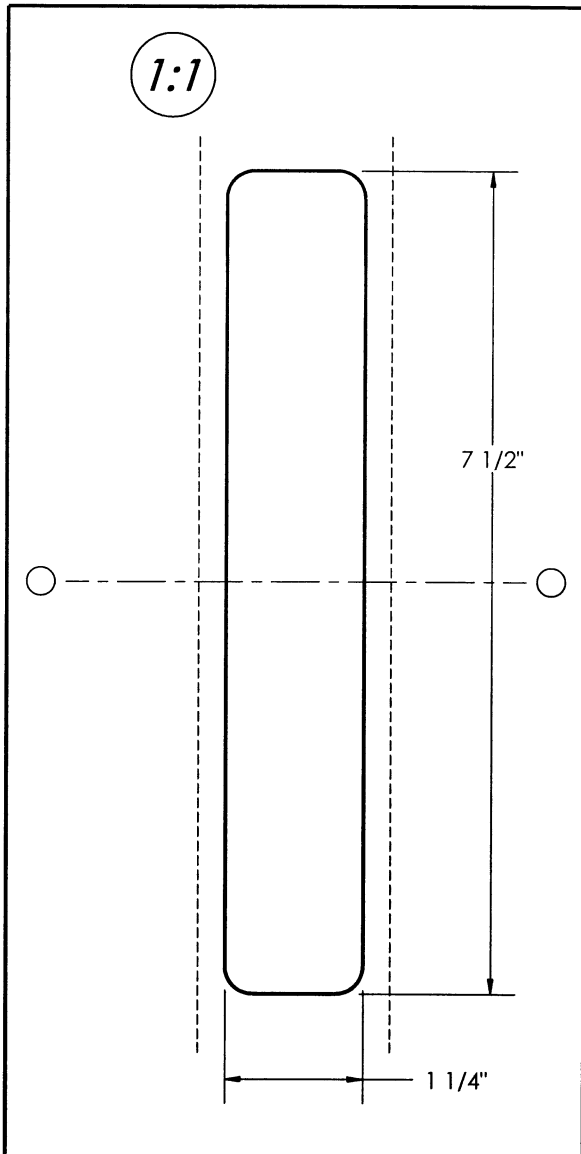
ROUTER: PLUNGE
GUIDE BUSHING: 13/16"
BIT: 1/2"



N-L 686B

ROUTER: PLUNGE
GUIDE BUSHING: 13/16"
BIT: 1/2"



1/8" deep**N-L 809****ROUTER: 1:1**
GUIDE BUSHING: 3/4"
BIT: 3/4"

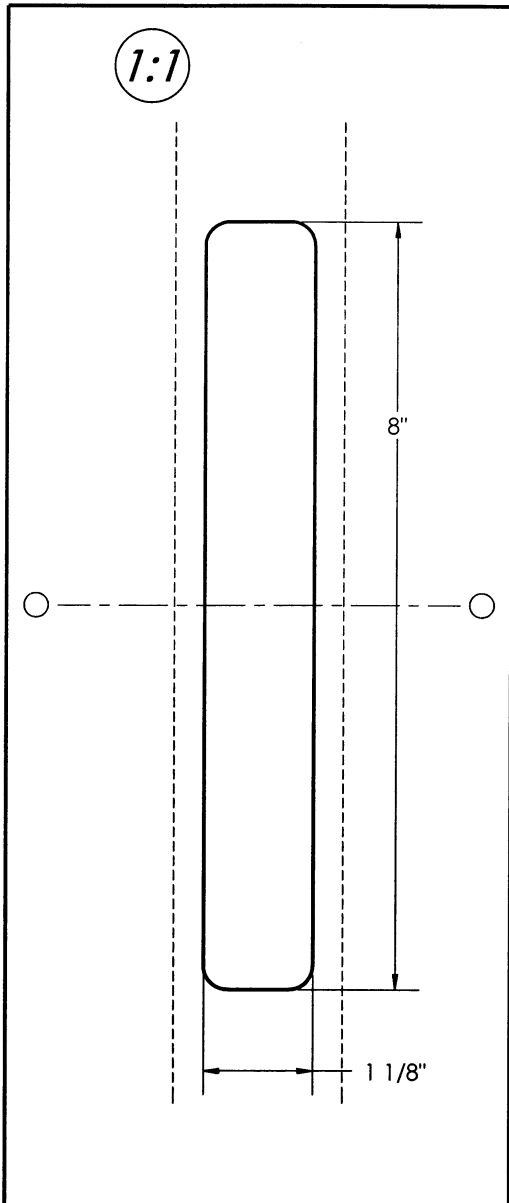
Do not scale drawings.
Actual cutting dimensions are shown. Template dimensions are adjusted for router Guide-Bit difference.
Compare these drawings to manufacturer's template drawings to confirm:

1. which portions of these templates apply;
2. relation of shown centerlines to those in manufacturer's template drawings or hardware;
3. correctness of dimensions.

6/13/03

7/32" deep

N-L 810

ROUTER: 1:1
GUIDE BUSHING: 3/4"
BIT: 3/4"

Do not scale drawings.

Actual cutting dimensions are shown. Template dimensions are adjusted for router Guide-Bit difference. Compare these drawings to manufacturer's template drawings to confirm:

1. which portions of these templates apply;
2. relation of shown centerlines to those in manufacturer's template drawings or hardware;
3. correctness of dimensions.

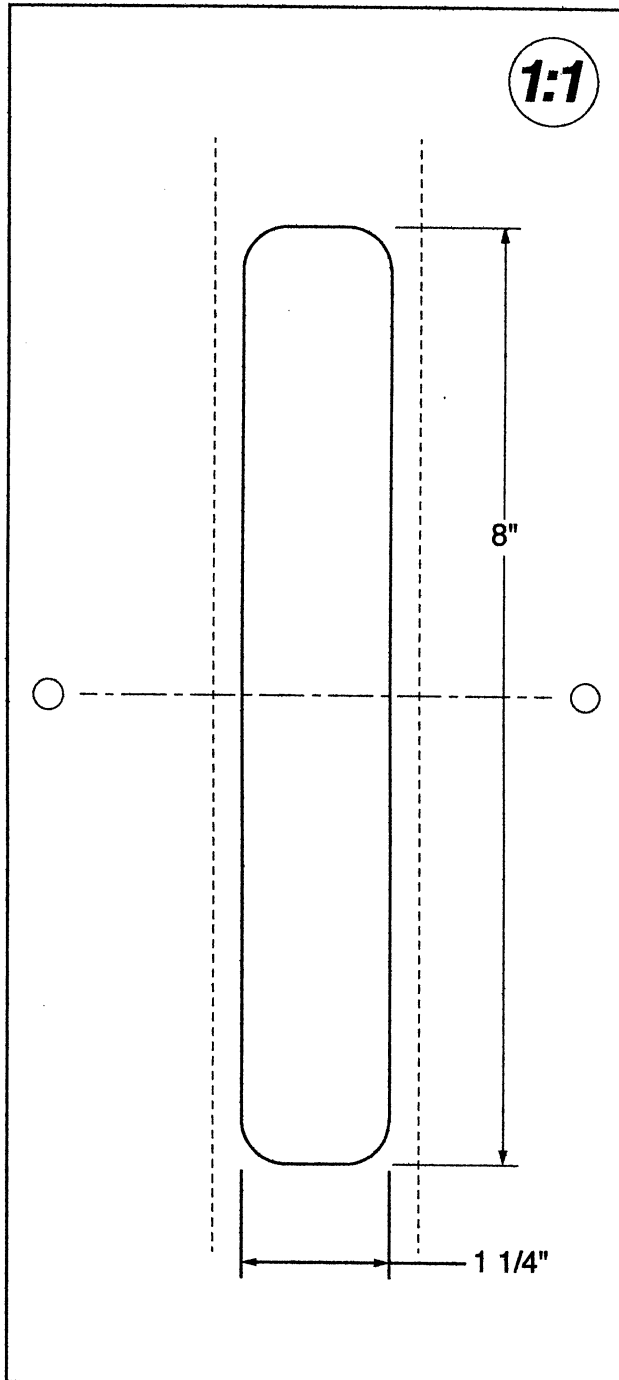
6/11/03

LATCH MORTISES

7/32" deep

ROUTER: 1:1
GUIDE BUSHING: 3/4"
BIT: 3/4"

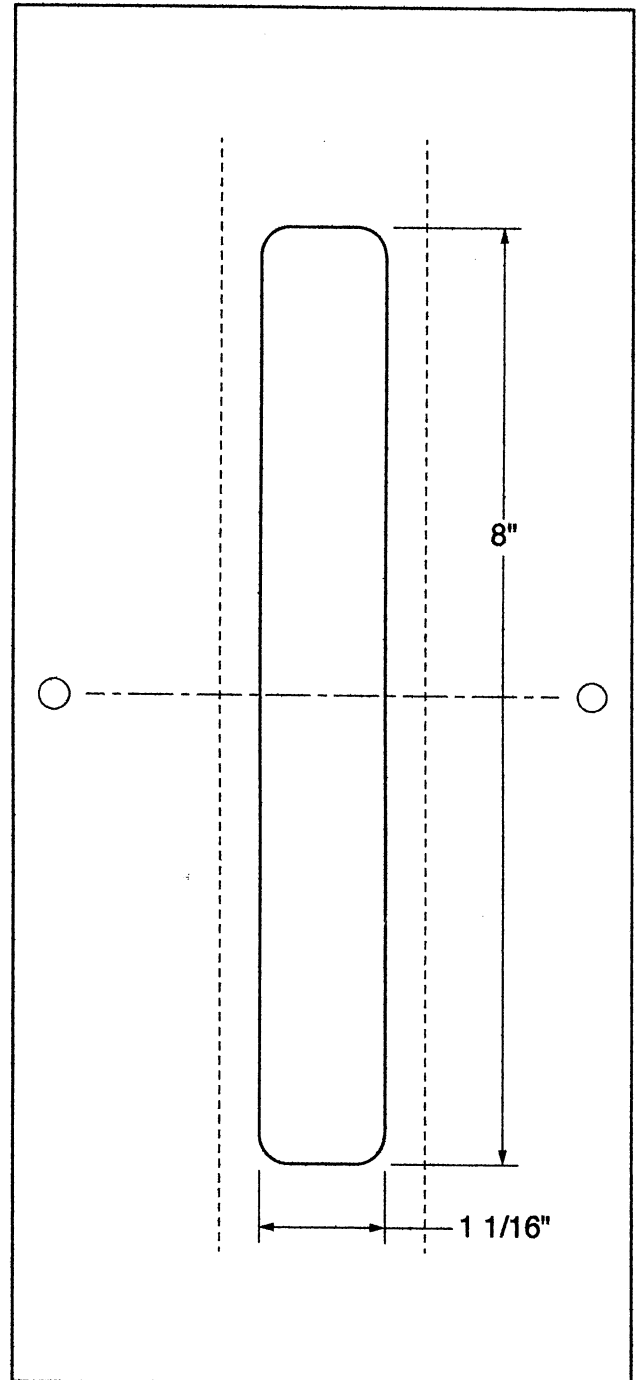
N-L 811



1/4" deep

ROUTER: PLUNGE
GUIDE BUSHING: 13/16"
BIT: 1/2"

N-L 812

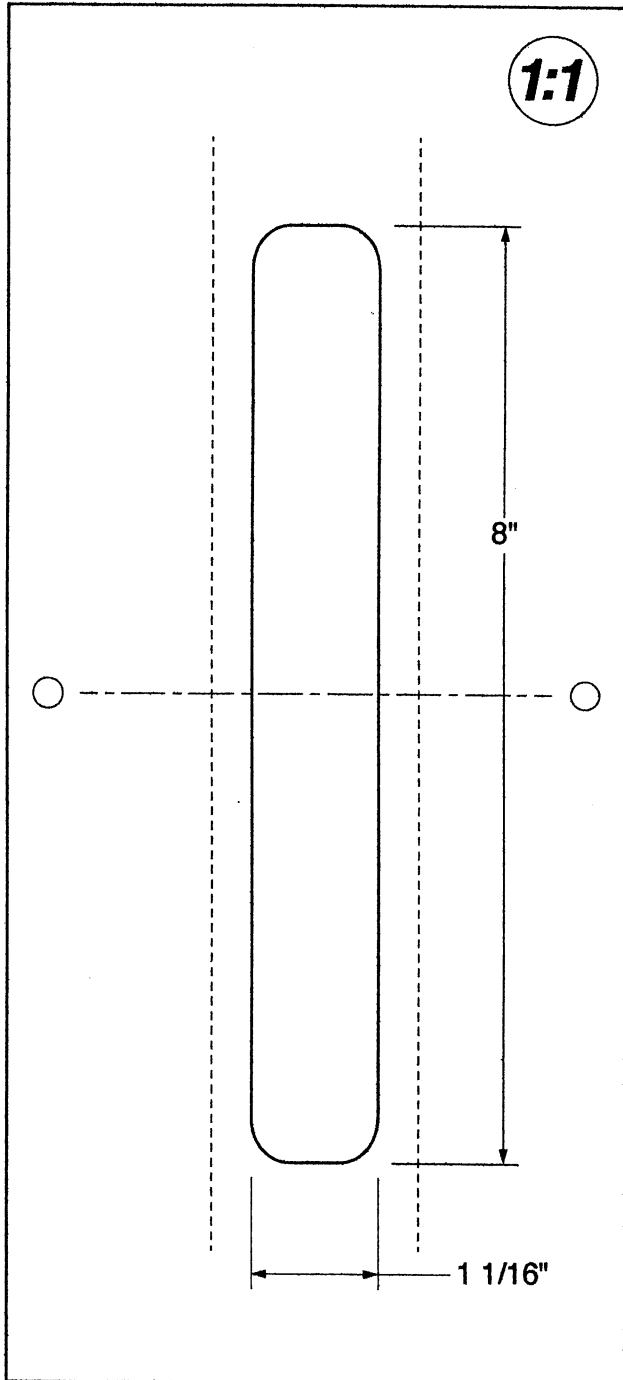


LATCH MORTISES

7/32" deep

N-L 813

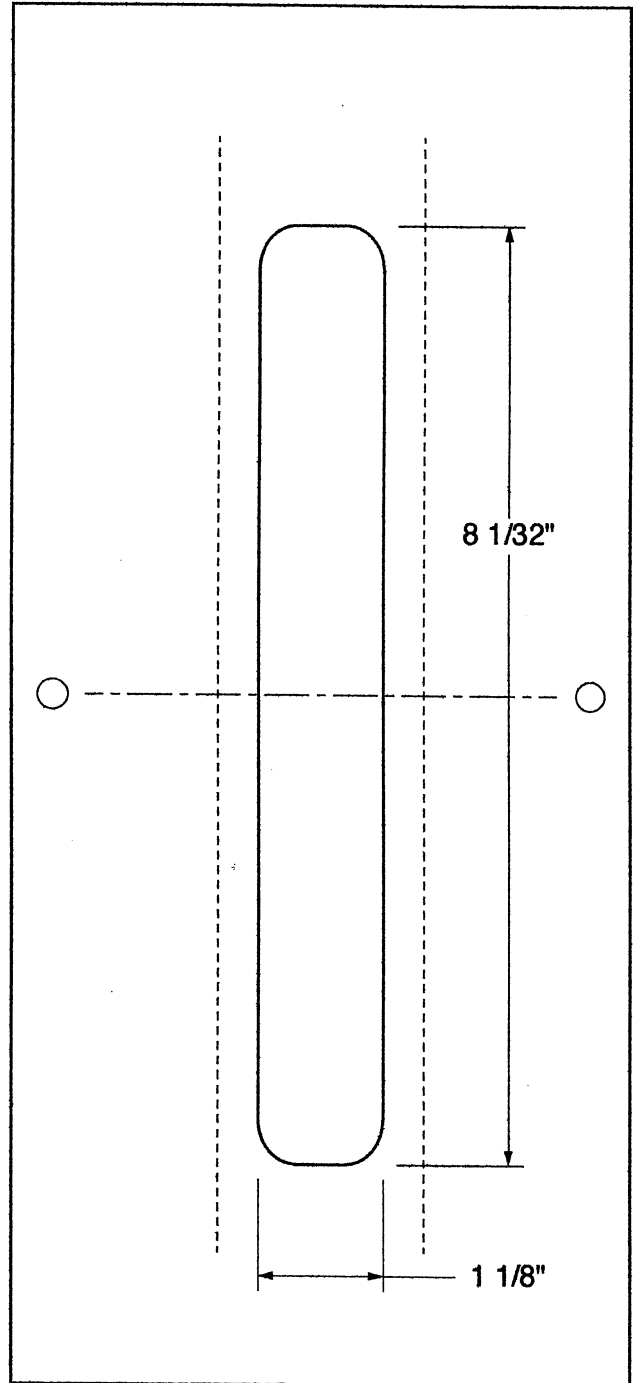
ROUTER: 1:1
GUIDE BUSHING: 3/4"
BIT: 3/4"



1/4" deep

N-L 814

ROUTER: PLUNGE
GUIDE BUSHING: 13/16"
BIT: 1/2"

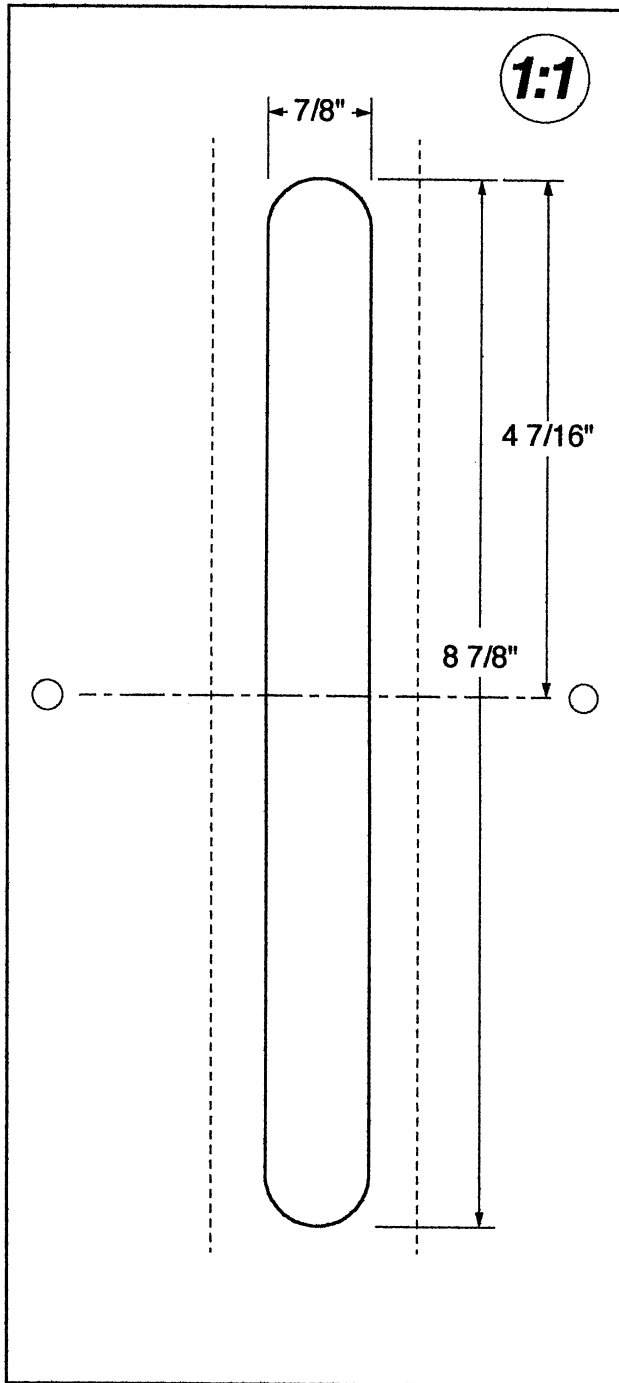


LATCH MORTISES

7/32" deep

ROUTER: 1:1
GUIDE BUSHING: 3/4"
BIT: 3/4"

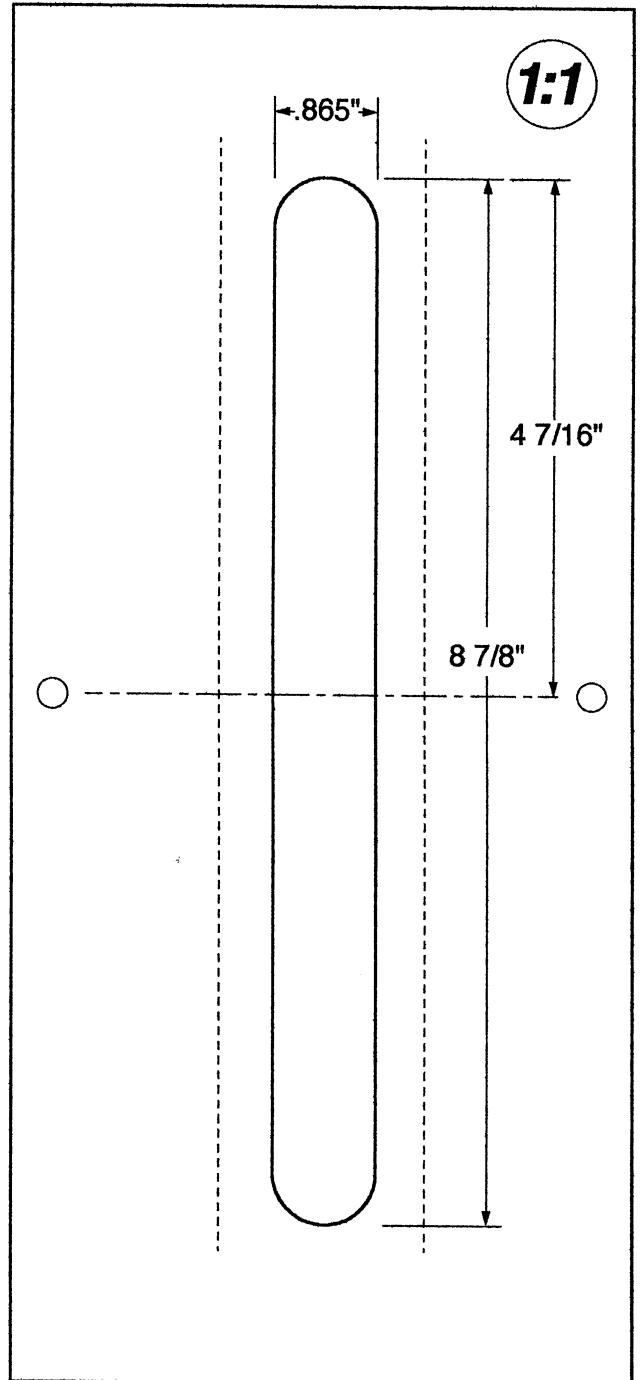
N-L 815



1/8" deep

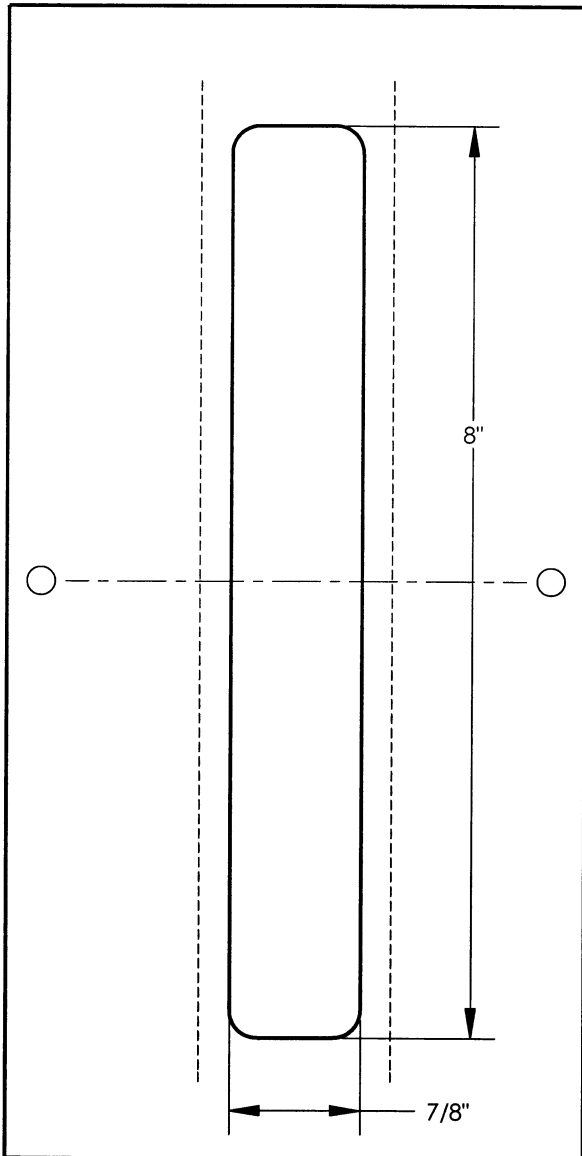
ROUTER: 1:1
GUIDE BUSHING: 3/4"
BIT: 3/4"

N-L 816



N-L 818

ROUTER: PLUNGE
GUIDE BUSHING: 13/16"
BIT: 1/2"



Do not scale drawings.
Actual cutting dimensions are shown. Template dimensions are adjusted for router Guide-Bit difference.
Compare these drawings to manufacturer's template drawings to confirm:

1. which portions of these templates apply;
2. relation of shown centerlines to those in manufacturer's template drawings or hardware;
3. correctness of dimensions.

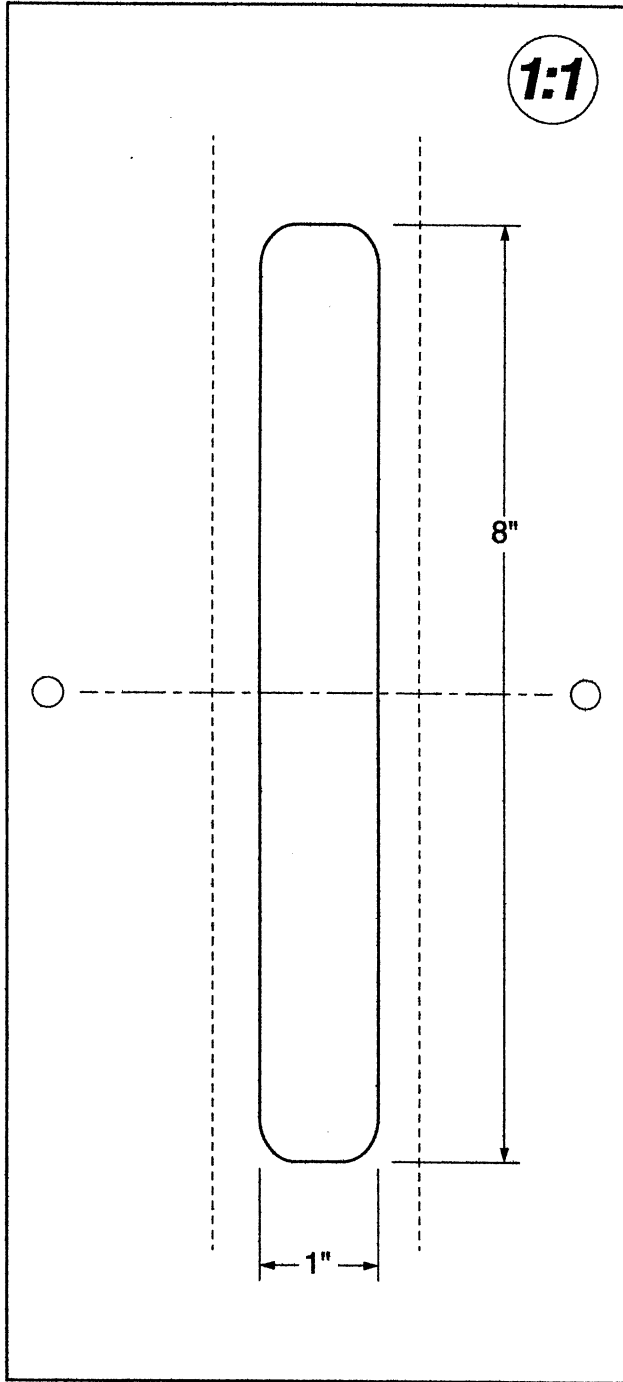
6/05/03

LATCH MORTISES

7/32" deep

N-L 817

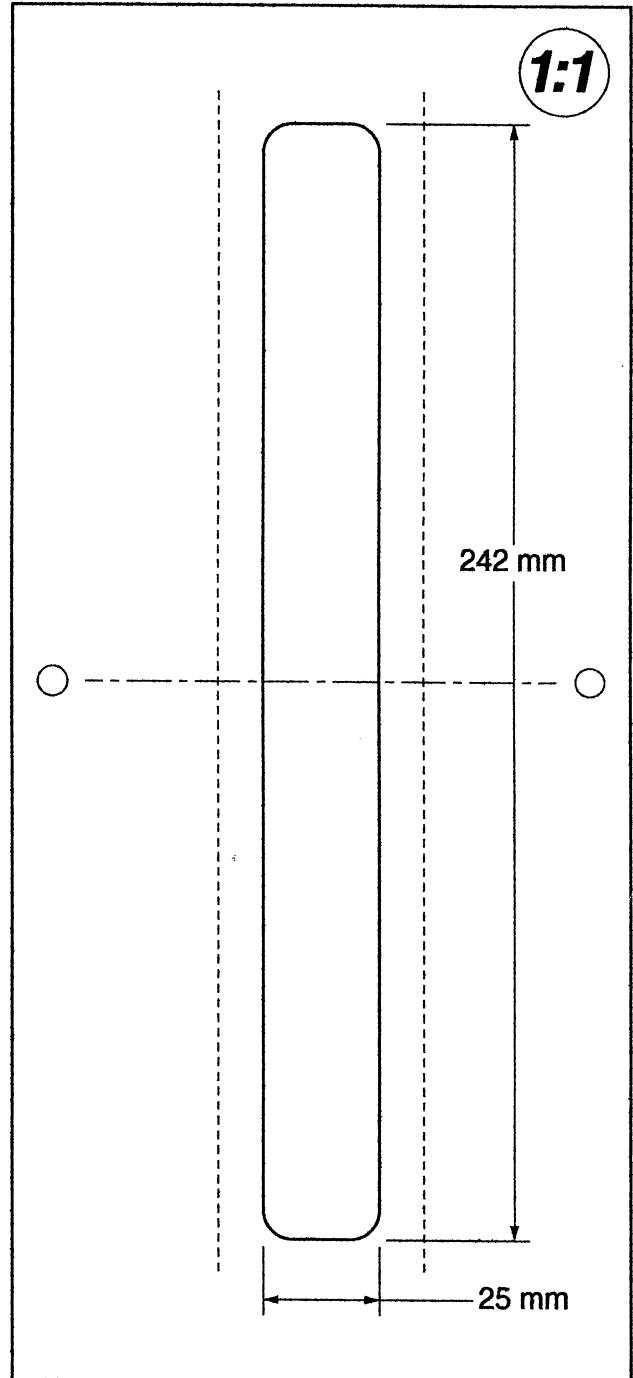
ROUTER: 1:1
GUIDE BUSHING: 3/4"
BIT: 3/4"



1/8" deep

N-L 820

ROUTER: 1:1
GUIDE BUSHING: 3/4"
BIT: 3/4"



10-4-94

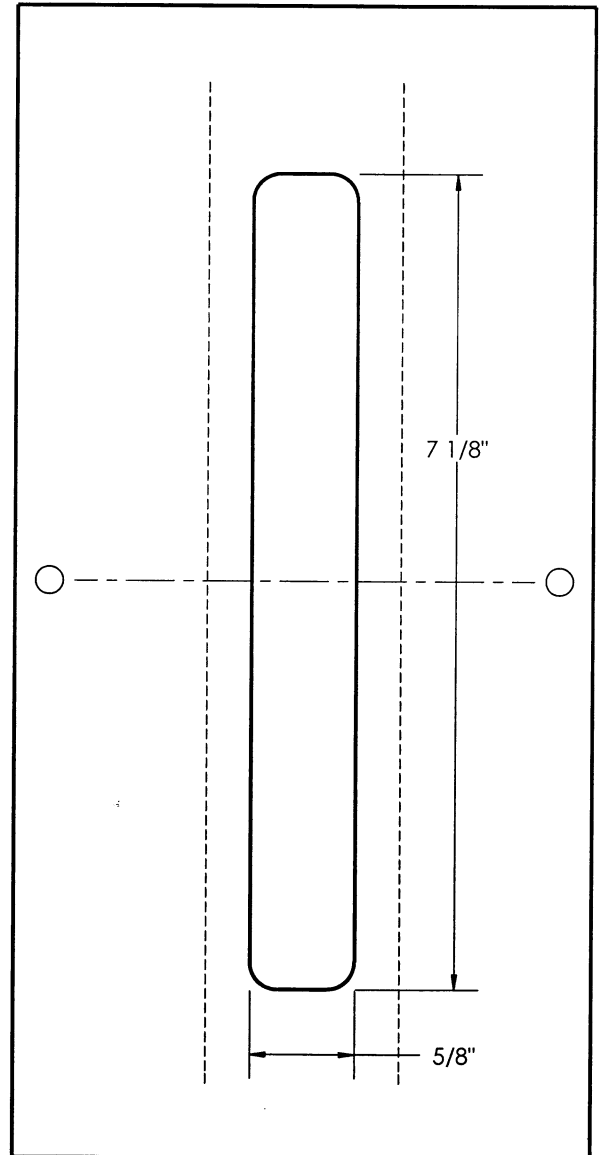
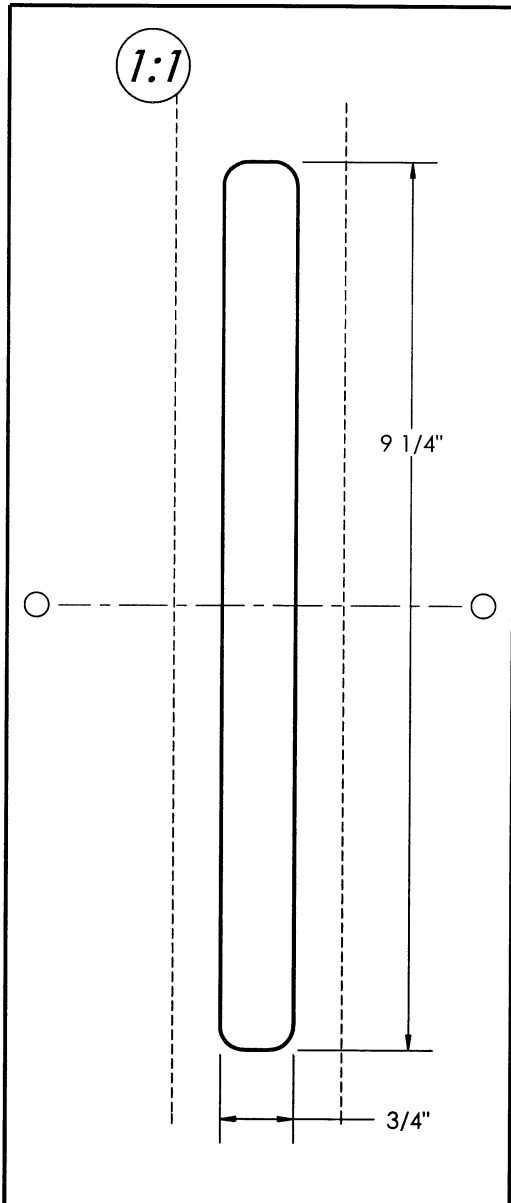
© 1992, Door Technologies Inc.

N-L 821

N-L 822

ROUTER: 1:1
GUIDE BUSHING: 3/4"
BIT: 3/4"

ROUTER: PLUNGE
GUIDE BUSHING: 13/16"
BIT: 1/2"



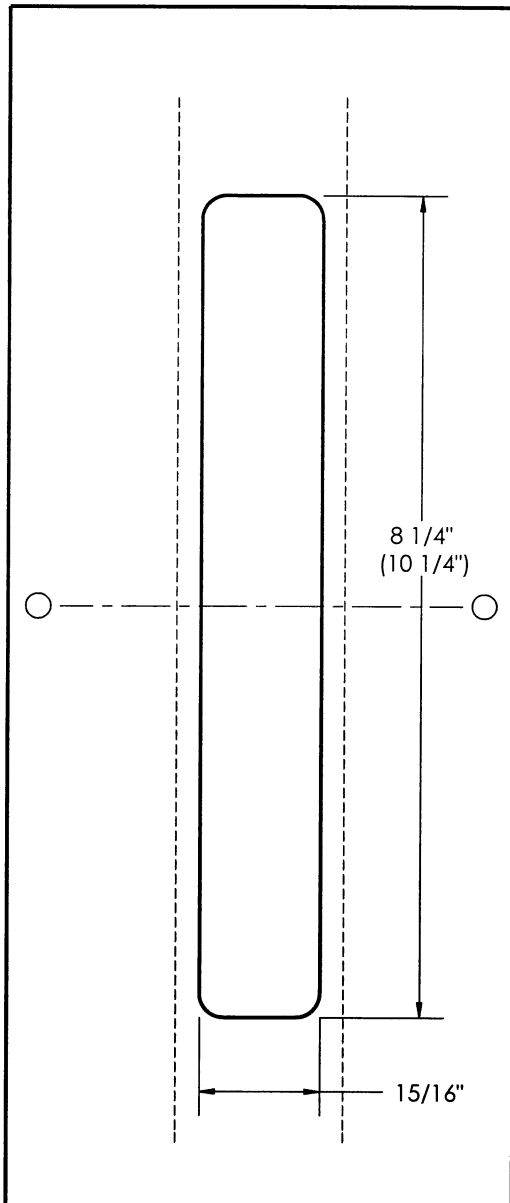
Do not scale drawings.
Actual cutting dimensions are shown. Template dimensions are adjusted for router Guide-Bit difference.
Compare these drawings to manufacturer's template drawings to confirm:

1. which portions of these templates apply;
2. relation of shown centerlines to those in manufacturer's template drawings or hardware;
3. correctness of dimensions.

6/10/03

N-L 823

ROUTER: PLUNGE
GUIDE BUSHING: 13/16"
BIT: 1/2"



Slide template 2" to route full 10-1/4"
length of the hardware.

Do not scale drawings.

Actual cutting dimensions are shown. Template dimensions are adjusted for router Guide-Bit difference. Compare these drawings to manufacturer's template drawings to confirm:

1. which portions of these templates apply;
2. relation of shown centerlines to those in manufacturer's template drawings or hardware;
3. correctness of dimensions.

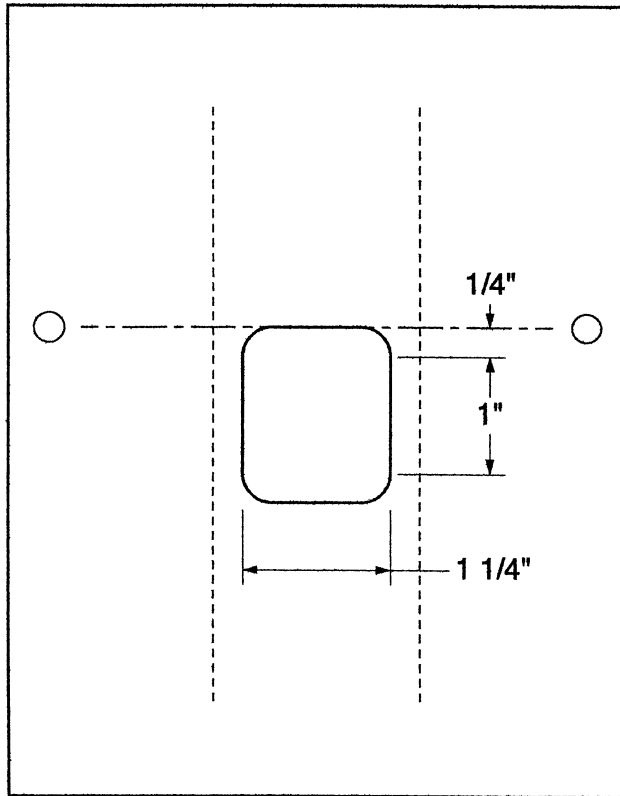
6/18/03

LATCH MORTISES

5/8" deep

N-L 87B

ROUTER: PLUNGE
GUIDE BUSHING: 13/16"
BIT: 1/2"

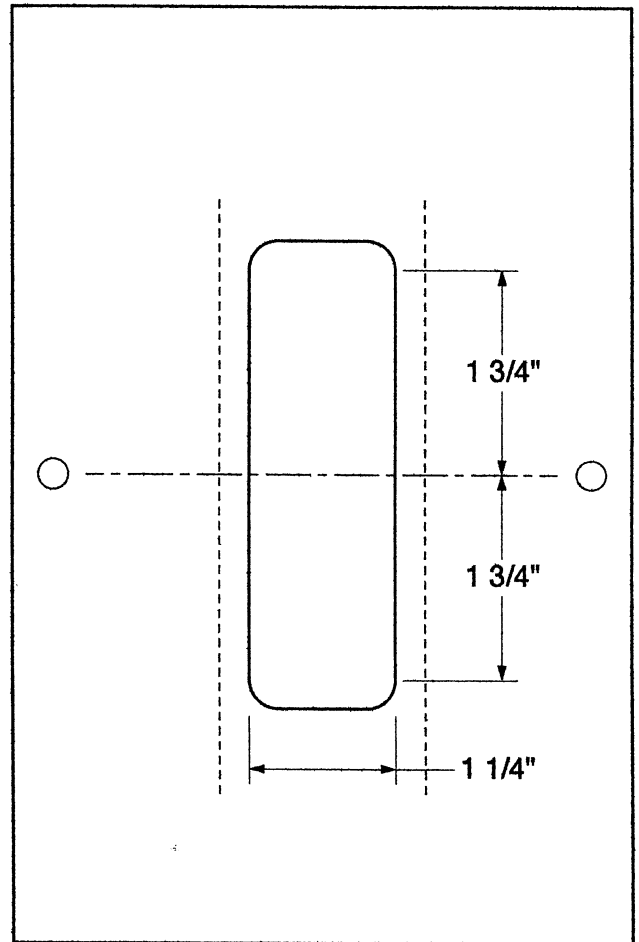


Latch mortise relief for YALE 8700 Series

7/8" deep

N-L 70B

ROUTER: PLUNGE
GUIDE BUSHING: 13/16"
BIT: 1/2"



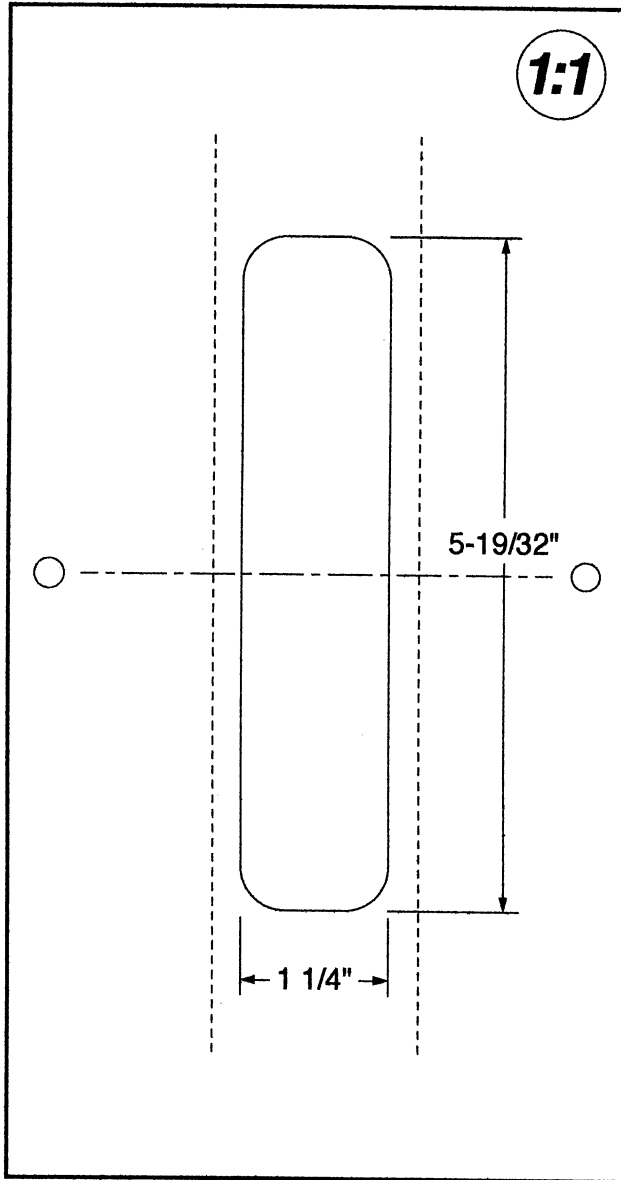
Latch mortise relief for YALE 7030 & 7130

LATCH MORTISES

7/32" deep

N-L 909

ROUTER: 1:1
GUIDE BUSHING: 3/4"
BIT: 3/4"



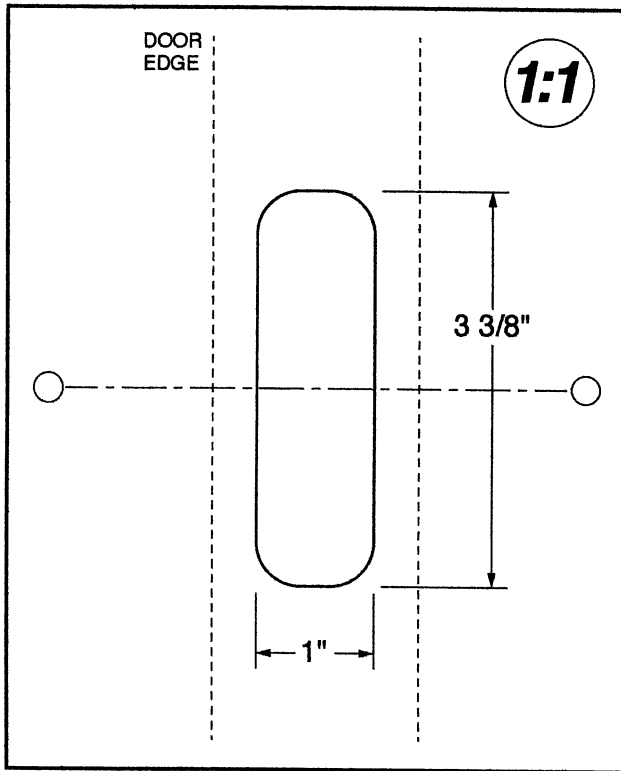
4-8-02

ROLLER LATCHES

1/8" deep

N-RL 30A

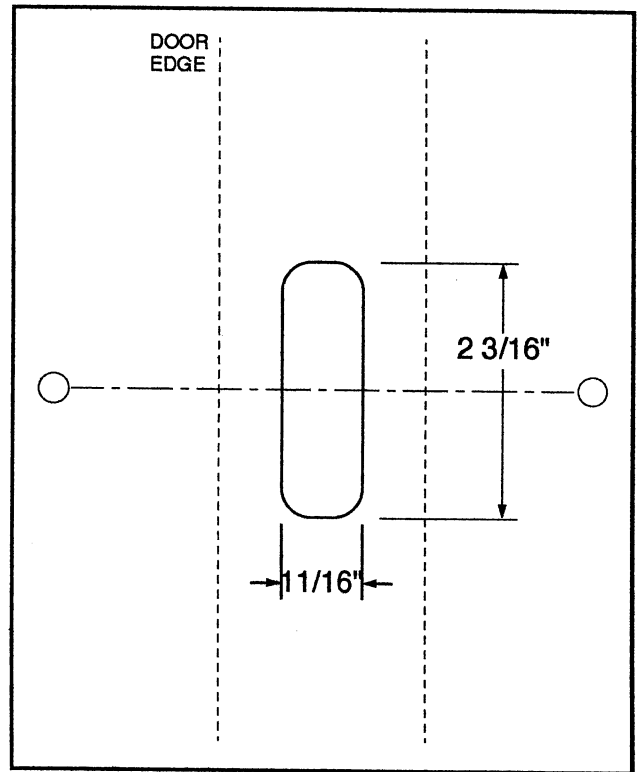
ROUTER: 1:1
GUIDE BUSHING: 3/4"
BIT: 3/4"



1 13/16" deep

N-RL 30B

ROUTER: PLUNGE
GUIDE BUSHING: 13/16"
BIT: 1/2"



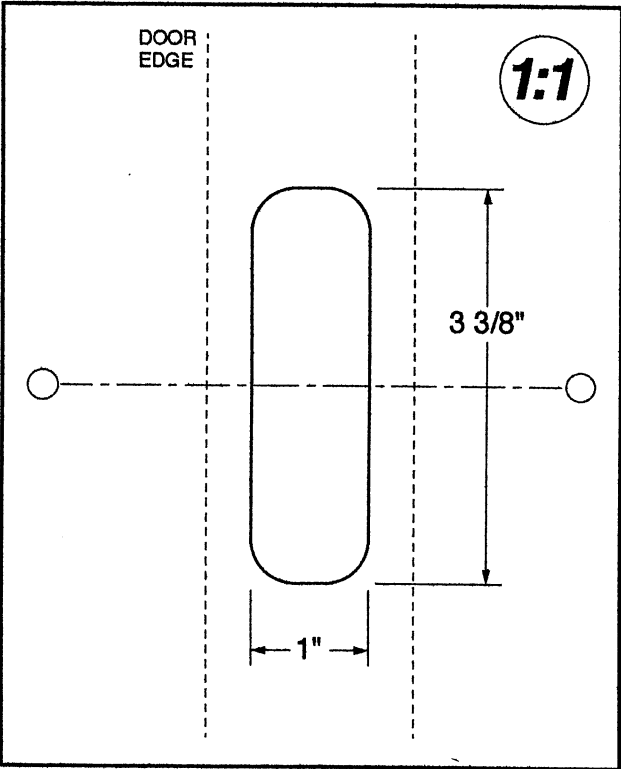
5-22-01

ROLLER LATCHES

5/32" deep

N-RL 31A

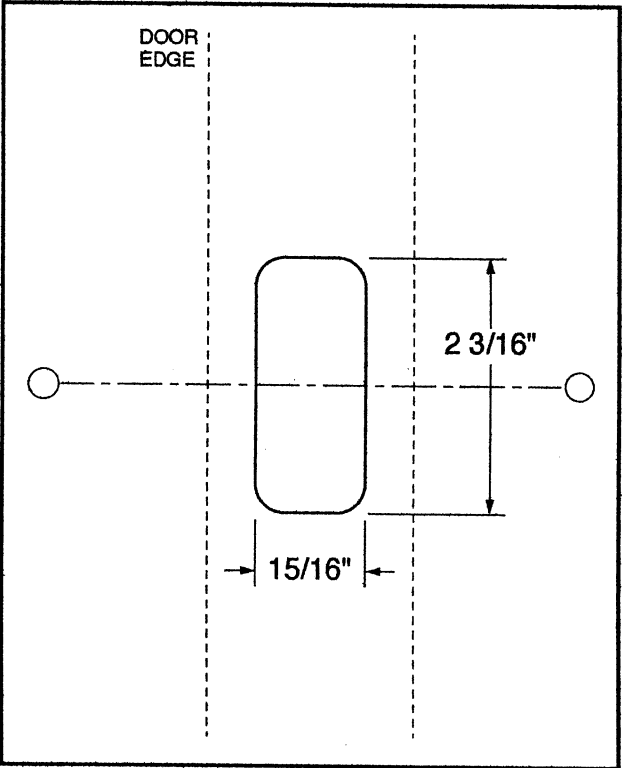
ROUTER: 1:1
GUIDE BUSHING: 3/4"
BIT: 3/4"



1 3/4" deep

N-RL 31B

ROUTER: PLUNGE
GUIDE BUSHING: 13/16"
BIT: 1/2"



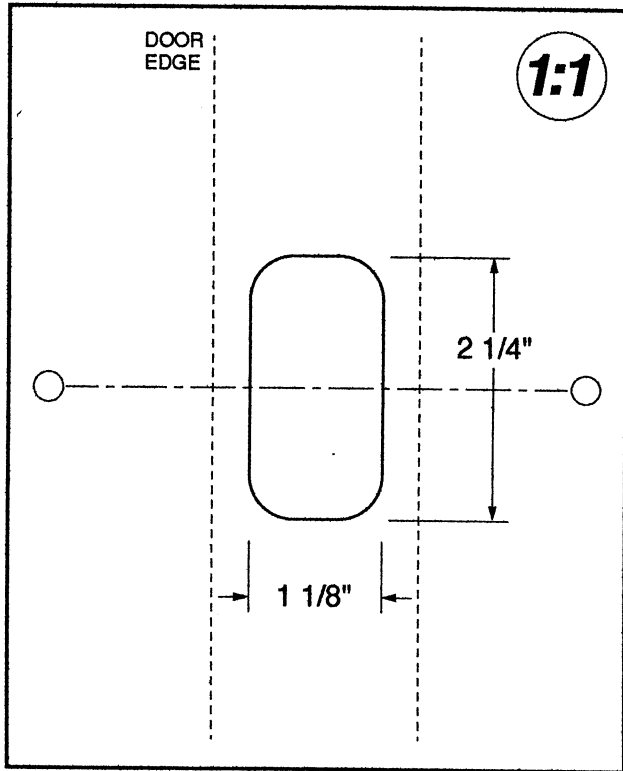
9-1-93

ROLLER LATCHES

1/8" deep

N-RL 32

ROUTER: 1:1
GUIDE BUSHING: 3/4"
BIT: 3/4"

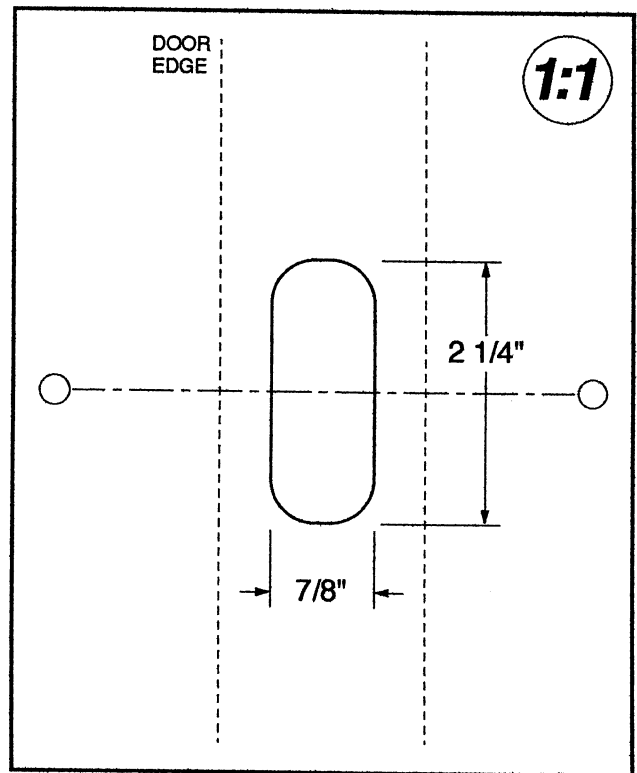


Used with N-C-1

1/8" deep

N-RL 33

ROUTER: 1:1
GUIDE BUSHING: 3/4"
BIT: 3/4"



Used with N-C-3/4

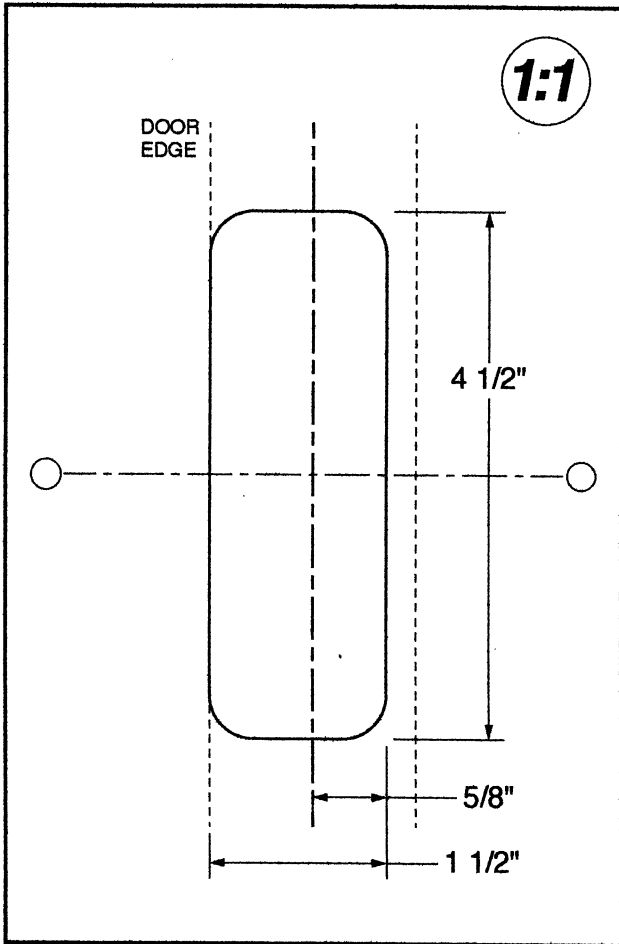
12-1-93

ROLLER LATCHES

3/16" deep

N-RL 34A

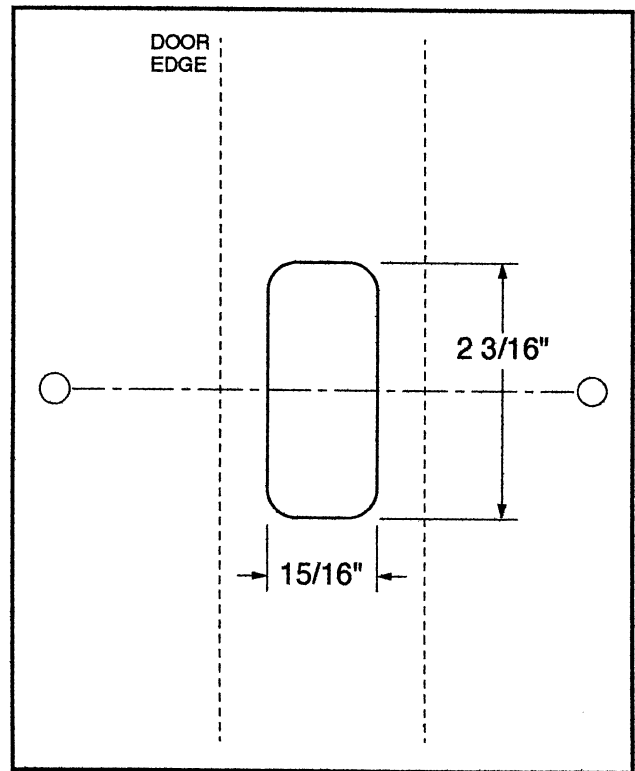
ROUTER: 1:1
GUIDE BUSHING: 3/4"
BIT: 3/4"



1 3/4" deep

N-RL 34B

ROUTER: PLUNGE
GUIDE BUSHING: 13/16"
BIT: 1/2"



RL 34B IS THE SAME AS RL 31 B

FOR JAMB APPLICATION ONLY

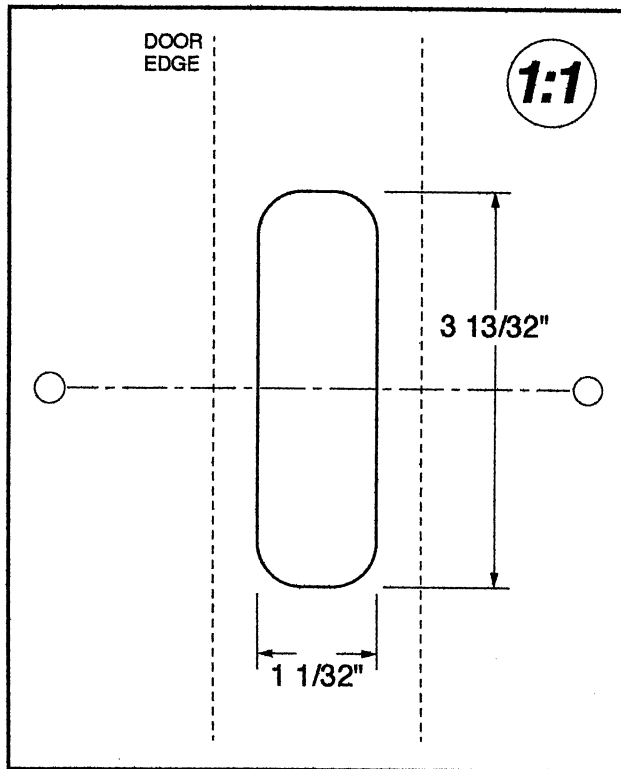
9-1-93

ROLLER LATCHES

5/32" deep

ROUTER: 1:1
GUIDE BUSHING: 3/4"
BIT: 3/4"

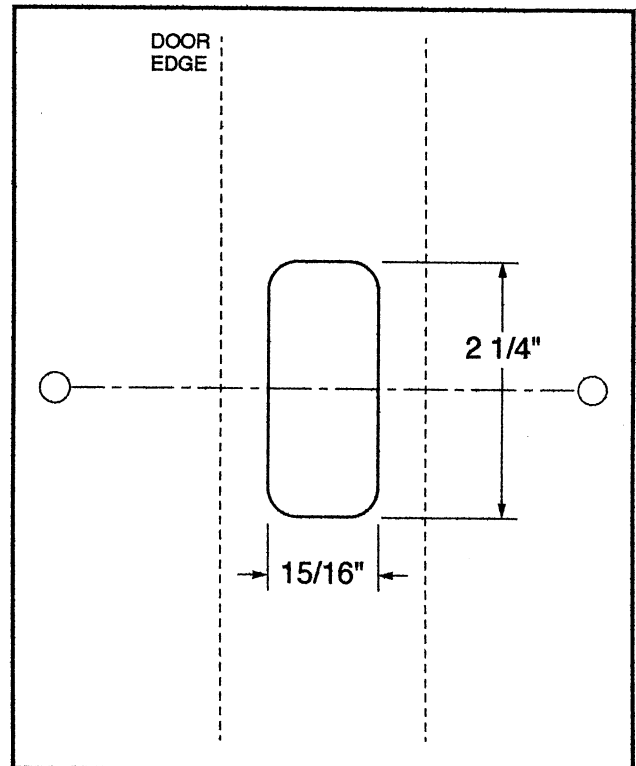
N-RL 35A



1 3/4" deep

ROUTER: PLUNGE
GUIDE BUSHING: 13/16"
BIT: 1/2"

N-RL 35B



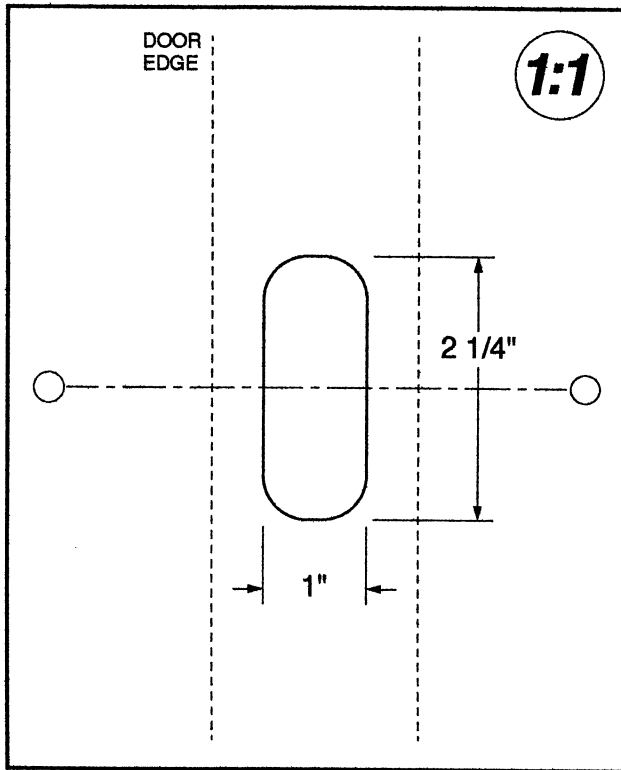
9-1-93

ROLLER LATCHES

1/8" deep

N-RL 36

ROUTER: 1:1
GUIDE BUSHING: 3/4"
BIT: 3/4"

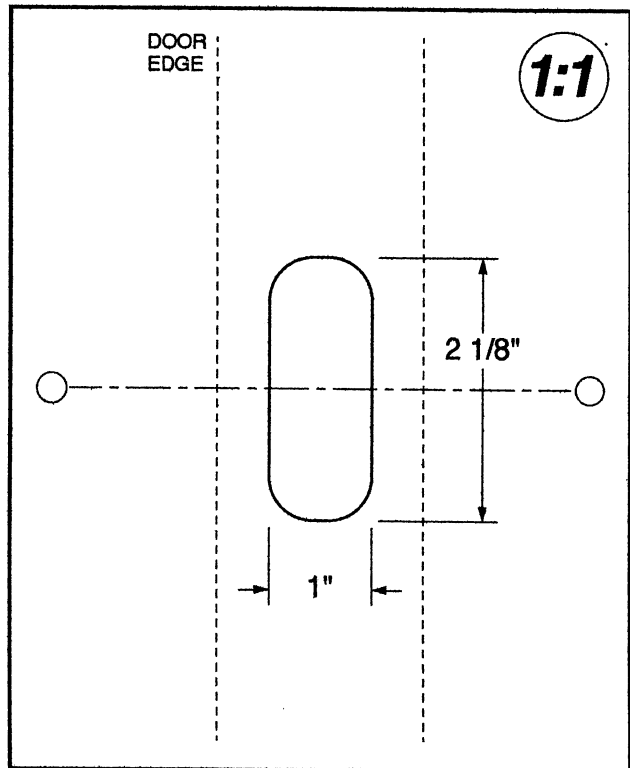


Used with N-C-7/8

3/32" deep

N-RL 47

ROUTER: 1:1
GUIDE BUSHING: 3/4"
BIT: 3/4"



Used with N-C-7/8

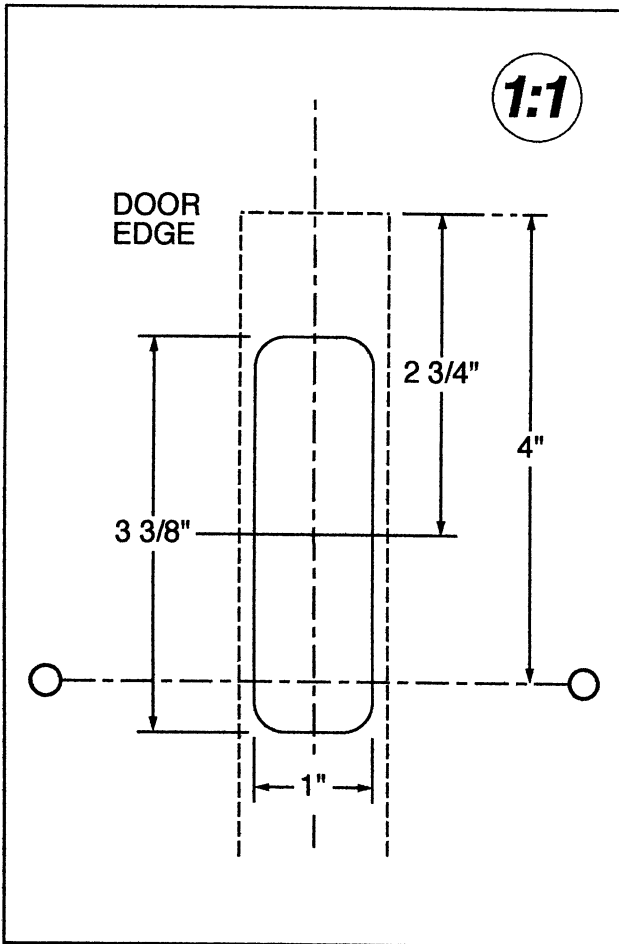
8-31-94

ROLLER LATCHES

1/8" deep

ROUTER: 1:1
GUIDE BUSHING: 3/4"
BIT: 3/4"

N-RL 48A

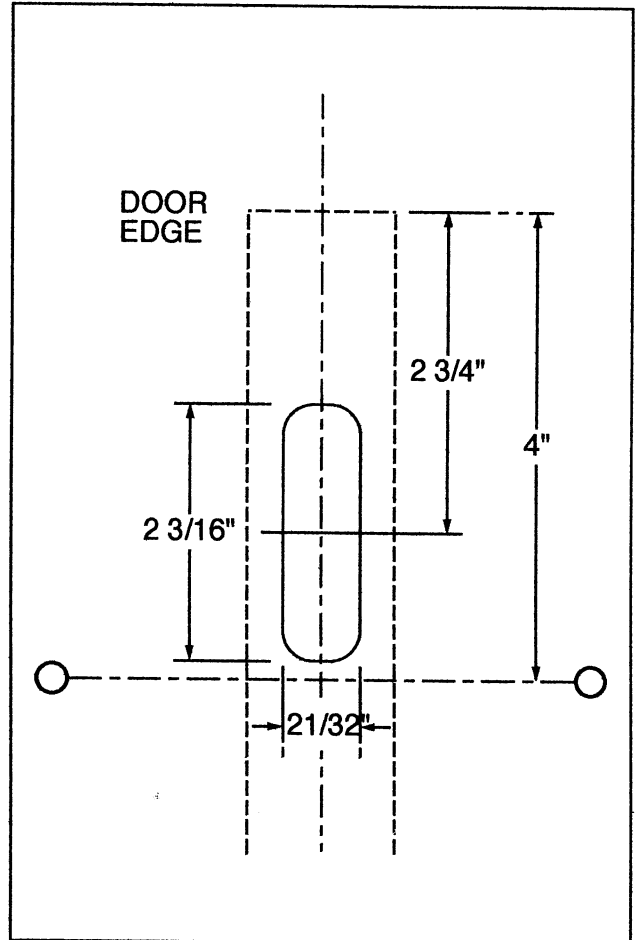


Use with RTS Endstop Pin

1 13/16" deep

ROUTER: PLUNGE
GUIDE BUSHING: 13/16"
BIT: 1/2"

N-RL 48B



Use with RTS Endstop Pin

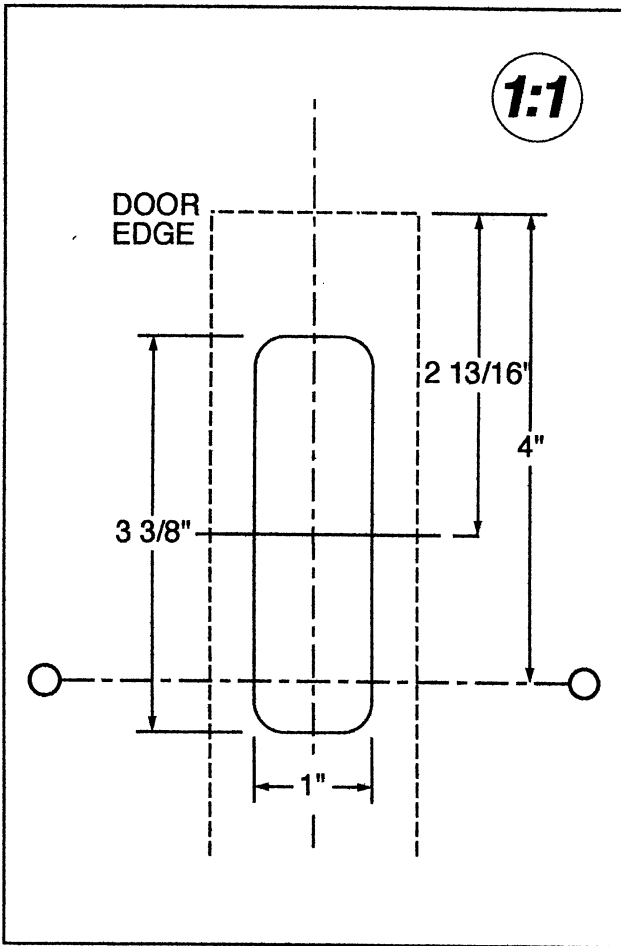
4-11-01

ROLLER LATCHES

3/16" deep

N-RL 49A

ROUTER: 1:1
GUIDE BUSHING: 3/4"
BIT: 3/4"

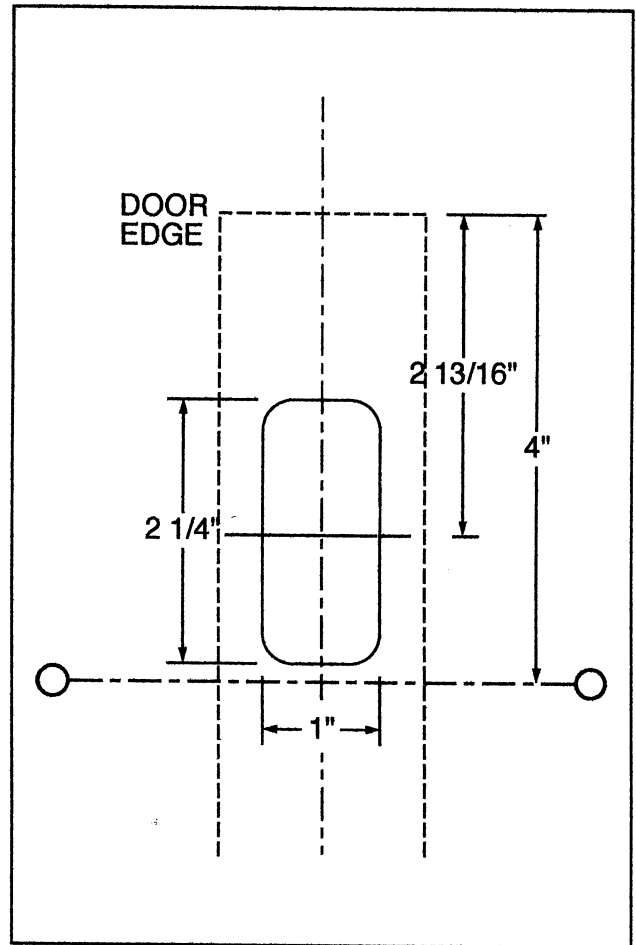


Use with RTS Endstop Pin

1 5/8" deep

N-RL 49B

ROUTER: PLUNGE
GUIDE BUSHING: 13/16"
BIT: 1/2"



Use with RTS Endstop Pin

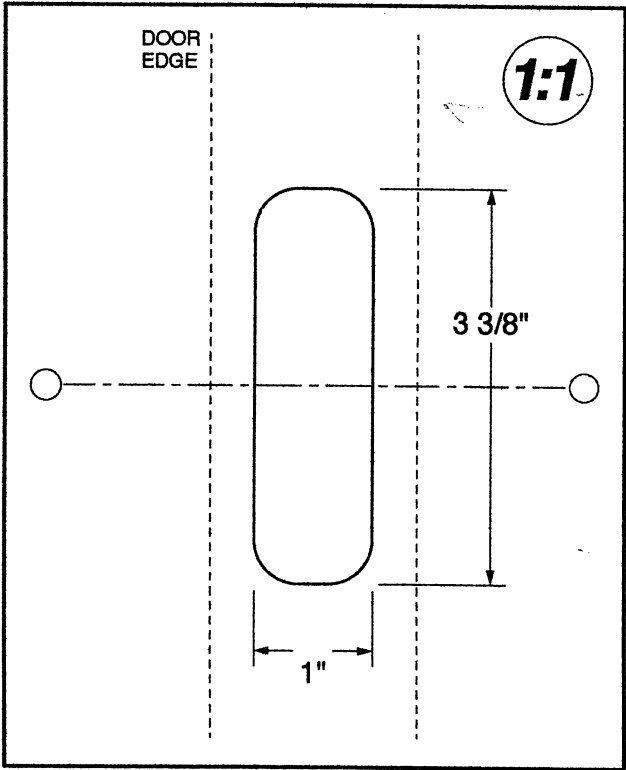
8-17-01

ROLLER LATCHES

3/16" deep

ROUTER: 1:1
GUIDE BUSHING: 3/4"
BIT: 3/4"

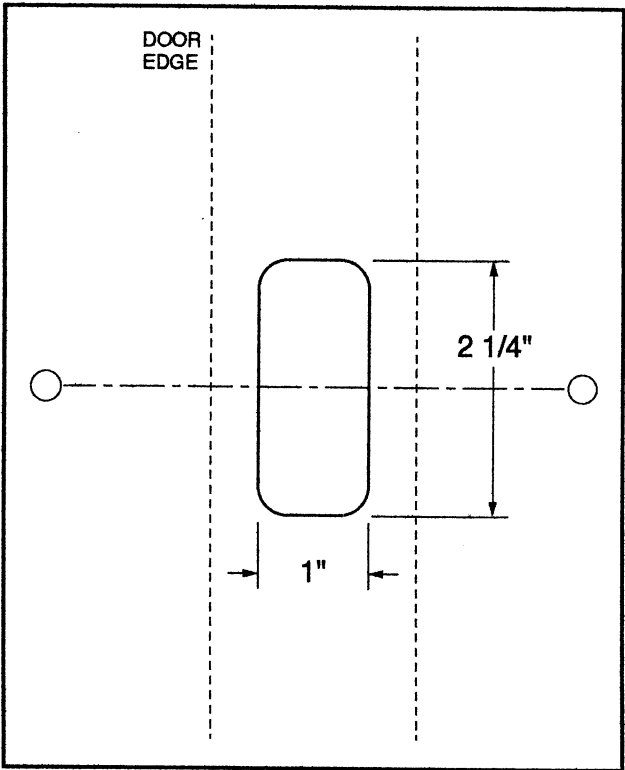
N-RL 50A



1 5/8" deep

ROUTER: PLUNGE
GUIDE BUSHING: 13/16"
BIT: 1/2"

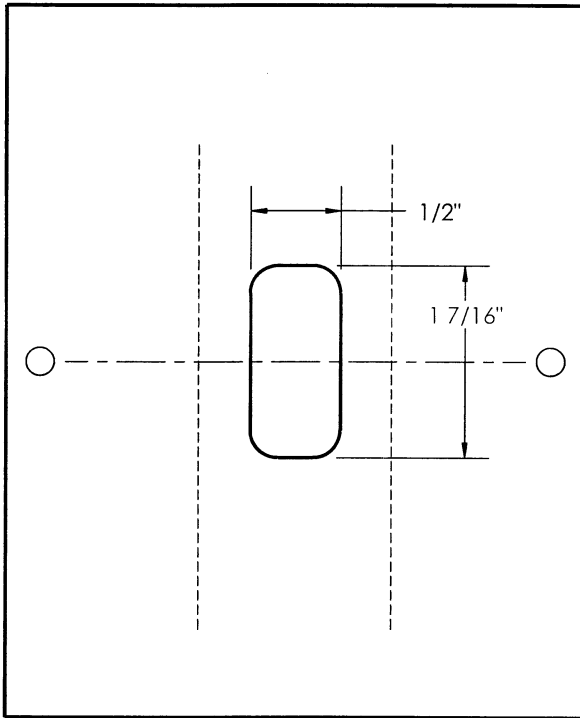
N-RL 50B



8-17-01

N-RL 51

ROUTER: PLUNGE
GUIDE BUSHING: 13/16"
BIT: 1/2"



Do not scale drawings.
Actual cutting dimensions are shown. Template dimensions are adjusted for router Guide-Bit difference.
Compare these drawings to manufacturer's template drawings to confirm:

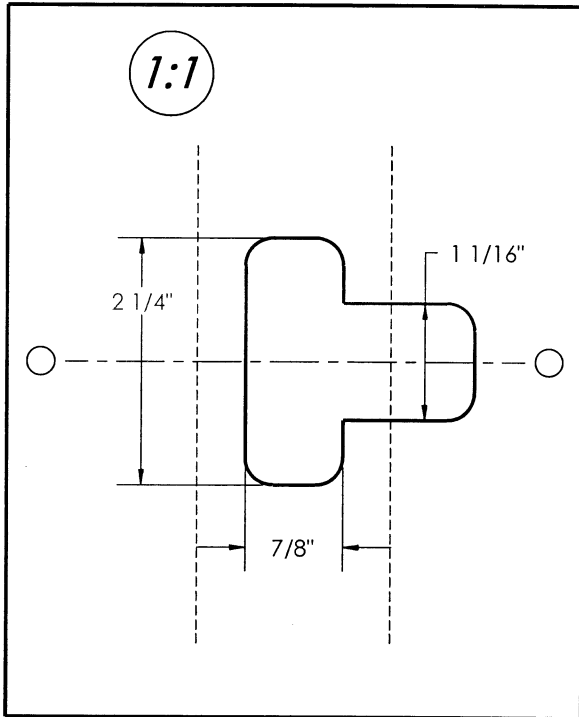
1. which portions of these templates apply;
2. relation of shown centerlines to those in manufacturer's template drawings or hardware;
3. correctness of dimensions.

6/16/03

1/16" deep

N-S 205

ROUTER: 1:1
GUIDE BUSHING: 3/4"
BIT: 3/4"



Do not scale drawings.
Actual cutting dimensions are shown. Template dimensions are adjusted for router Guide-Bit difference.
Compare these drawings to manufacturer's template drawings to confirm:

1. which portions of these templates apply;
2. relation of shown centerlines to those in manufacturer's template drawings or hardware;
3. correctness of dimensions.

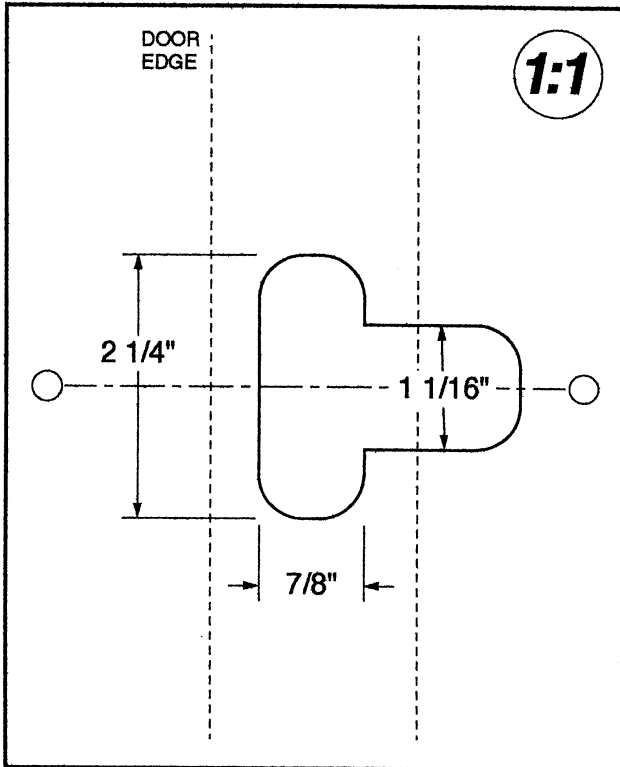
6/11/03

STRIKES

1/8" deep

ROUTER: 1:1
GUIDE BUSHING: 3/4"
BIT: 3/4"

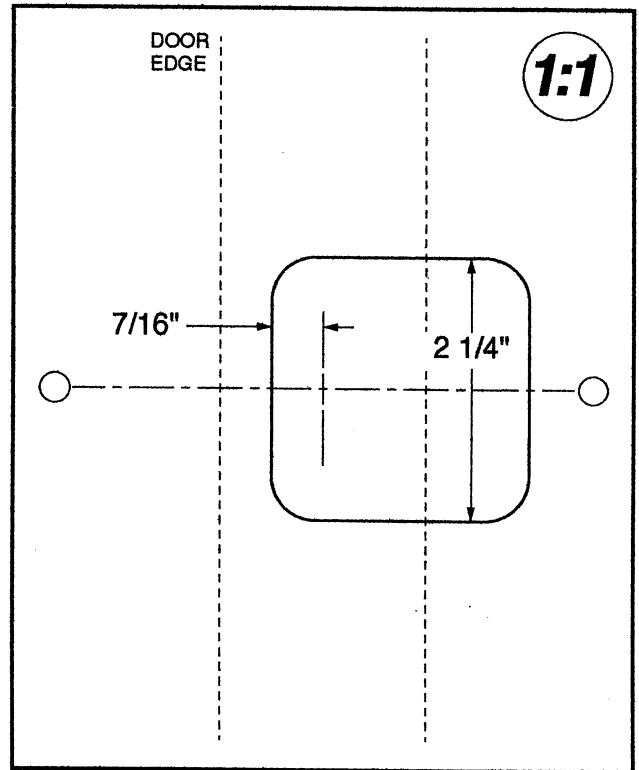
N-S 204



1/8" deep

ROUTER: 1:1
GUIDE BUSHING: 3/4"
BIT: 3/4"

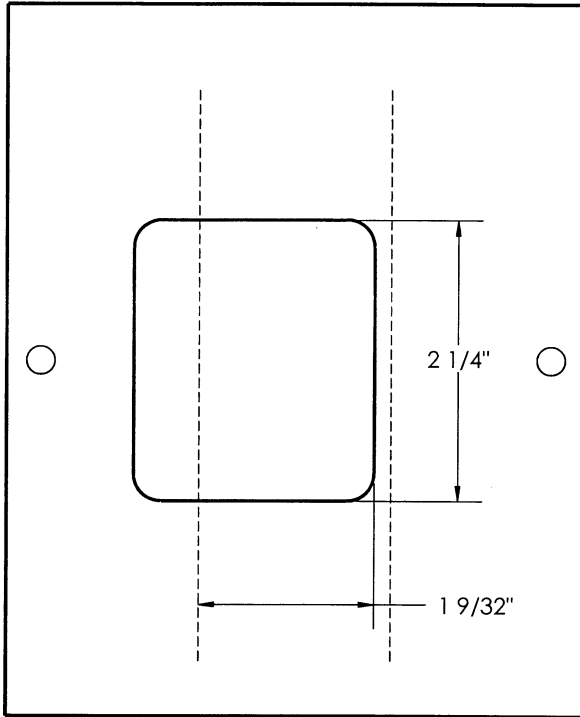
N-S 214



For general use, select N-S 222.

N-S 216

ROUTER: PLUNGE
GUIDE BUSHING: 13/16"
BIT: 1/2"



Do not scale drawings.

Actual cutting dimensions are shown. Template dimensions are adjusted for router Guide-Bit difference. Compare these drawings to manufacturer's template drawings to confirm:

1. which portions of these templates apply;
2. relation of shown centerlines to those in manufacturer's template drawings or hardware;
3. correctness of dimensions.

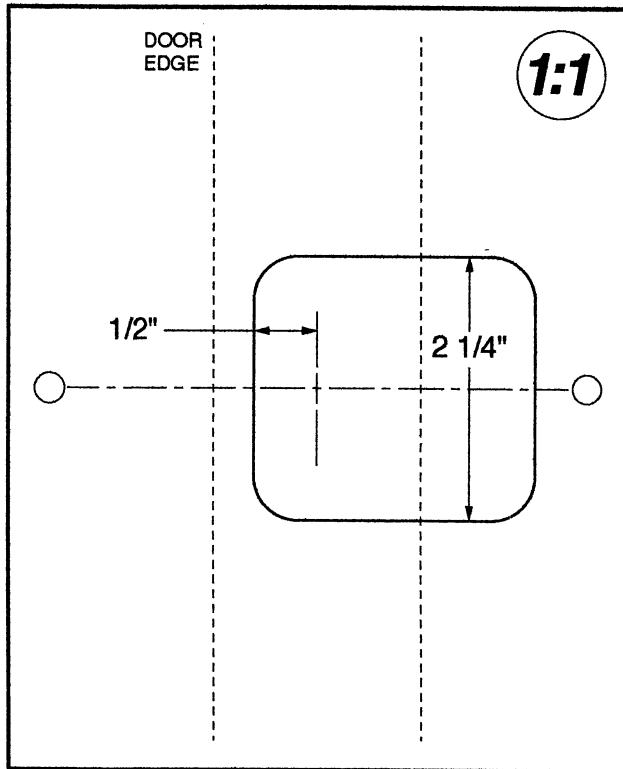
6/13/03

STRIKES

1/16" deep
3/32" deep
5/32" deep
7/32" deep

N-S 222
N-S 223
N-S 225
N-S 227

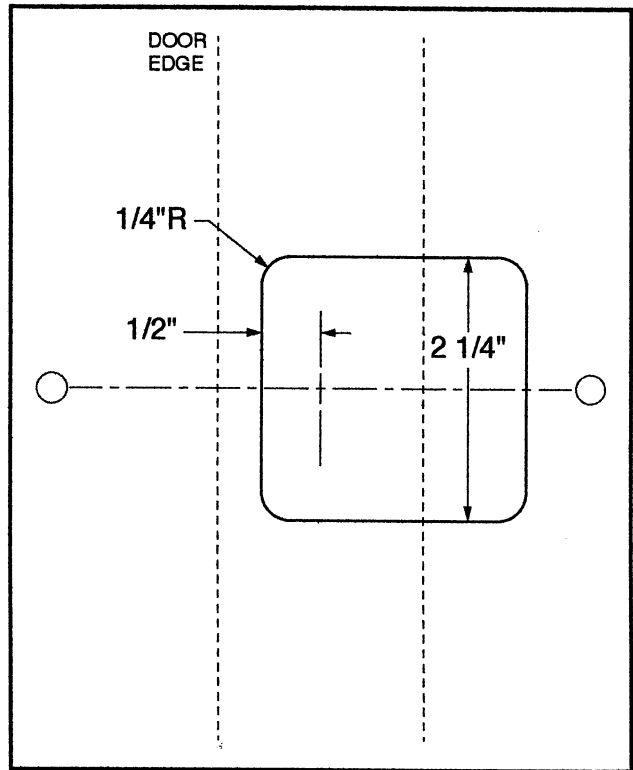
ROUTER: 1:1
GUIDE BUSHING: 3/4"
BIT: 3/4"



1/16" deep

N-S 232

ROUTER: PLUNGE
GUIDE BUSHING: 13/16"
BIT: 1/2"

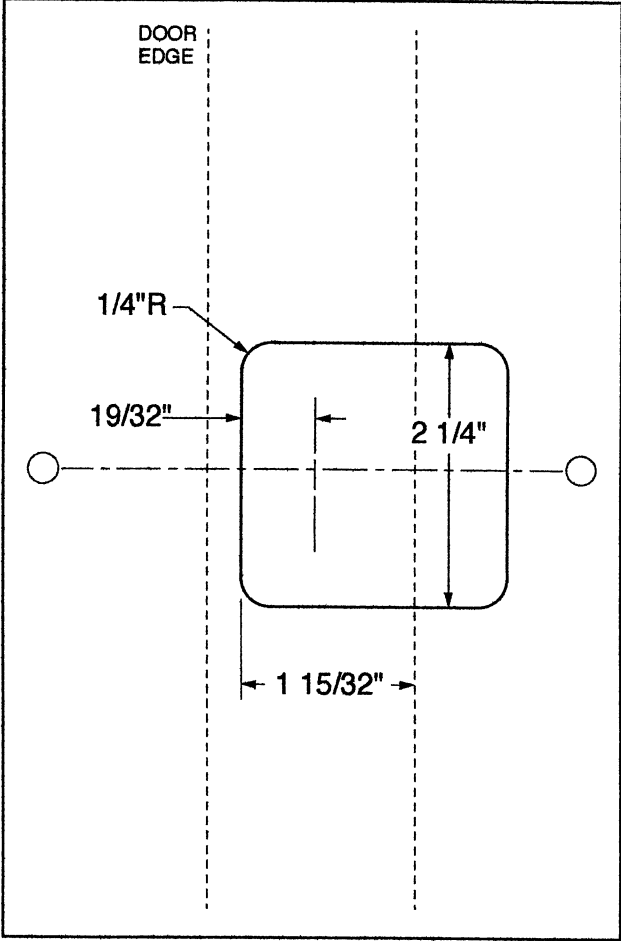


STRIKES

3/32" deep

N-S 233A

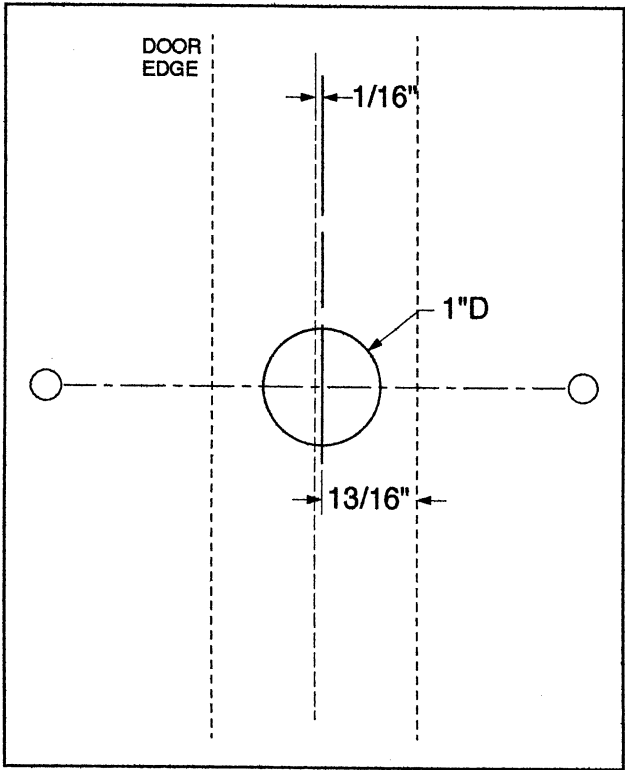
ROUTER: PLUNGE
GUIDE BUSHING: 13/16"
BIT: 1/2"



15/32" deep

N-S 233B

ROUTER: PLUNGE
GUIDE BUSHING: 13/16"
BIT: 1/2"

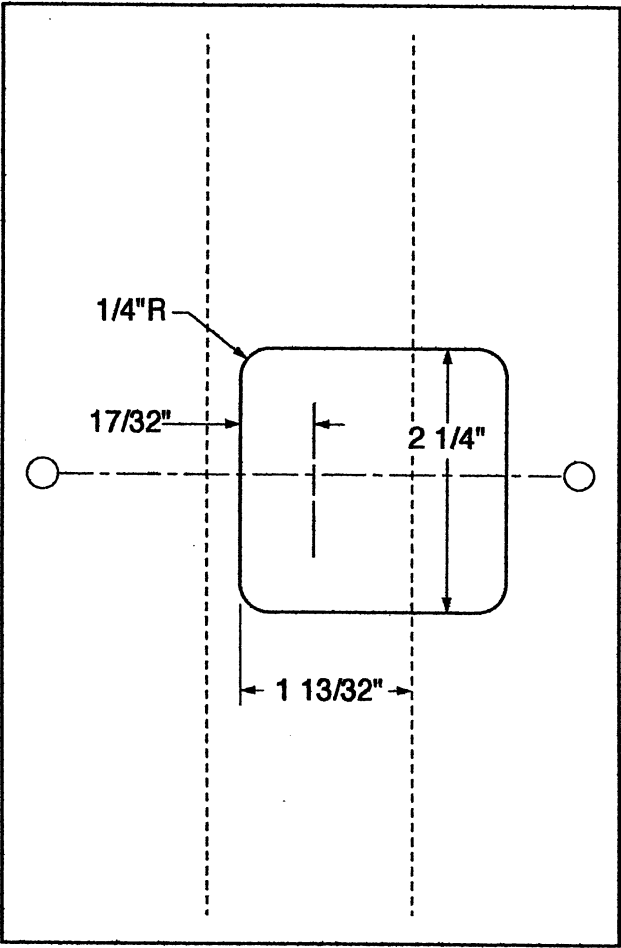


STRIKES

3/32" deep

N-S 234A

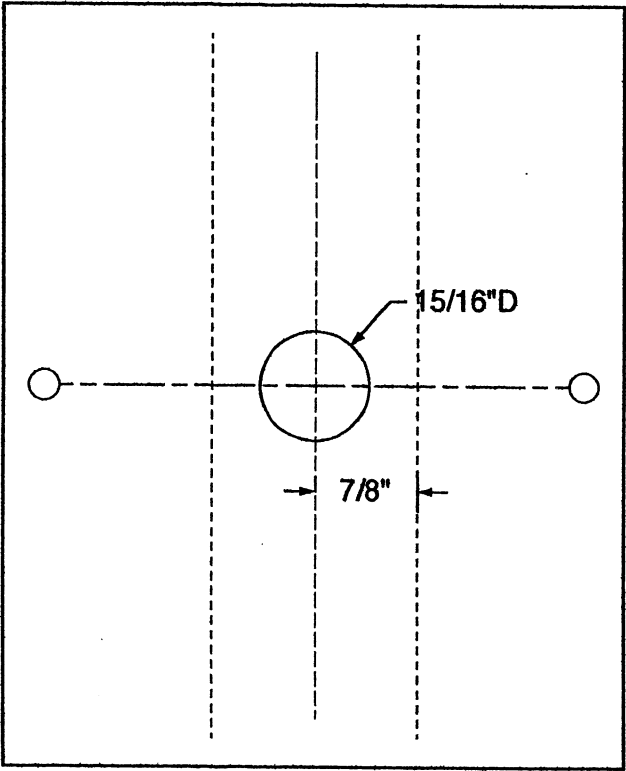
ROUTER: PLUNGE
GUIDE BUSHING: 13/16"
BIT: 1/2"



15/32" deep

N-S 234B

ROUTER: PLUNGE
GUIDE BUSHING: 13/16"
BIT: 1/2"



Same as C-15/16

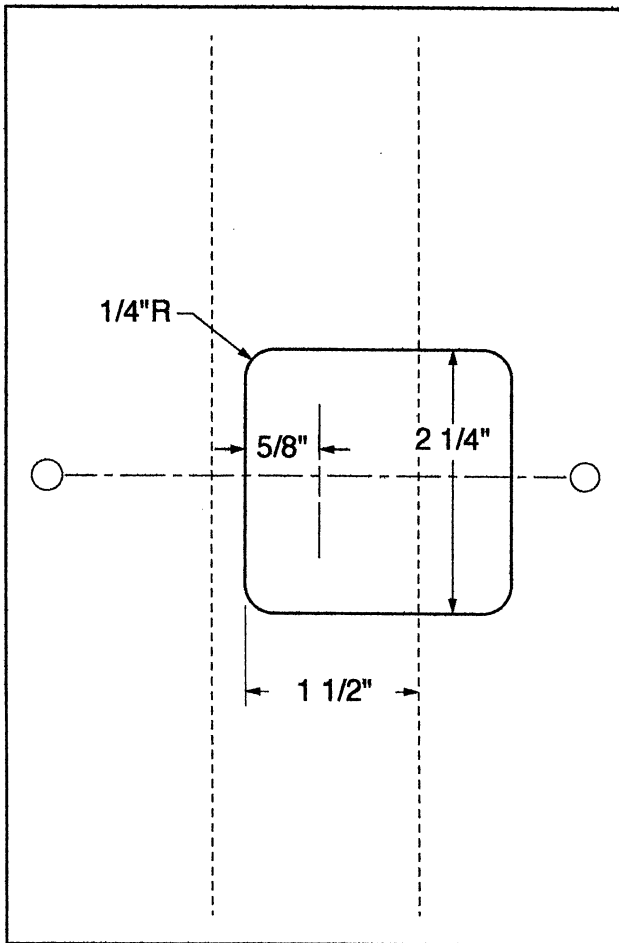
9-4-96

STRIKES

3/32" deep

N-S 235

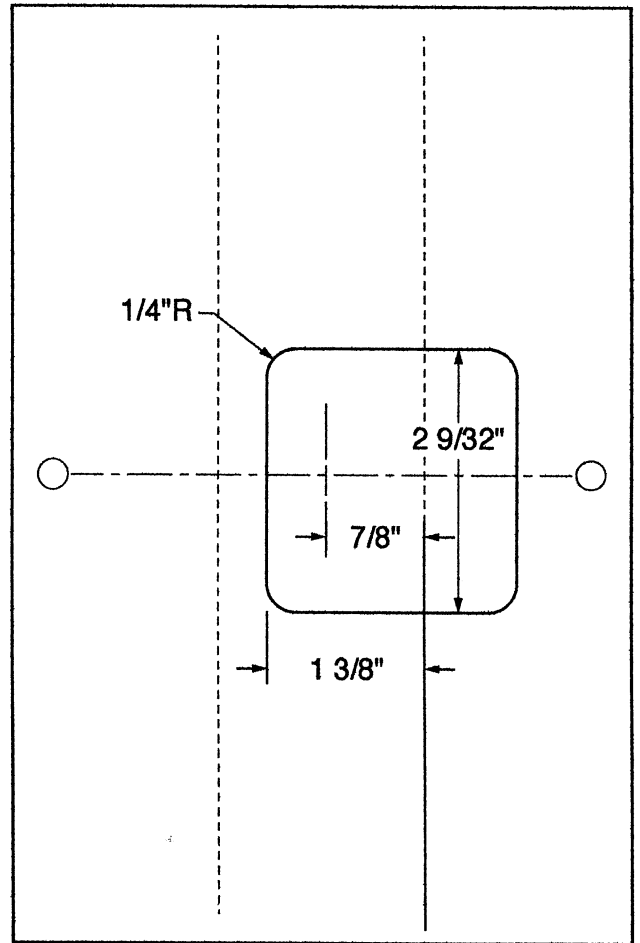
ROUTER: PLUNGE
GUIDE BUSHING: 13/16"
BIT: 1/2"



1/16" deep

N-S 236

ROUTER: PLUNGE
GUIDE BUSHING: 13/16"
BIT: 1/2"



Use with either C 1" or C 7/8" for
appropriate Bore Hole

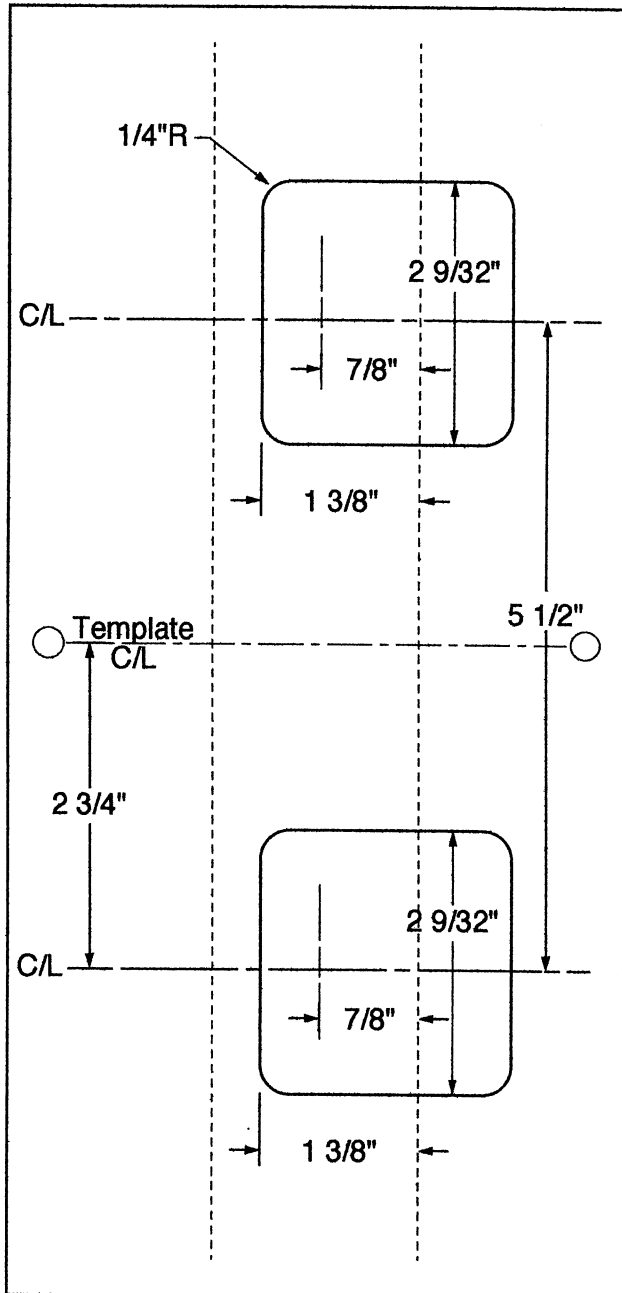
11-20-98

STRIKES

1/16" deep

N-S 237A

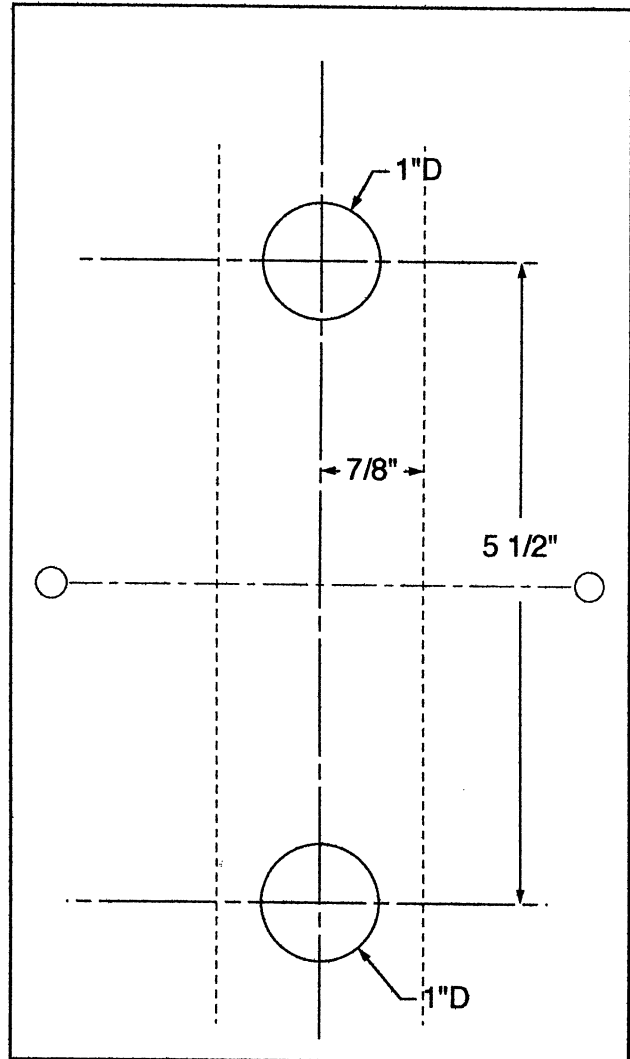
ROUTER: PLUNGE
GUIDE BUSHING: 13/16"
BIT: 1/2"



1/2" deep

N-S 237B

ROUTER: PLUNGE
GUIDE BUSHING: 13/16"
BIT: 1/2"



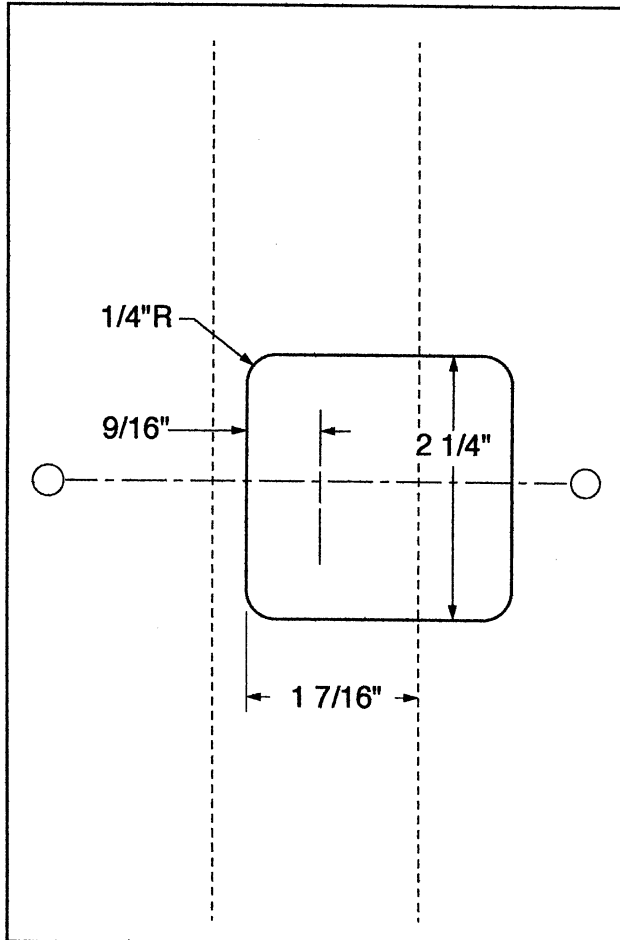
11-20-98

STRIKES

1/16" deep

N-S 238

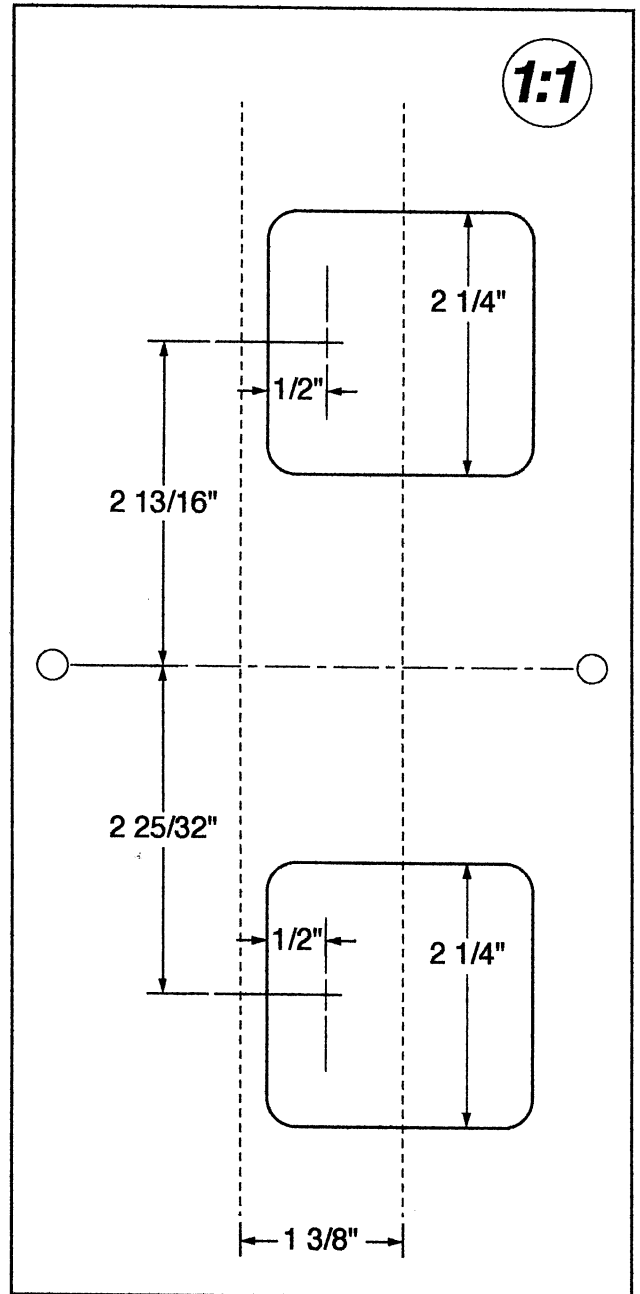
ROUTER: PLUNGE
GUIDE BUSHING: 13/16"
BIT: 1/2"



3/16" deep

N-S 239

ROUTER: PLUNGE
GUIDE BUSHING: 13/16"
BIT: 1/2"



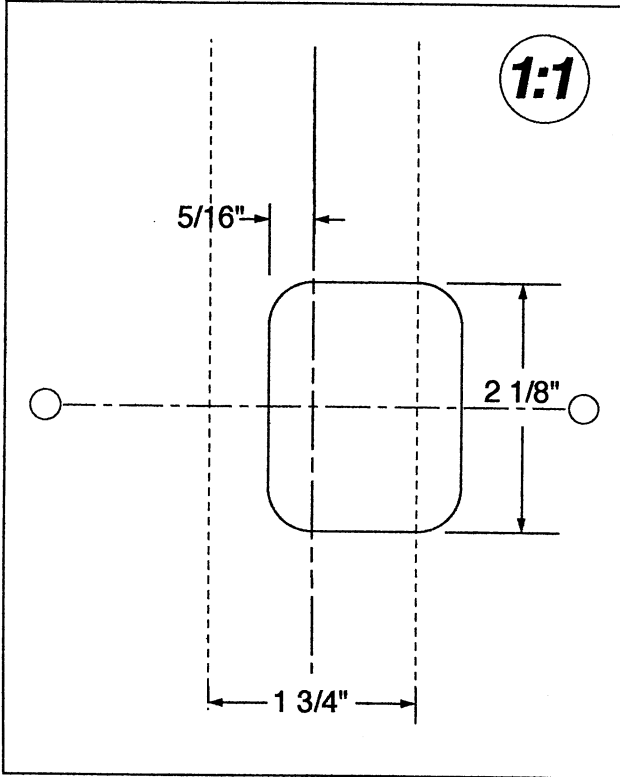
4-11-01

STRIKES

1/16" deep

N-S 240A

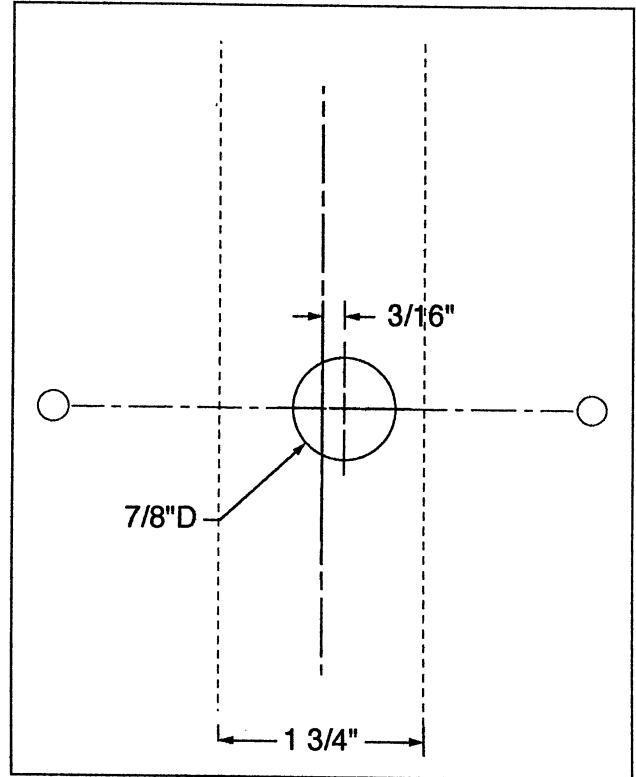
ROUTER: 1:1
GUIDE BUSHING: 3/4"
BIT: 3/4"



5/16" deep

N-S 240B

ROUTER: Plunge
GUIDE BUSHING: 13/16"
BIT: 1/2"



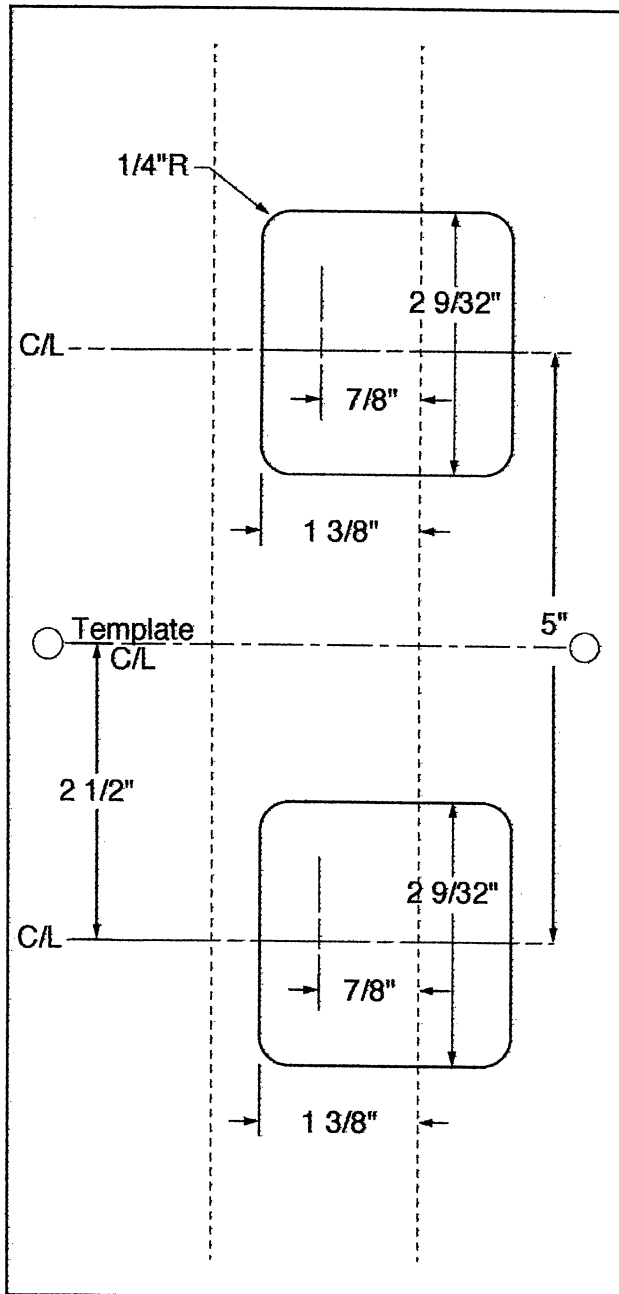
6-28-00

STRIKES

1/16" deep

N-S 241A

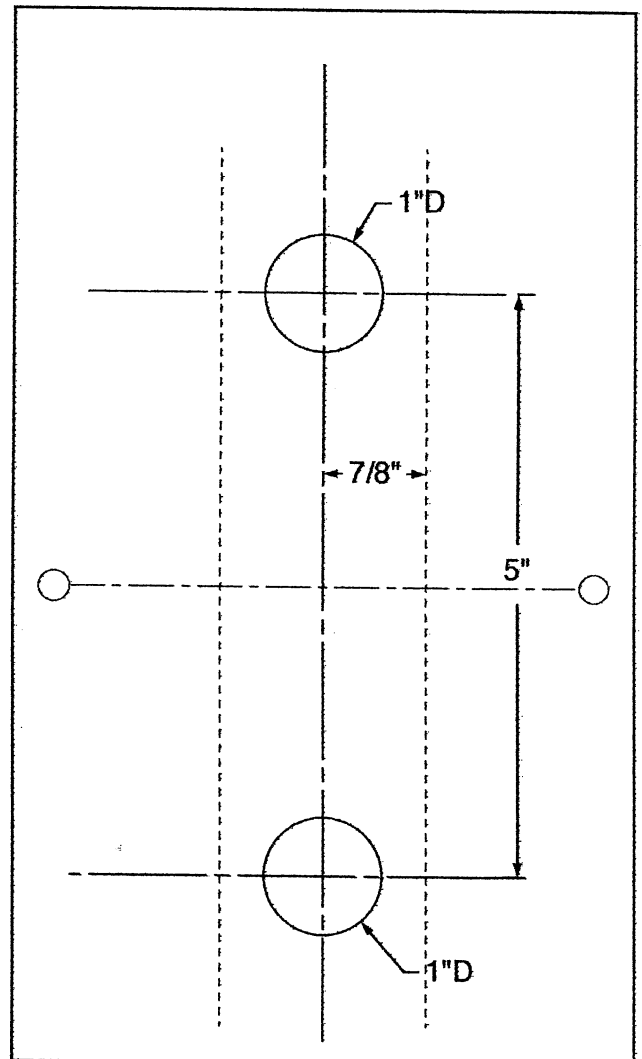
ROUTER: PLUNGE
GUIDE BUSHING: 13/16"
BIT: 1/2"



1/2" deep

N-S 241B

ROUTER: PLUNGE
GUIDE BUSHING: 13/16"
BIT: 1/2"



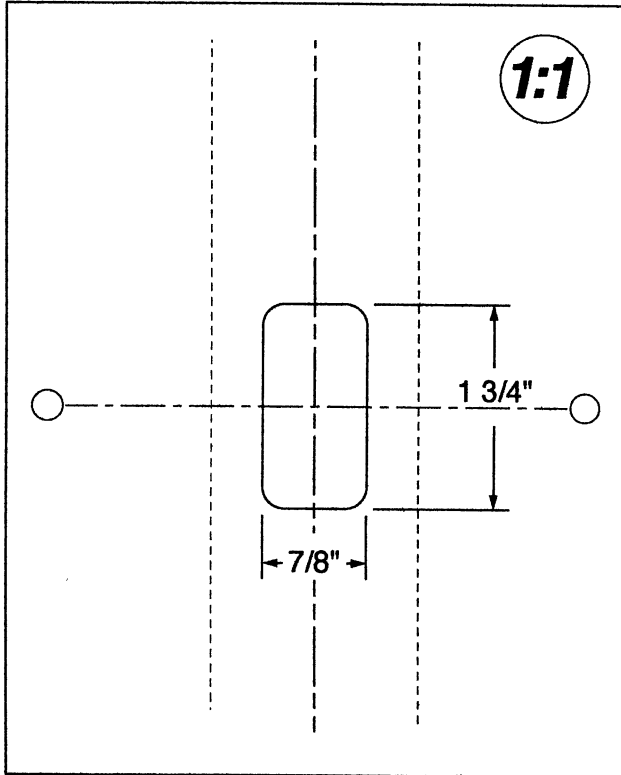
7-10-01

STRIKES

1/16" deep

N-S 242

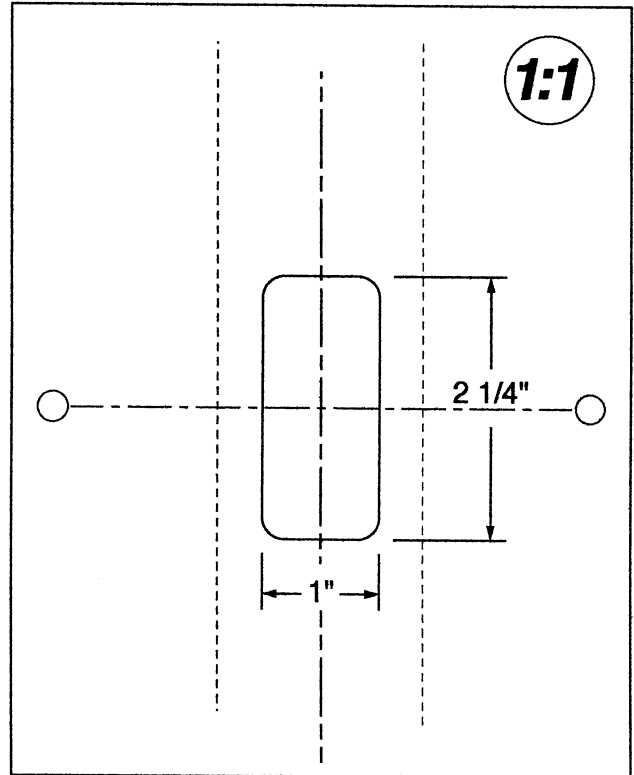
ROUTER: 1:1
GUIDE BUSHING: 3/4"
BIT: 3/4"



3/32" deep

N-S 243

ROUTER: 1:1
GUIDE BUSHING: 3/4"
BIT: 3/4"



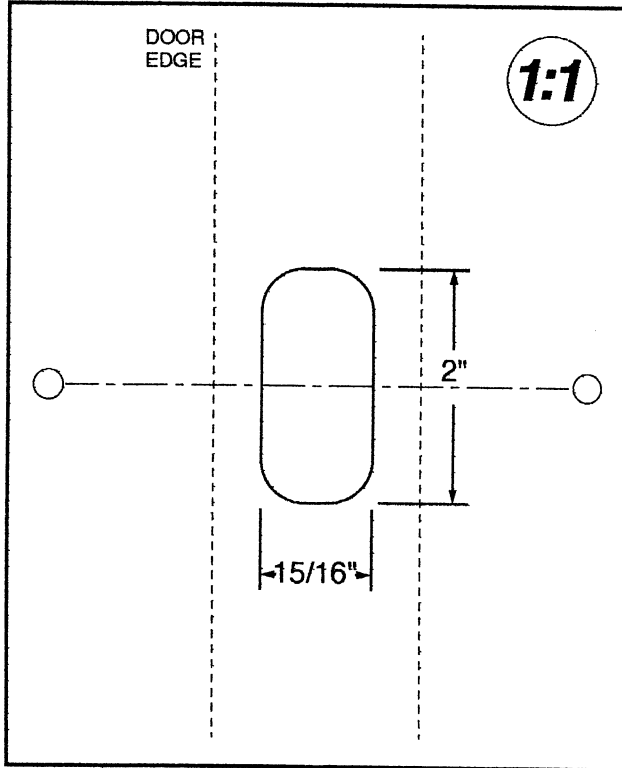
1-25-01

STRIKES

1/16" deep

N-S 244

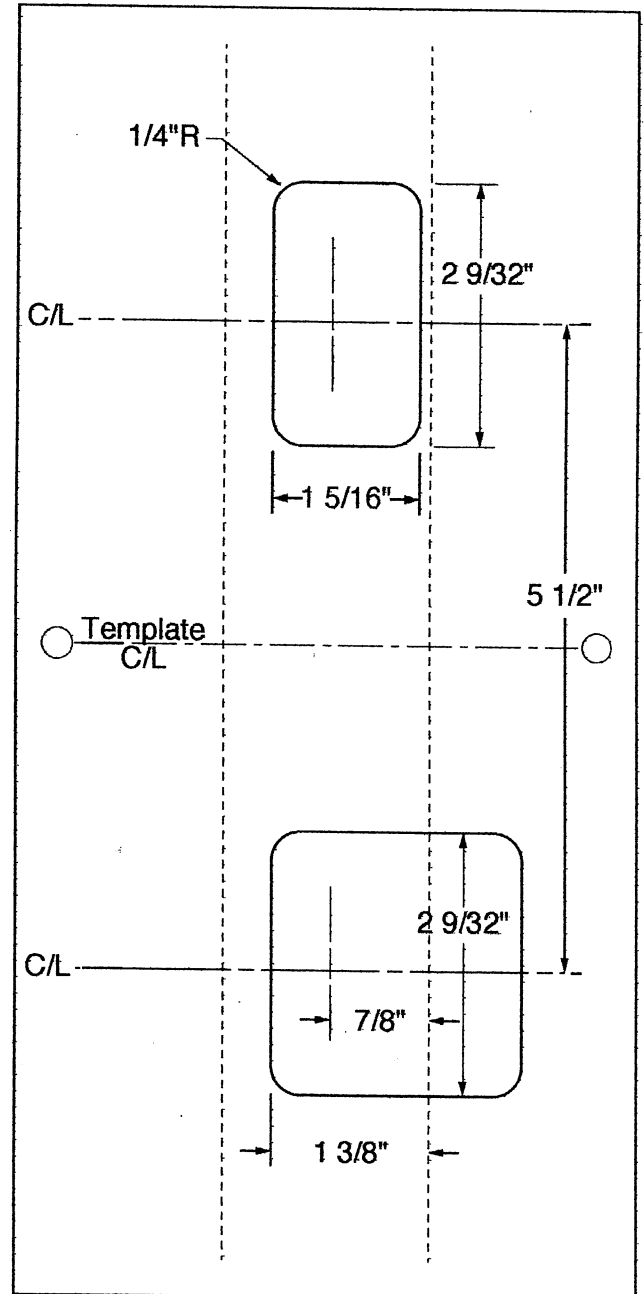
ROUTER: 1:1
GUIDE BUSHING: 3/4"
BIT: 3/4"



1/16" deep

N-S 245

ROUTER: PLUNGE
GUIDE BUSHING: 13/16"
BIT: 1/2"



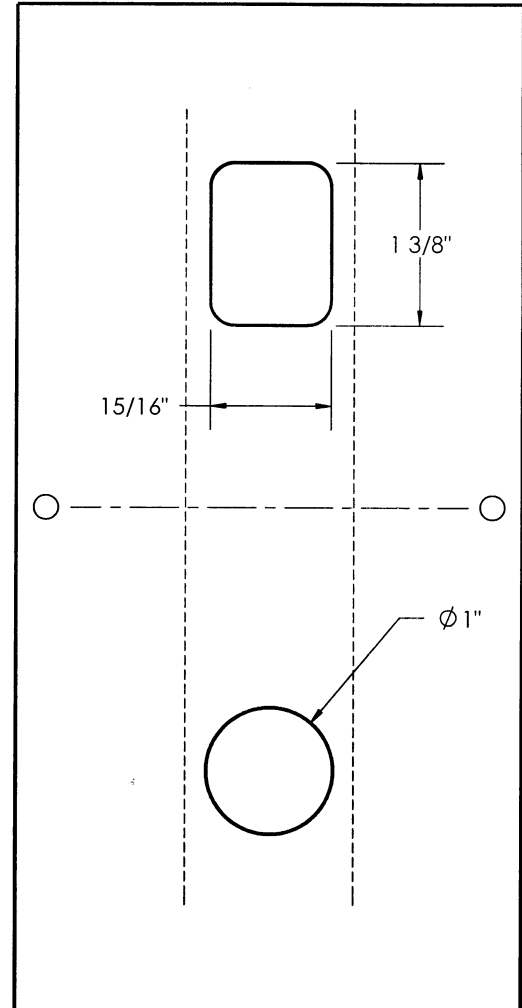
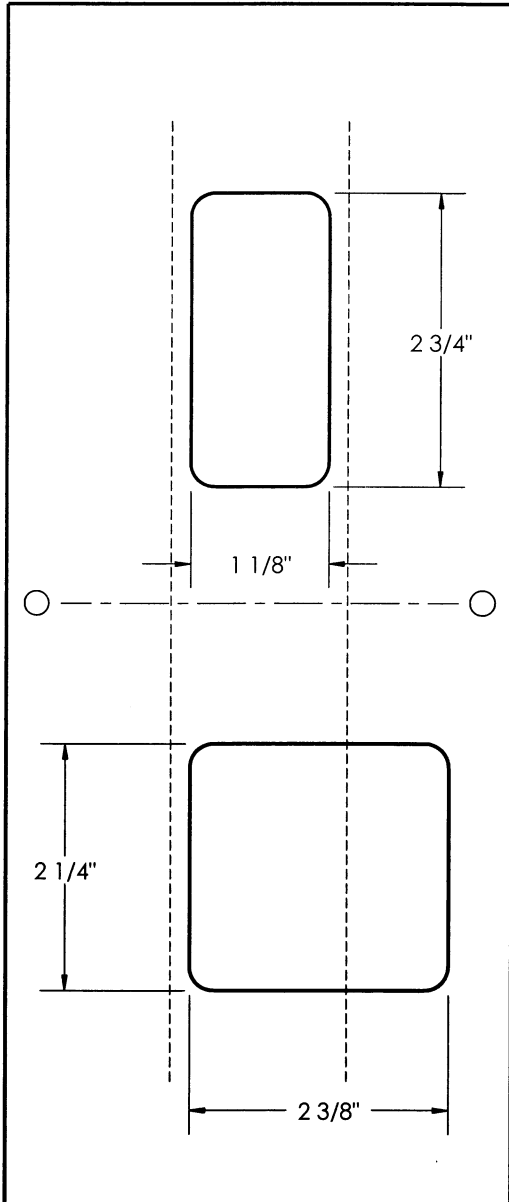
3-27-01

N-S 246

N-S 247

ROUTER: PLUNGE
GUIDE BUSHING: 13/16"
BIT: 1/2"

ROUTER: PLUNGE
GUIDE BUSHING: 13/16"
BIT: 1/2"



Do not scale drawings.
Actual cutting dimensions are shown. Template dimensions are adjusted for router Guide-Bit difference.
Compare these drawings to manufacturer's template drawings to confirm:

1. which portions of these templates apply;
2. relation of shown centerlines to those in manufacturer's template drawings or hardware;
3. correctness of dimensions.

6/04/03

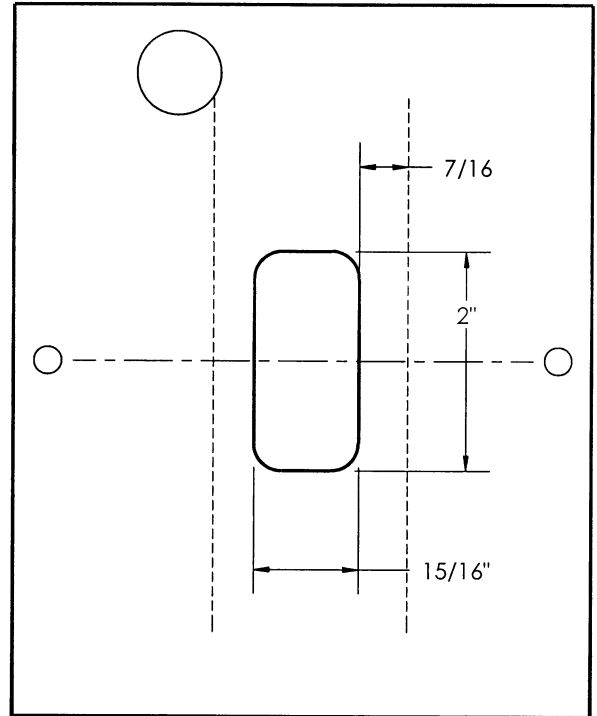
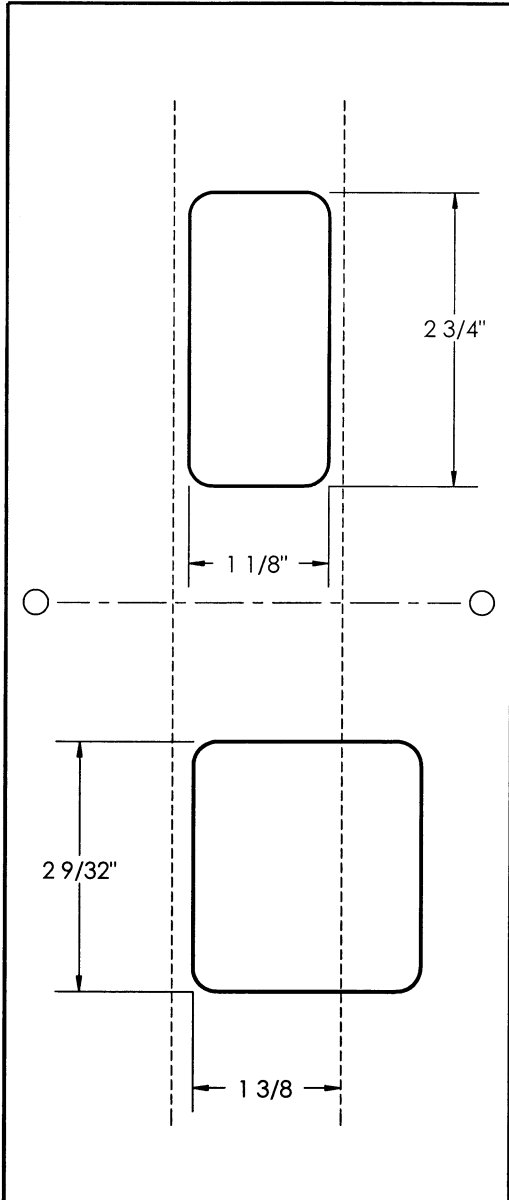
N-S 248

1/16" DEEP

N-S 250

ROUTER: PLUNGE
GUIDE BUSHING: 13/16"
BIT: 1/2"

ROUTER: 1:1
GUIDE BUSHING: 3/4"
BIT: 3/4"



Do not scale drawings.
Actual cutting dimensions are shown. Template dimensions are adjusted for router Guide-Bit difference.
Compare these drawings to manufacturer's template drawings to confirm:

1. which portions of these templates apply;
2. relation of shown centerlines to those in manufacturer's template drawings or hardware;
3. correctness of dimensions.

6/05/03

1/16" deep

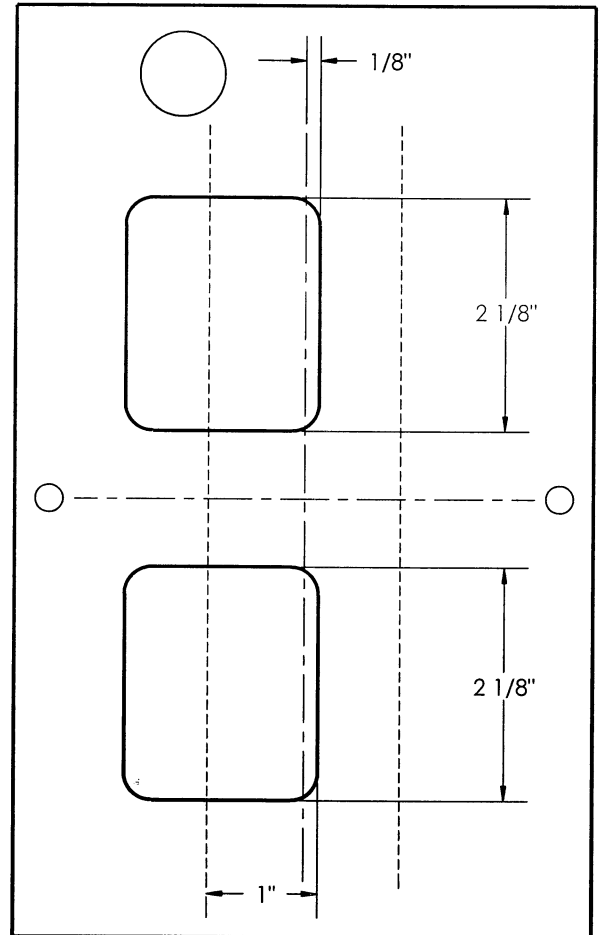
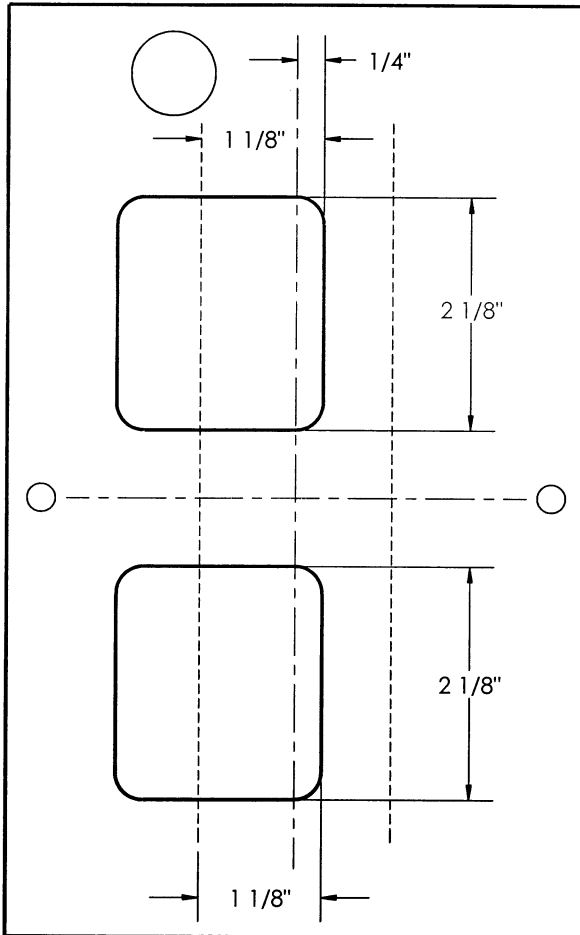
N-S 251

1/16" deep

N-S 252

ROUTER: 1:1
GUIDE BUSHING: 3/4"
BIT: 3/4"

ROUTER: 1:1
GUIDE BUSHING: 3/4"
BIT: 3/4"



Do not scale drawings.
Actual cutting dimensions are shown. Template dimensions are adjusted for router Guide-Bit difference.
Compare these drawings to manufacturer's template drawings to confirm:

1. which portions of these templates apply;
2. relation of shown centerlines to those in manufacturer's template drawings or hardware;
3. correctness of dimensions.

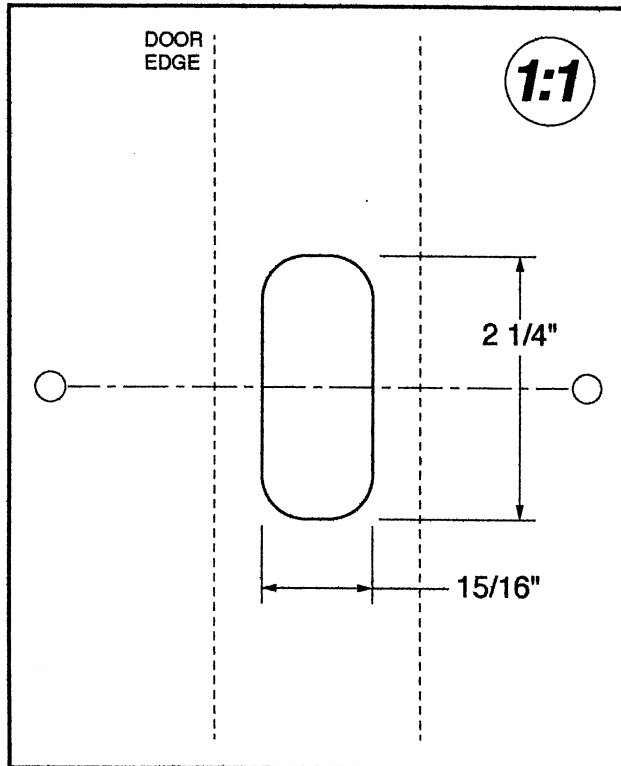
6/09/03

STRIKES

3/32" deep

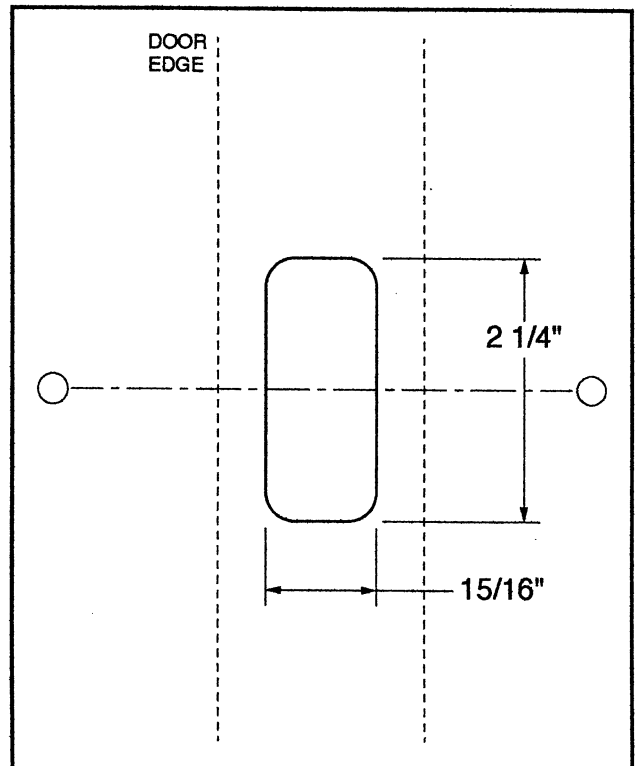
N-S 253

ROUTER: 1:1
GUIDE BUSHING: 3/4"
BIT: 3/4"



N-S 273

ROUTER: Plunge
GUIDE BUSHING: 13/16"
BIT: 1/2"



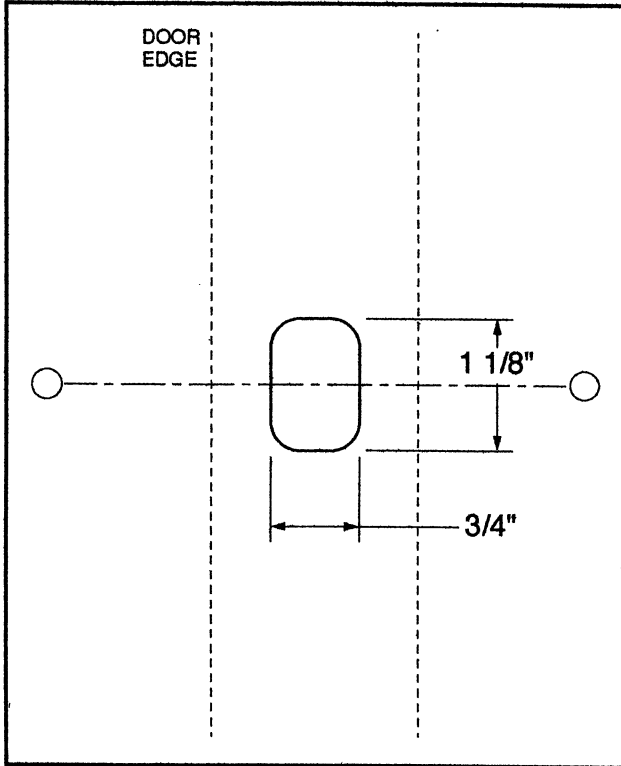
10-4-94

STRIKES

1-1/16" deep

N-S 280

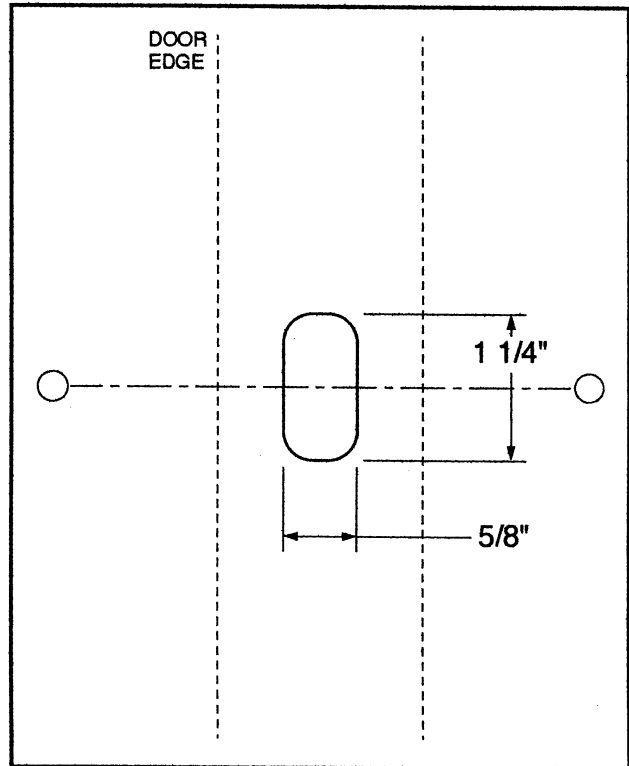
ROUTER: PLUNGE
GUIDE BUSHING: 13/16"
BIT: 1/2"



1/4" deep

N-S 281

ROUTER: PLUNGE
GUIDE BUSHING: 13/16"
BIT: 1/2"

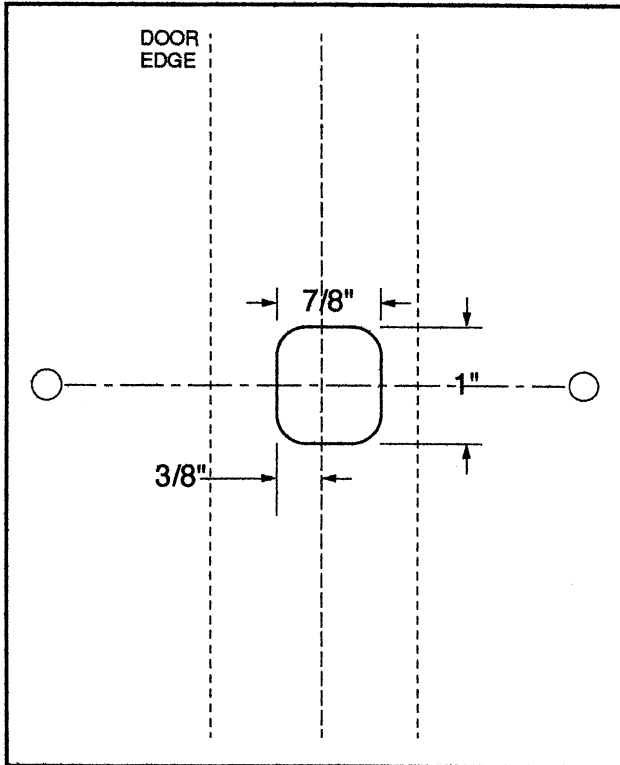


STRIKES

7/16" deep

N-S 282

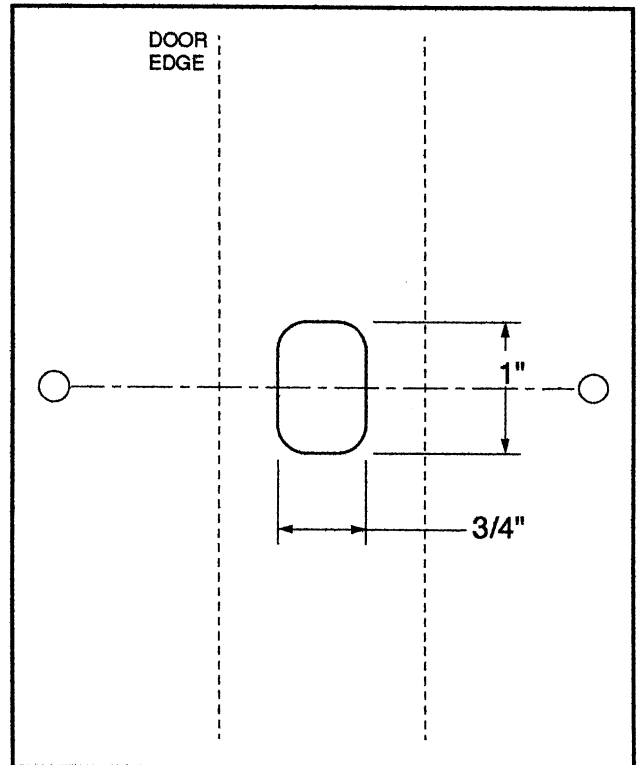
ROUTER: PLUNGE
GUIDE BUSHING: 13/16"
BIT: 1/2"



9/16" deep

N-S 284

ROUTER: PLUNGE
GUIDE BUSHING: 13/16"
BIT: 1/2"



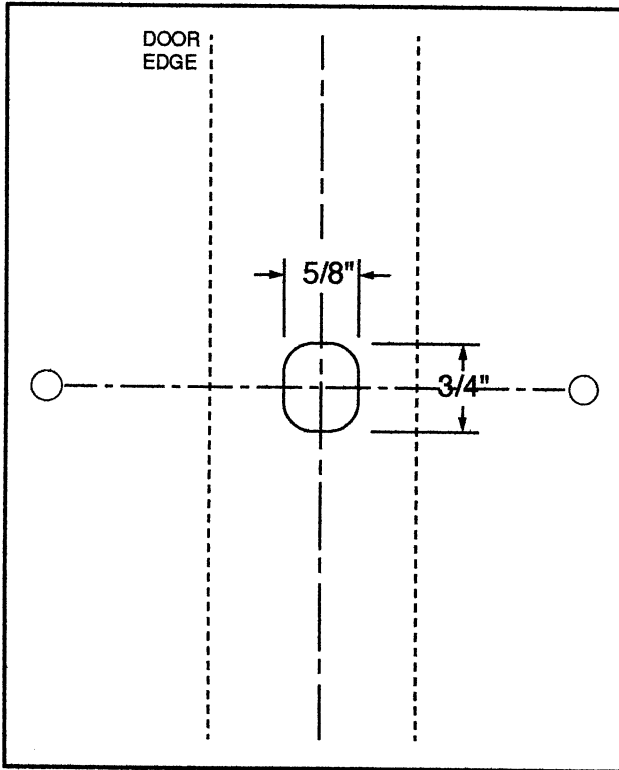
10-14-97

STRIKES

1" deep

N-S 285

ROUTER: PLUNGE
GUIDE BUSHING: 13/16"
BIT: 1/2"



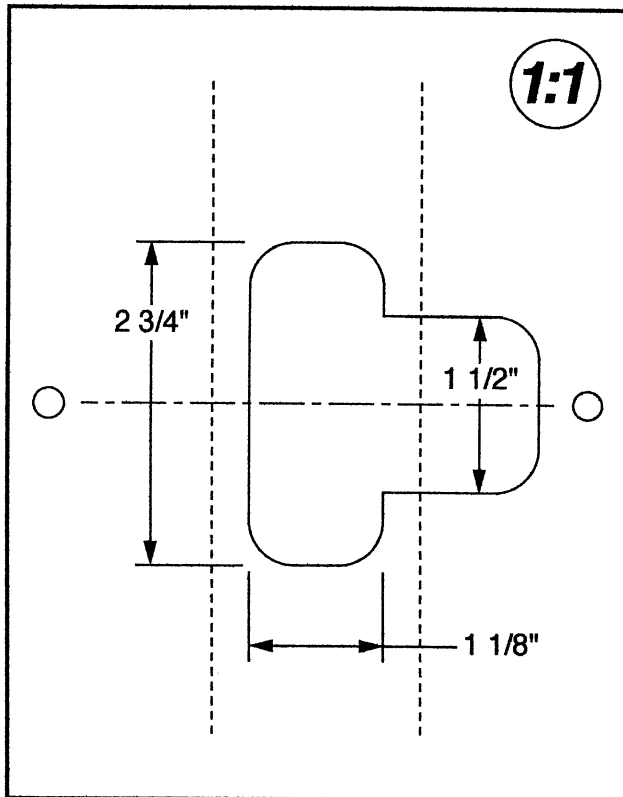
1-25-01

STRIKES

1/16" deep
3/32" deep
1/8" deep

N-S 302
N-S 303
N-S 304

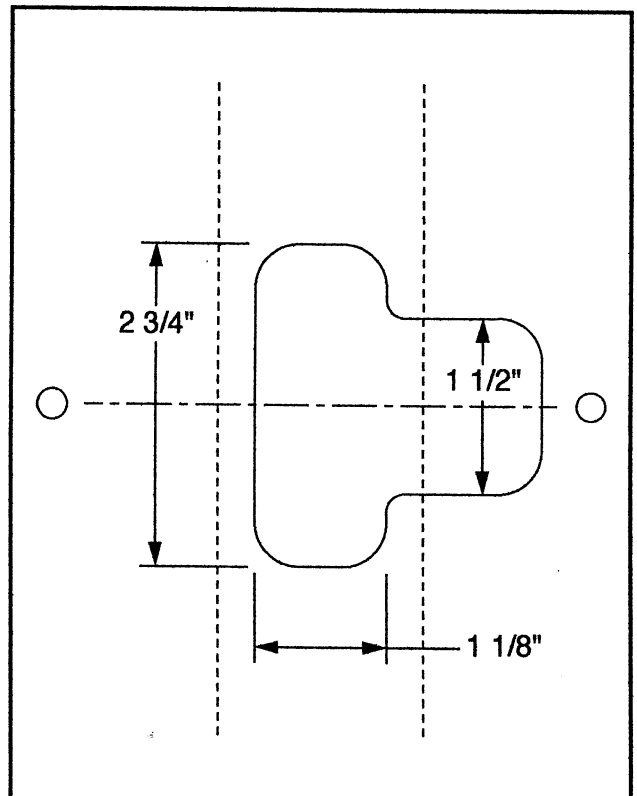
ROUTER: 1:1
GUIDE BUSHING: 3/4"
BIT: 3/4"



For Standard T-Lipped Strike (1-1/8 x 2-3/4)

N-S 310

ROUTER: PLUNGE
GUIDE BUSHING: 13/16"
BIT: 1/2"



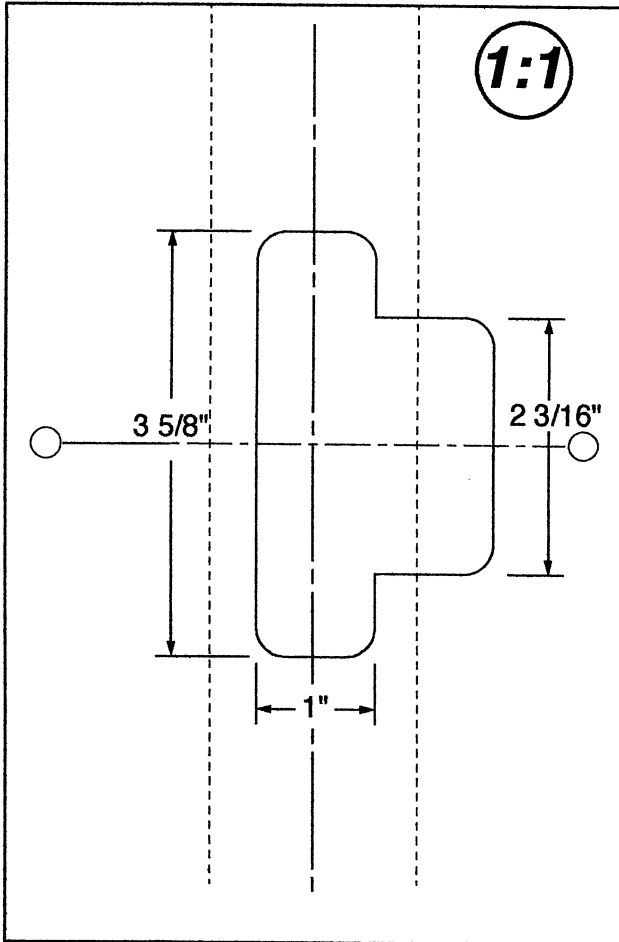
For deeper than normal mortise.
Creates rounded outside corners.

STRIKES

3/32" deep

N-S 313

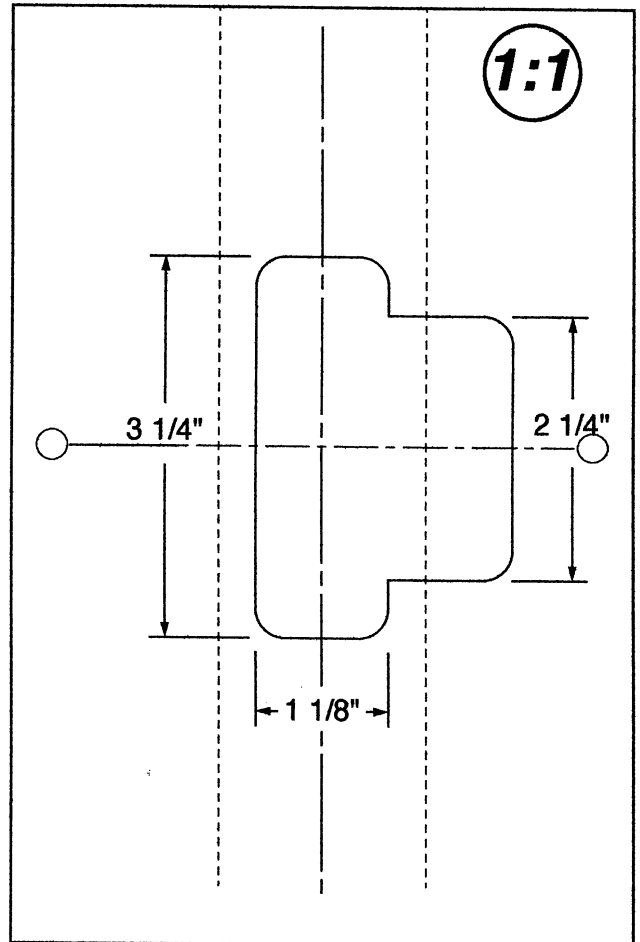
ROUTER: 1:1
GUIDE BUSHING: 3/4"
BIT: 3/4"



3/32" deep

N-S 314

ROUTER: 1:1
GUIDE BUSHING: 3/4"
BIT: 3/4"

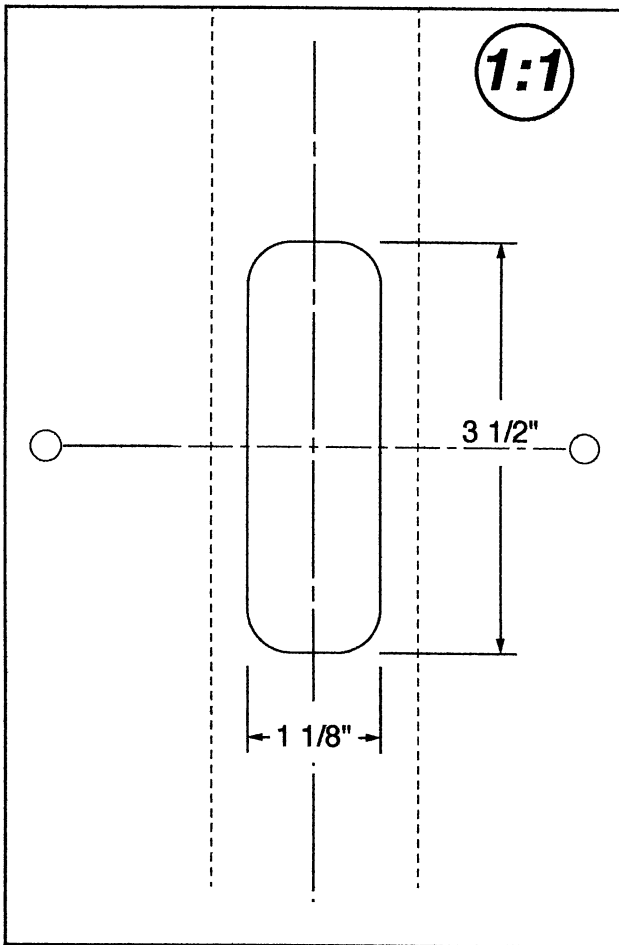


STRIKES

3/32" deep

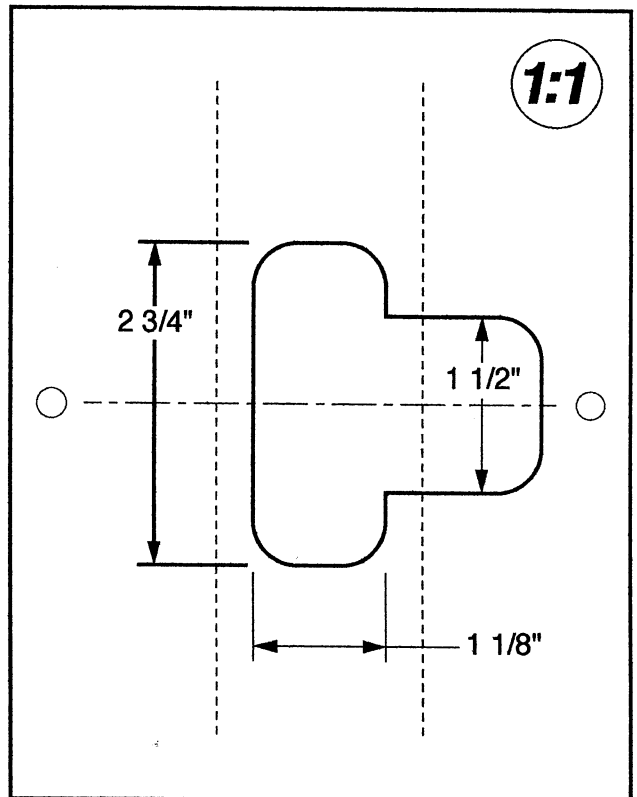
N-S 315

ROUTER: 1:1
GUIDE BUSHING: 3/4"
BIT: 3/4"



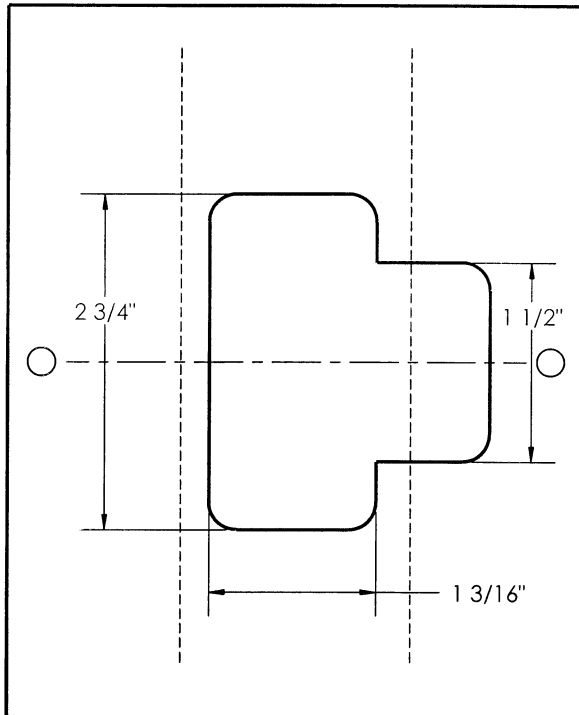
N-S 320

ROUTER: 1:1
GUIDE BUSHING: 3/4"
BIT: 3/4"



N-S 321

ROUTER: PLUNGE
GUIDE BUSHING: 13/16"
BIT: 1/2"



Do not scale drawings.

Actual cutting dimensions are shown. Template dimensions are adjusted for router Guide-Bit difference. Compare these drawings to manufacturer's template drawings to confirm:

1. which portions of these templates apply;
2. relation of shown centerlines to those in manufacturer's template drawings or hardware;
3. correctness of dimensions.

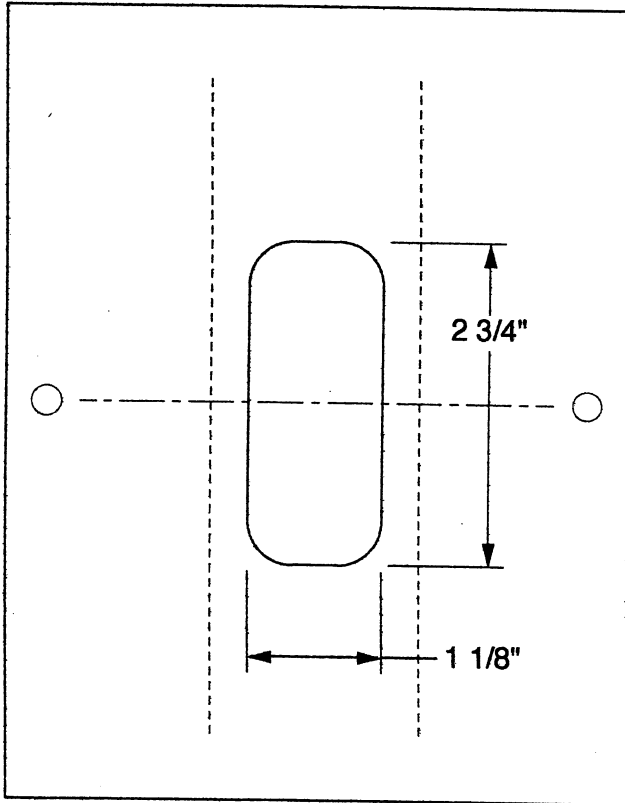
6/13/03

STRIKES

1/16" deep
3/32" deep
1/8" deep

N-S 352
N-S 353
N-S 354

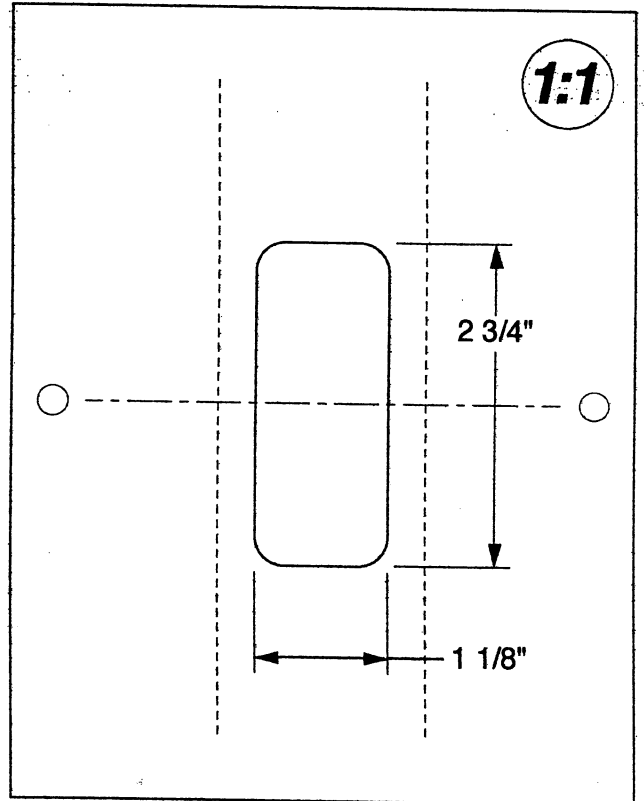
ROUTER: PLUNGE
GUIDE BUSHING: 13/16"
BIT: 1/2"



1/4" deep

N-S 358

ROUTER: 1:1
GUIDE BUSHING: 3/4"
BIT: 3/4"

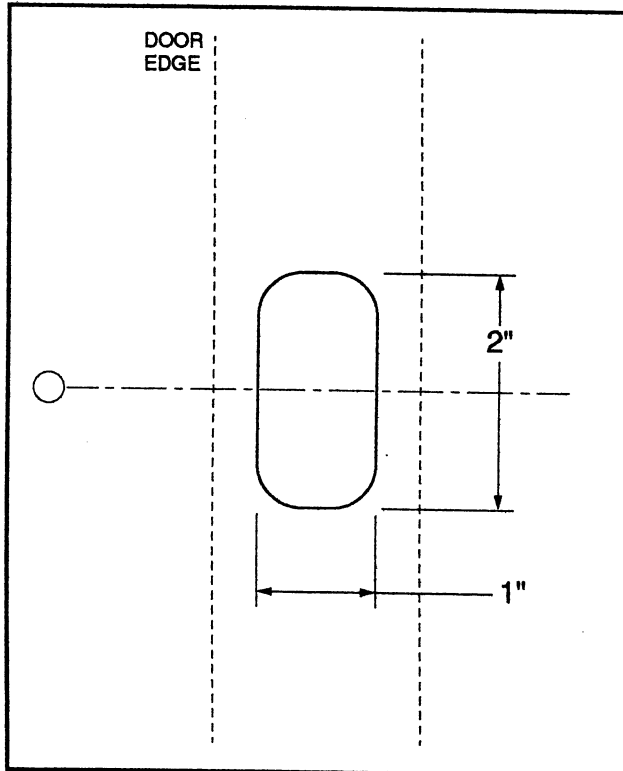


STRIKES

3/16" deep

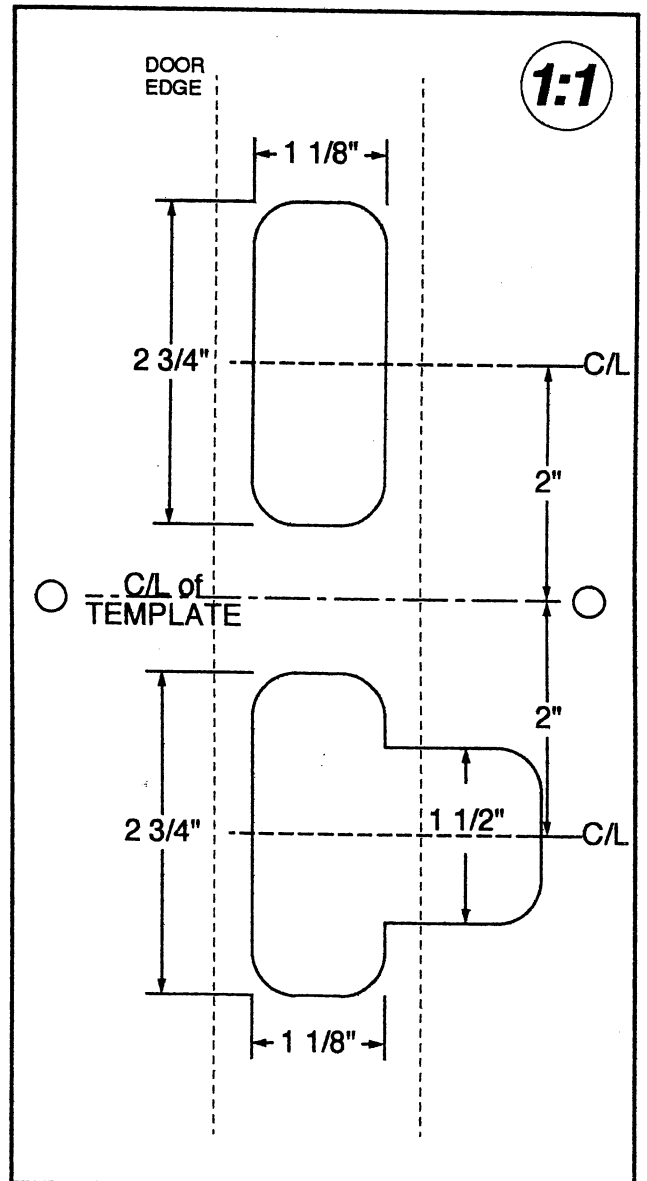
N-S 363

ROUTER: 1:1
GUIDE BUSHING: 13/16"
BIT: 1/2"



N-S 374

ROUTER: 1:1
GUIDE BUSHING: 3/4"
BIT: 3/4"

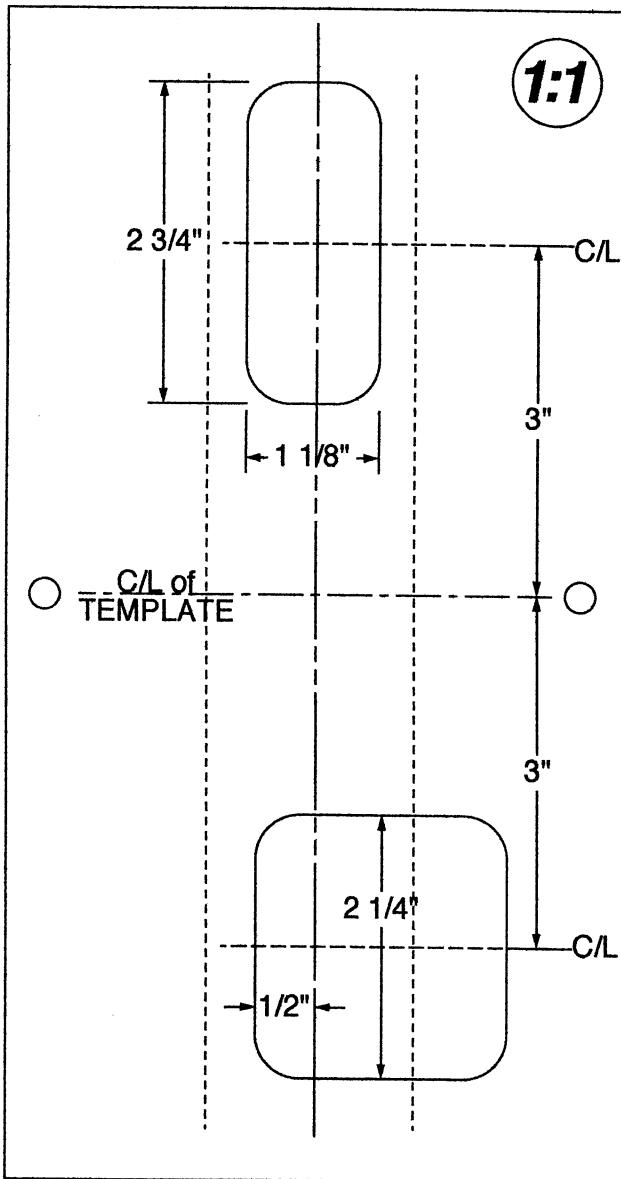


10-4-94

STRIKES

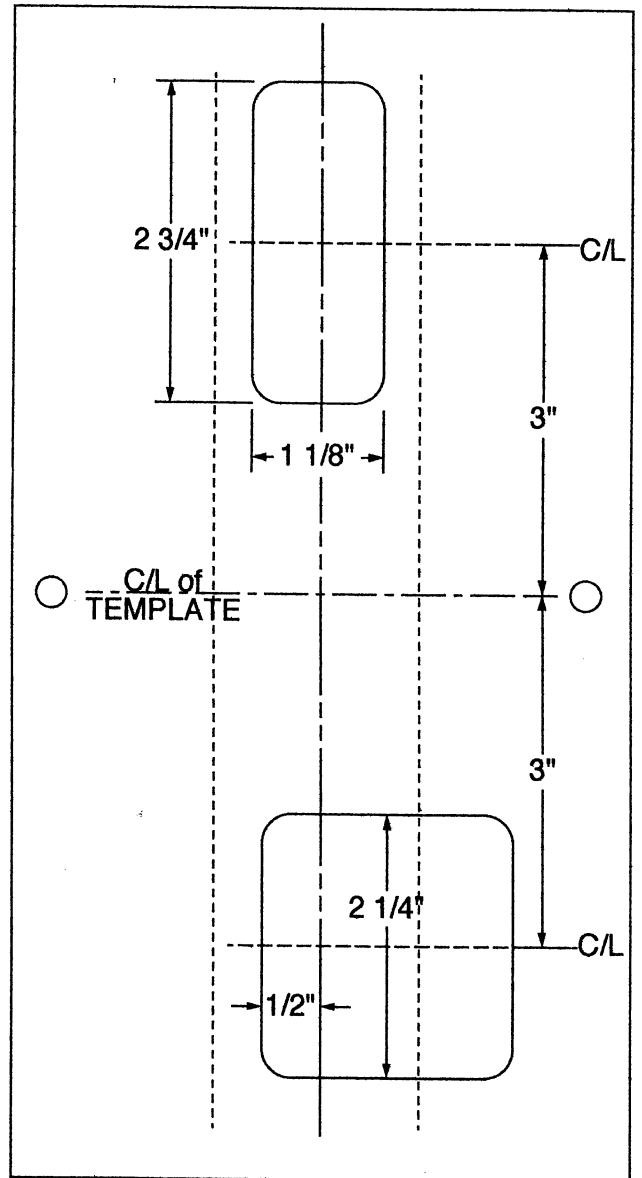
N-S 375

ROUTER: 1:1
GUIDE BUSHING: 3/4"
BIT: 3/4"



N-S 376

ROUTER: PLUNGE
GUIDE BUSHING: 13/16"
BIT: 1/2"



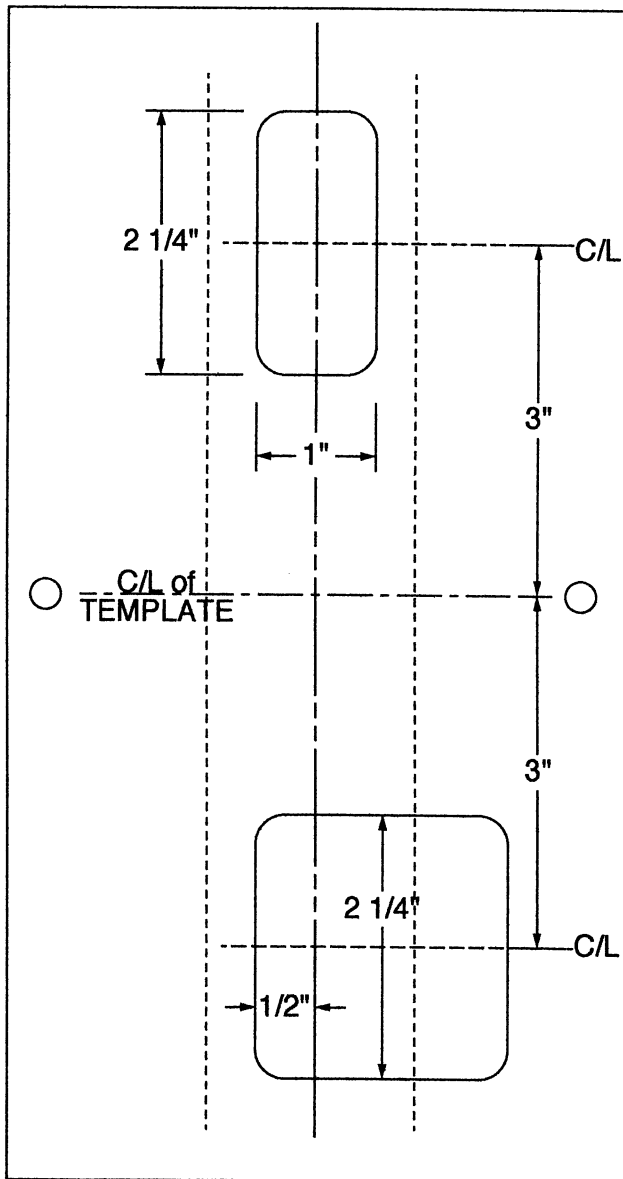
For hardware with 1/4" radius corners.
Use with plunge router.

4-27-01

STRIKES

N-S 377

ROUTER: *Plunge*
GUIDE BUSHING: 13/16"
BIT: 1/2"



For hardware with 1/4" radius corners.
Use with plunge router.

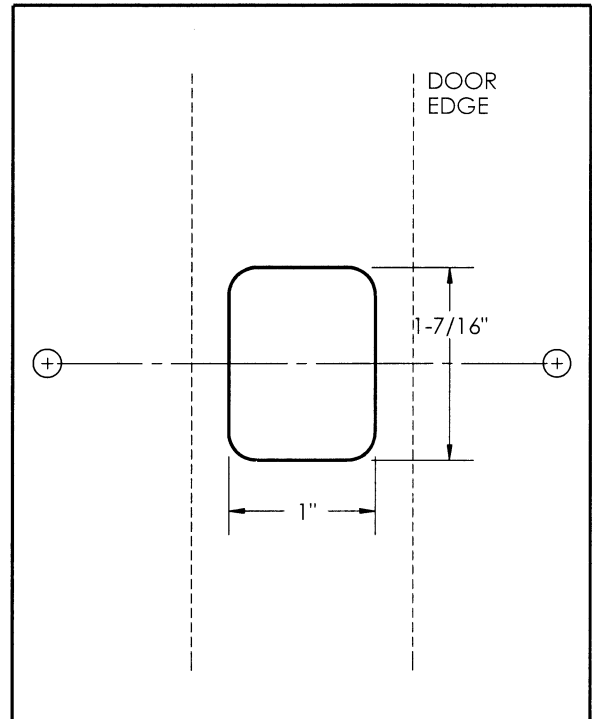
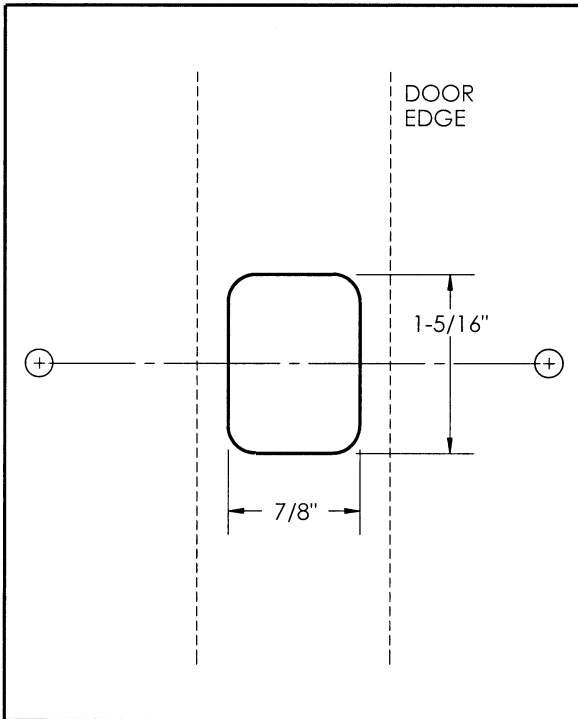
5-16-01

N-S 380

N-S 381

ROUTER: PLUNGE
GUIDE BUSHING: 13/16"
BIT: 1/2"

ROUTER: PLUNGE
GUIDE BUSHING: 13/16"
BIT: 1/2"



Do not scale drawings.

Actual cutting dimensions are shown. Template dimensions are adjusted for router Guide-Bit difference.

Compare these drawings to manufacturer's template drawings to confirm:

1. which portions of these templates apply;
2. relation of shown centerlines to those in manufacturer's template drawings or hardware;
3. correctness of dimensions.

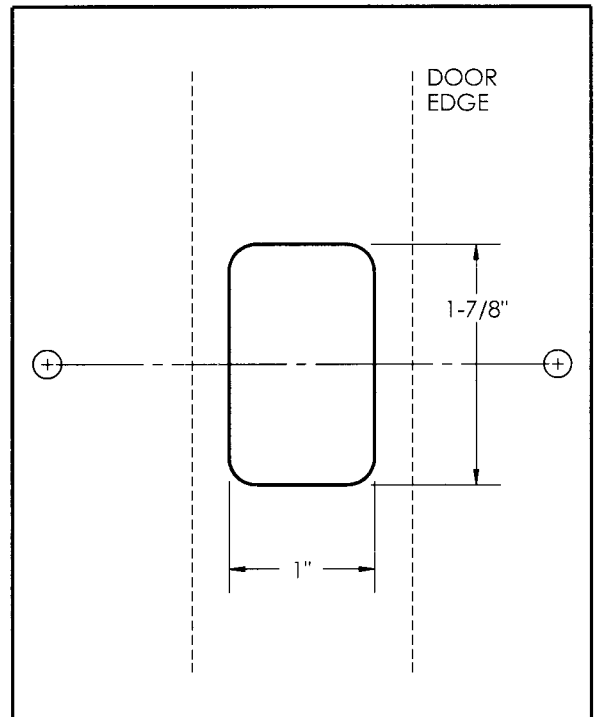
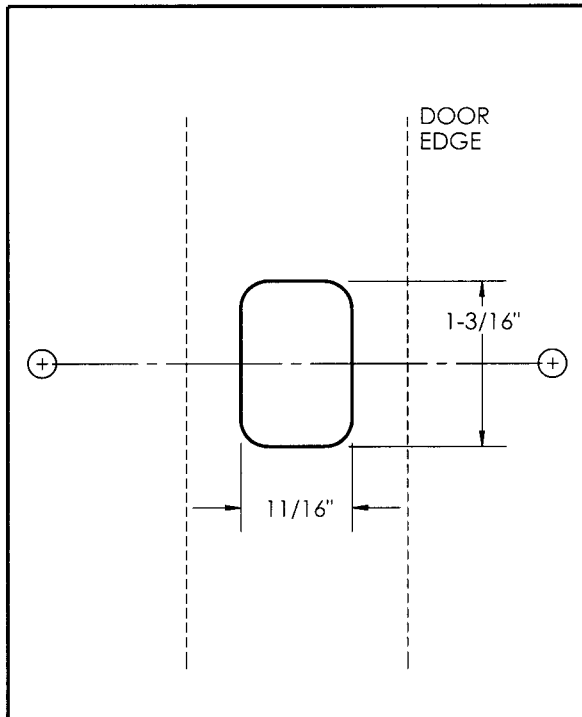
1/17/04

N-S 382

N-S 383

ROUTER: PLUNGE
GUIDE BUSHING: 13/16"
BIT: 1/2"

ROUTER: PLUNGE
GUIDE BUSHING: 13/16"
BIT: 1/2"



Do not scale drawings.

Actual cutting dimensions are shown. Template dimensions are adjusted for router Guide-Bit difference. Compare these drawings to manufacturer's template drawings to confirm:

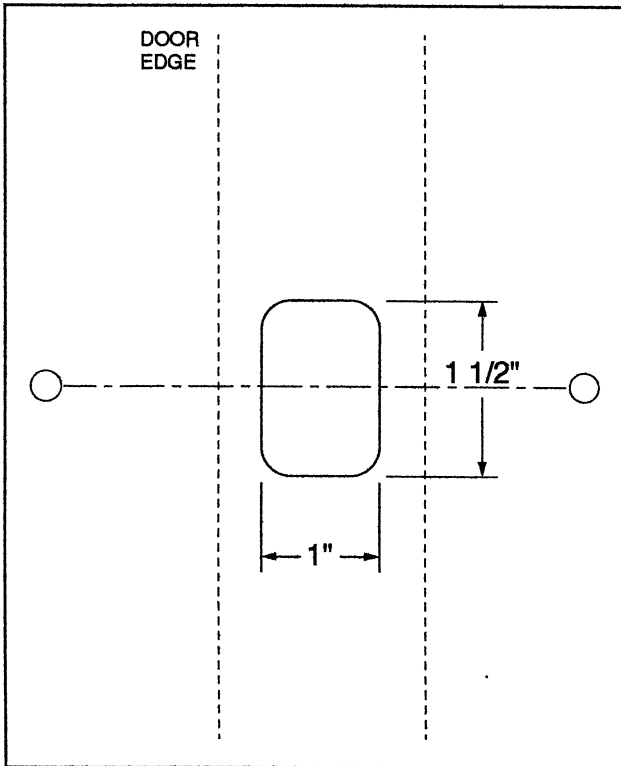
1. which portions of these templates apply;
2. relation of shown centerlines to those in manufacturer's template drawings or hardware;
3. correctness of dimensions.

1/17/04

STRIKES

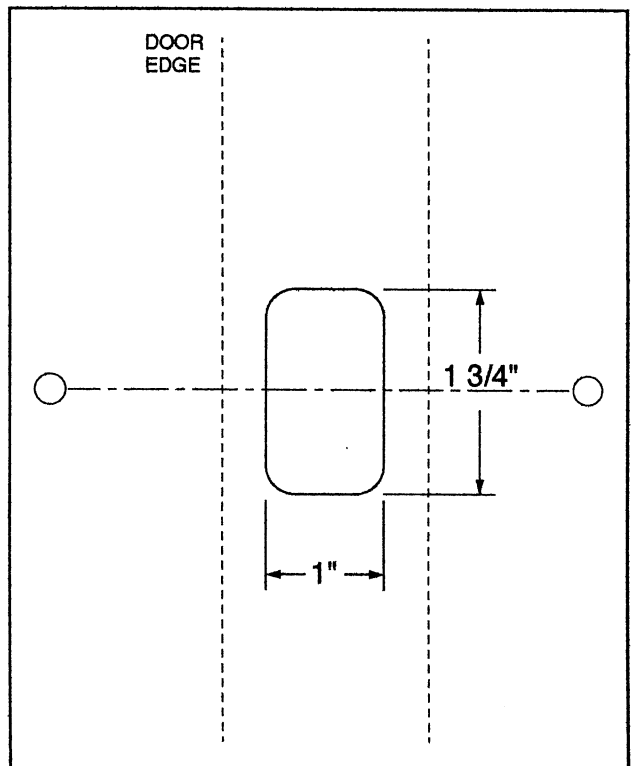
S 384

ROUTER: PLUNGE
GUIDE BUSHING: 13/16"
BIT: 1/2"



S 385

ROUTER: PLUNGE
GUIDE BUSHING: 13/16"
BIT: 1/2"

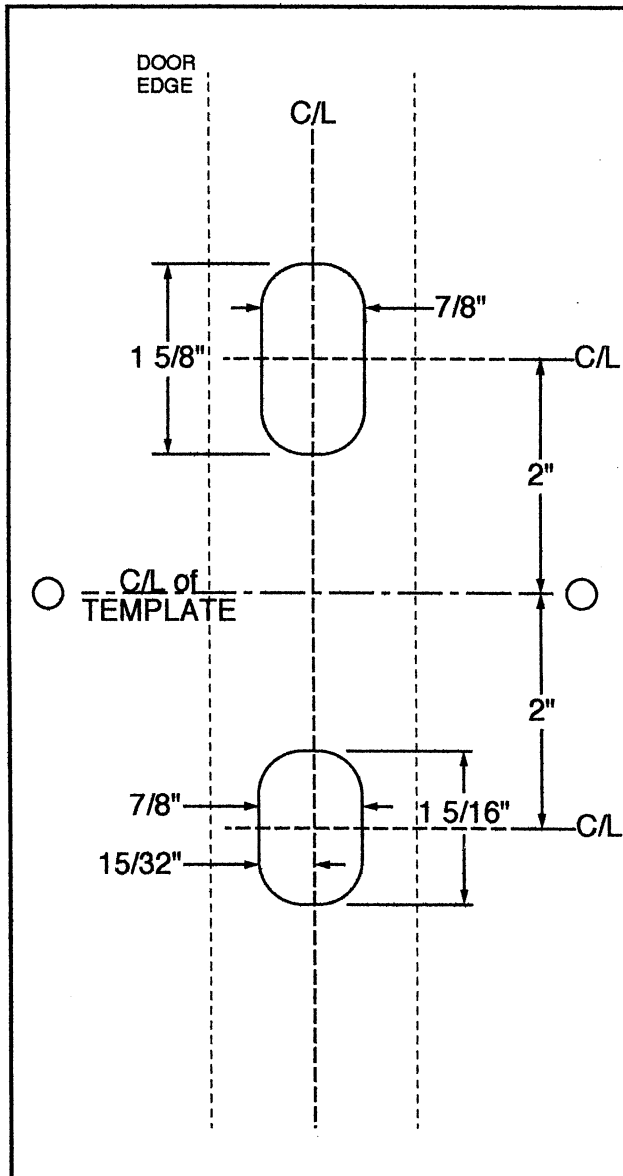


7-9-98

STRIKES

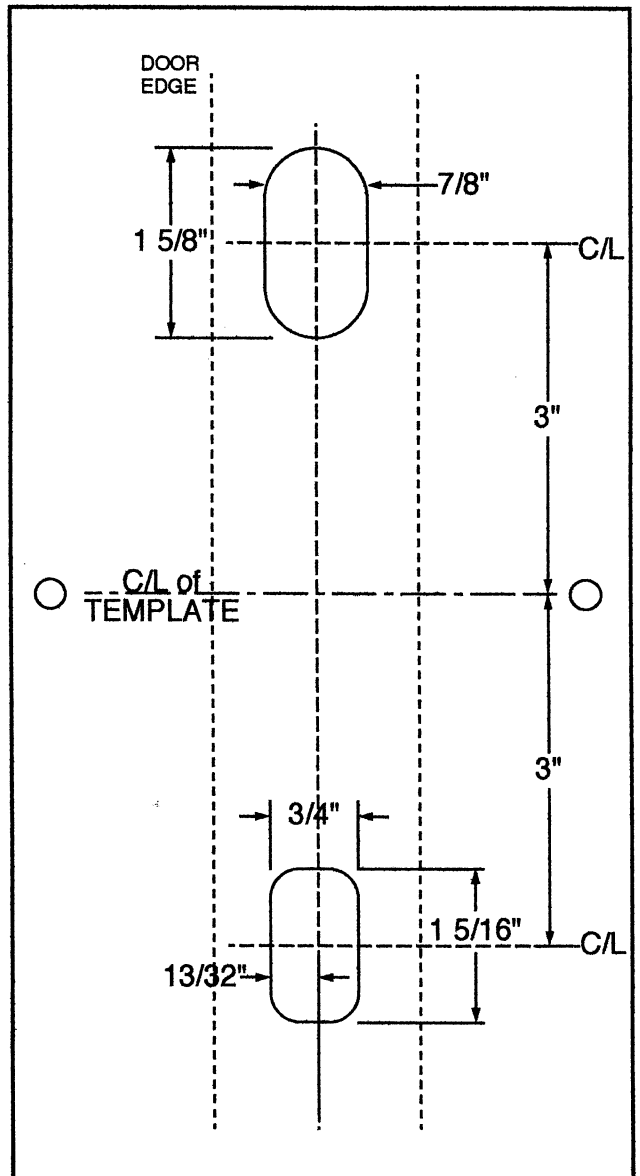
N-S 386

ROUTER: PLUNGE
GUIDE BUSHING: 13/16"
BIT: 1/2"



N-S 388

ROUTER: PLUNGE
GUIDE BUSHING: 13/16"
BIT: 1/2"



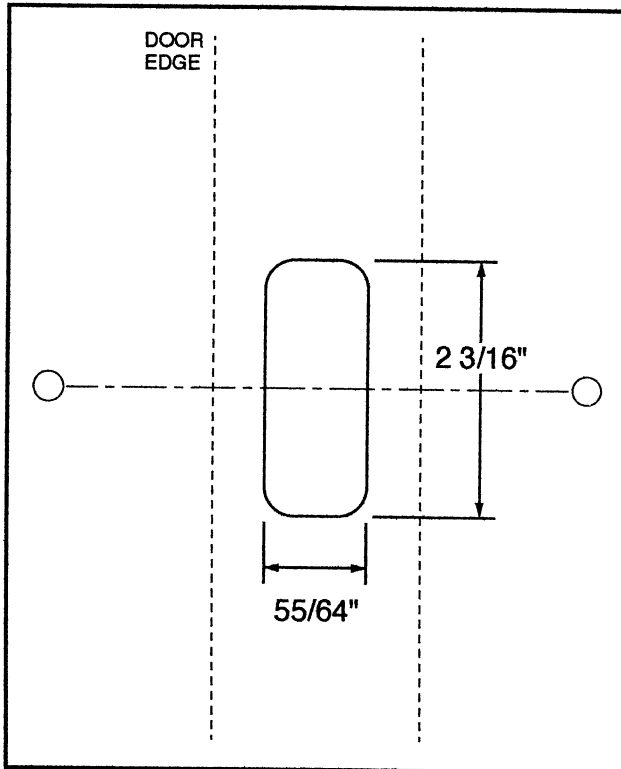
10-12-98

STRIKES

1 1/16" deep

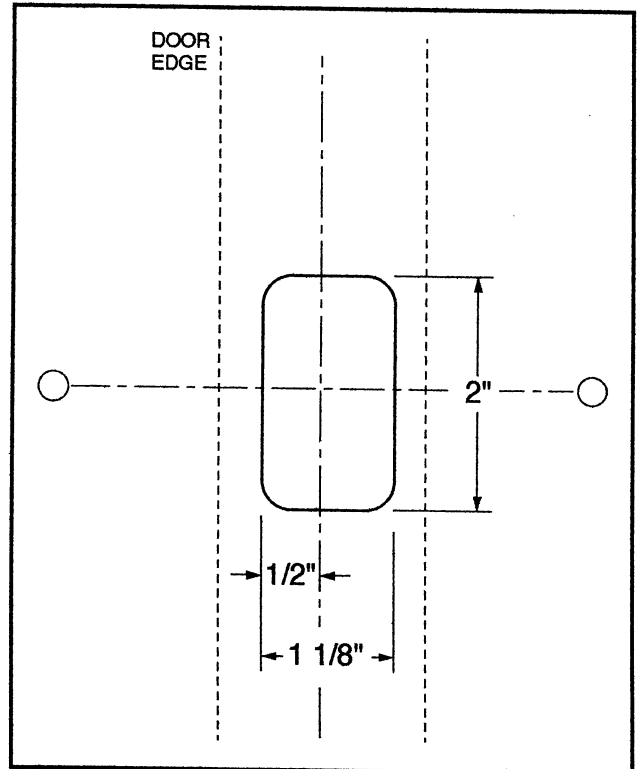
N-S 389

ROUTER: PLUNGE
GUIDE BUSHING: 13/16"
BIT: 1/2"



N-S 390

ROUTER: PLUNGE
GUIDE BUSHING: 13/16"
BIT: 1/2"

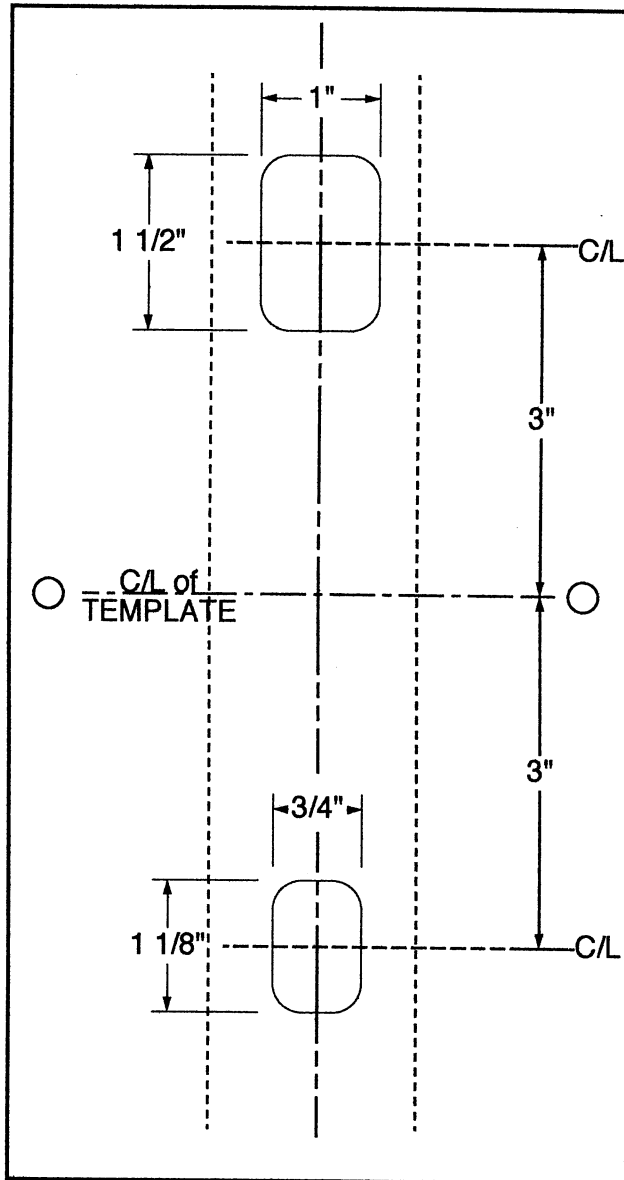


9-22-98

STRIKES

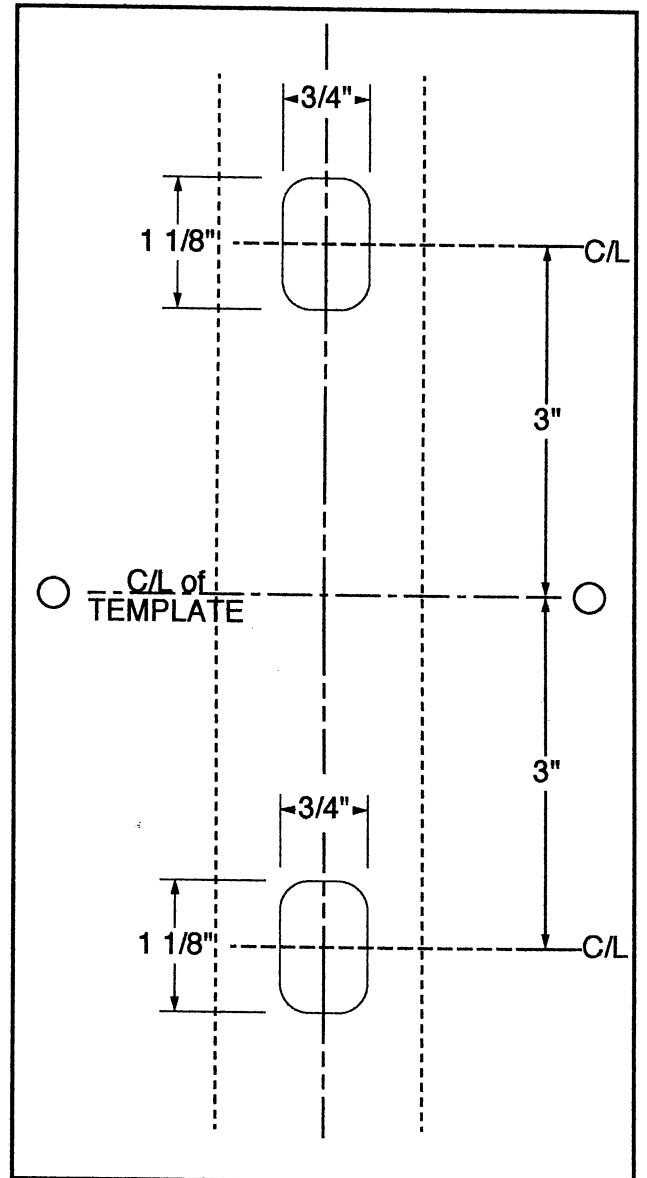
N-S 391

ROUTER: *Plunge*
GUIDE BUSHING: 13/16"
BIT: 1/2"



N-S 392

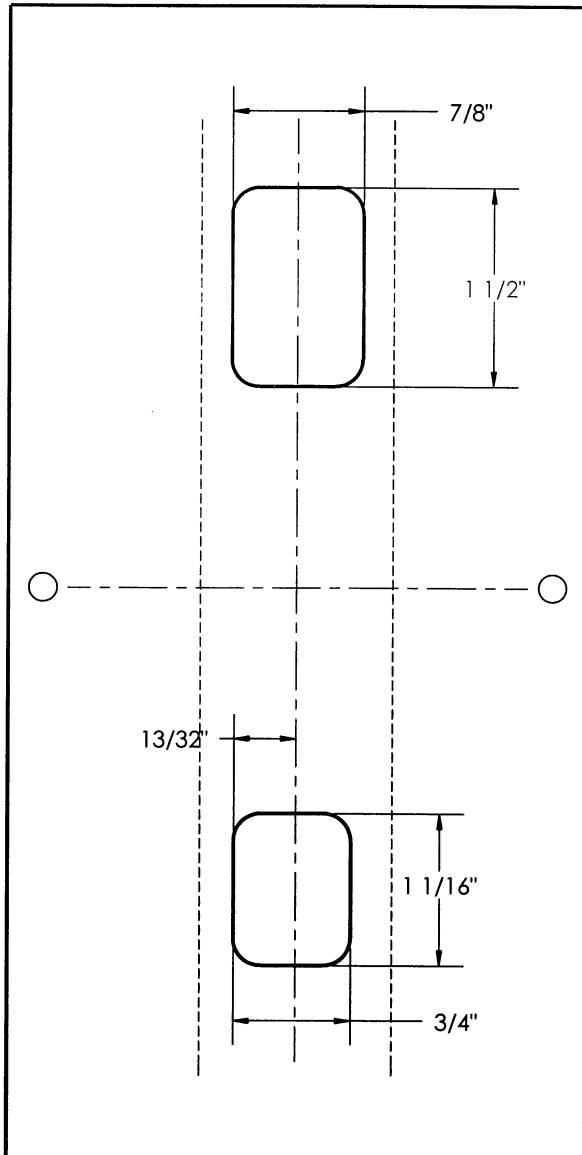
ROUTER: *Plunge*
GUIDE BUSHING: 13/16"
BIT: 1/2"



5-16-01

N-S 393

ROUTER: PLUNGE
GUIDE BUSHING: 13/16"
BIT: 1/2"



Do not scale drawings.
Actual cutting dimensions are shown. Template dimensions are adjusted for router Guide-Bit difference.
Compare these drawings to manufacturer's template drawings to confirm:

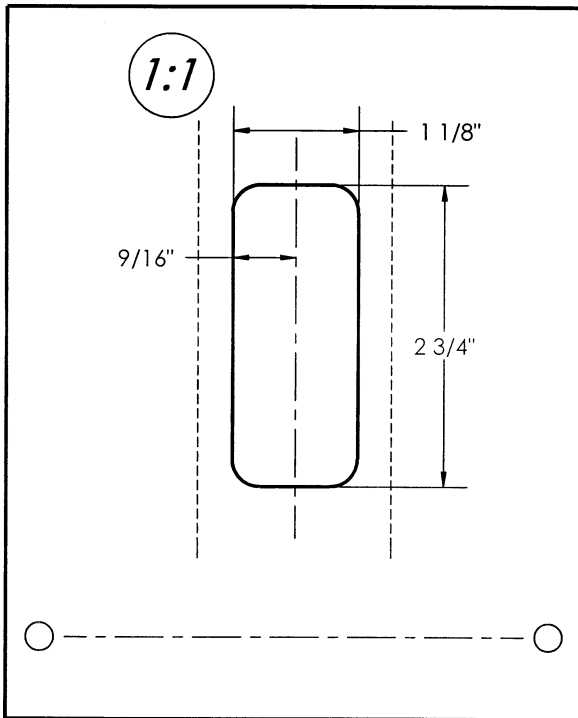
1. which portions of these templates apply;
2. relation of shown centerlines to those in manufacturer's template drawings or hardware;
3. correctness of dimensions.

6/13/03

1/8" deep

N-S 394

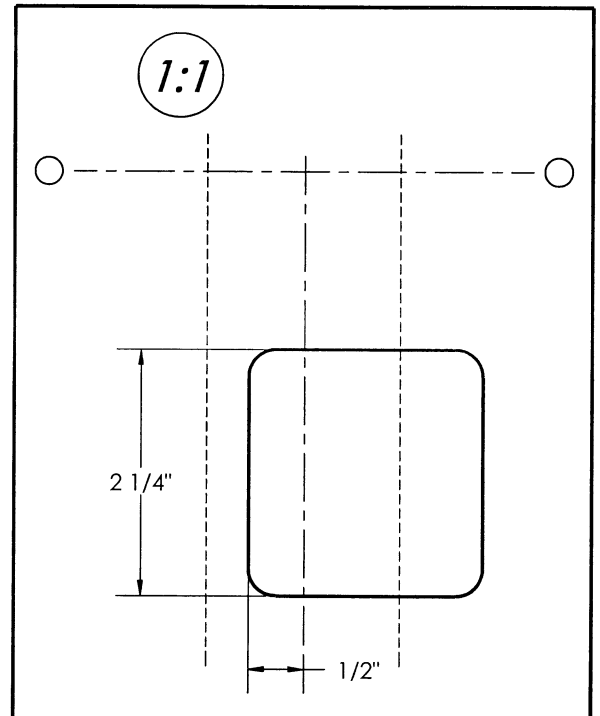
ROUTER: 1:1
GUIDE BUSHING: 3/4"
BIT: 3/4"



1/16" deep

N-S 395

ROUTER: 1:1
GUIDE BUSHING: 3/4"
BIT: 3/4"



Do not scale drawings.
Actual cutting dimensions are shown. Template dimensions are adjusted for router Guide-Bit difference.
Compare these drawings to manufacturer's template drawings to confirm:

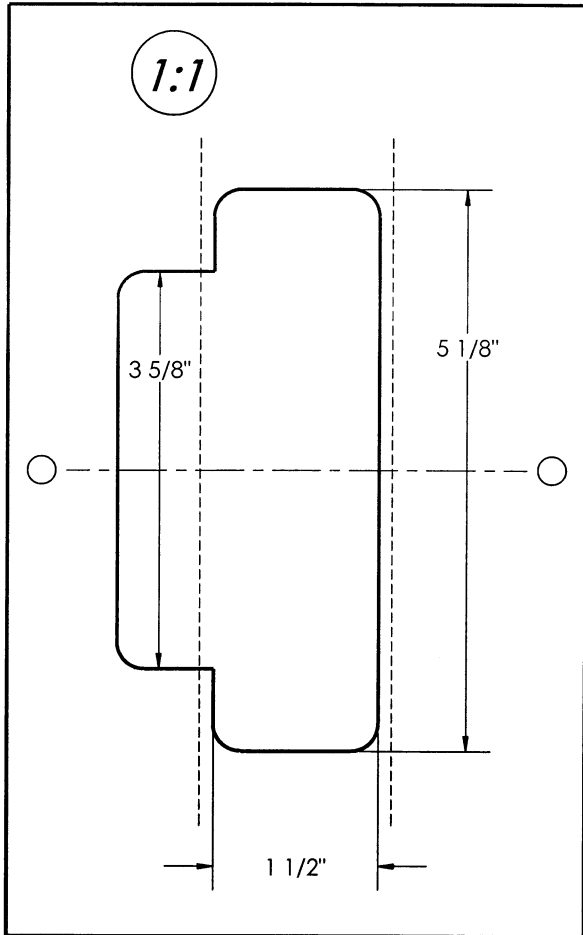
1. which portions of these templates apply;
2. relation of shown centerlines to those in manufacturer's template drawings or hardware;
3. correctness of dimensions.

6/16/03

5/32" deep

N-S 401

ROUTER: 1:1
GUIDE BUSHING: 3/4"
BIT: 3/4"



Do not scale drawings.
Actual cutting dimensions are shown. Template dimensions are adjusted for router Guide-Bit difference.
Compare these drawings to manufacturer's template drawings to confirm:

1. which portions of these templates apply;
2. relation of shown centerlines to those in manufacturer's template drawings or hardware;
3. correctness of dimensions.

6/11/03

STRIKES

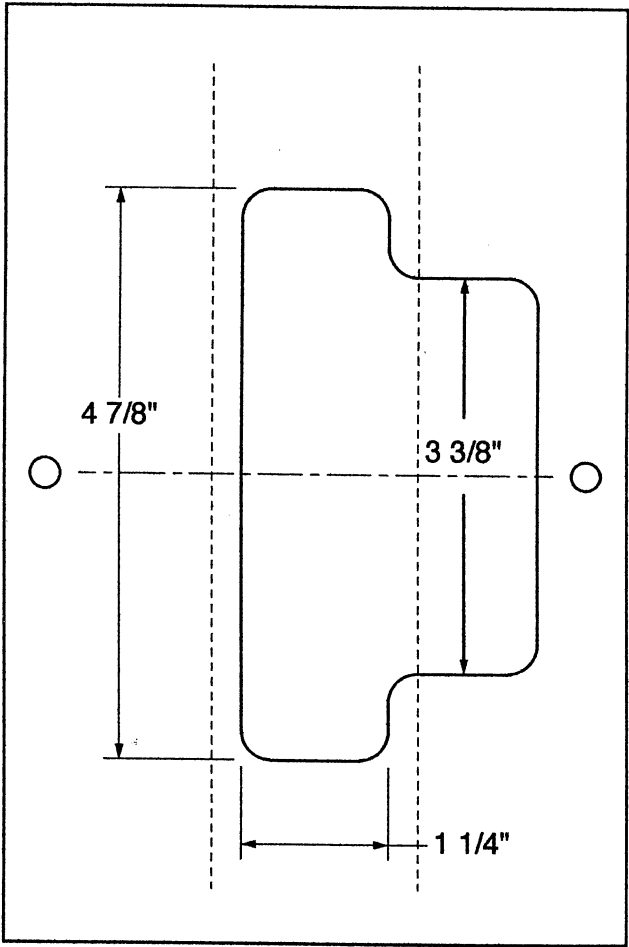
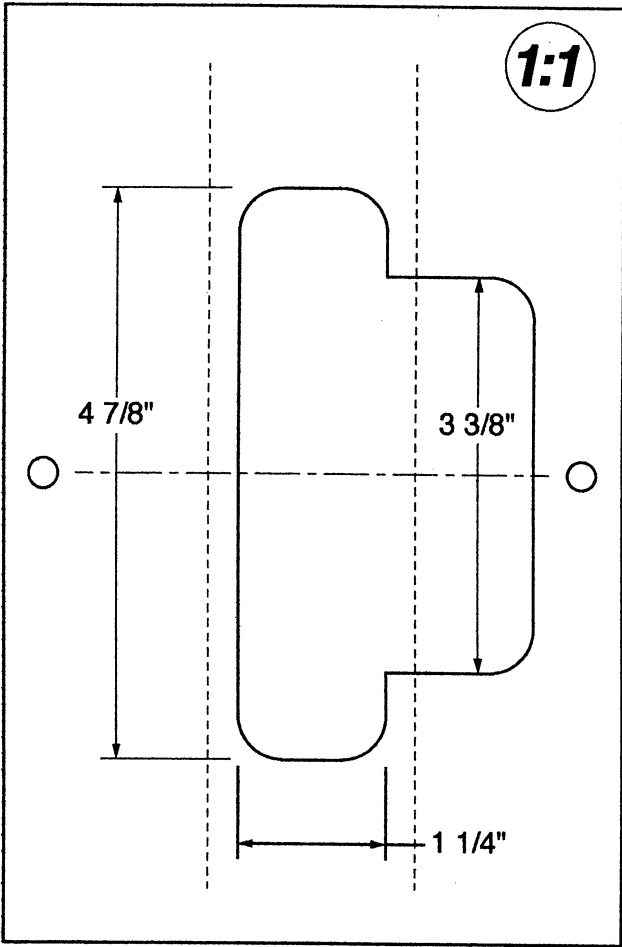
3/32" deep
1/8" deep
5/32" deep
3/16" deep

N-S 403
N-S 404
N-S 405
N-S 406

N-S 410

ROUTER: 1:1
GUIDE BUSHING: 3/4"
BIT: 3/4"

ROUTER: PLUNGE
GUIDE BUSHING: 13/16"
BIT: 1/2"

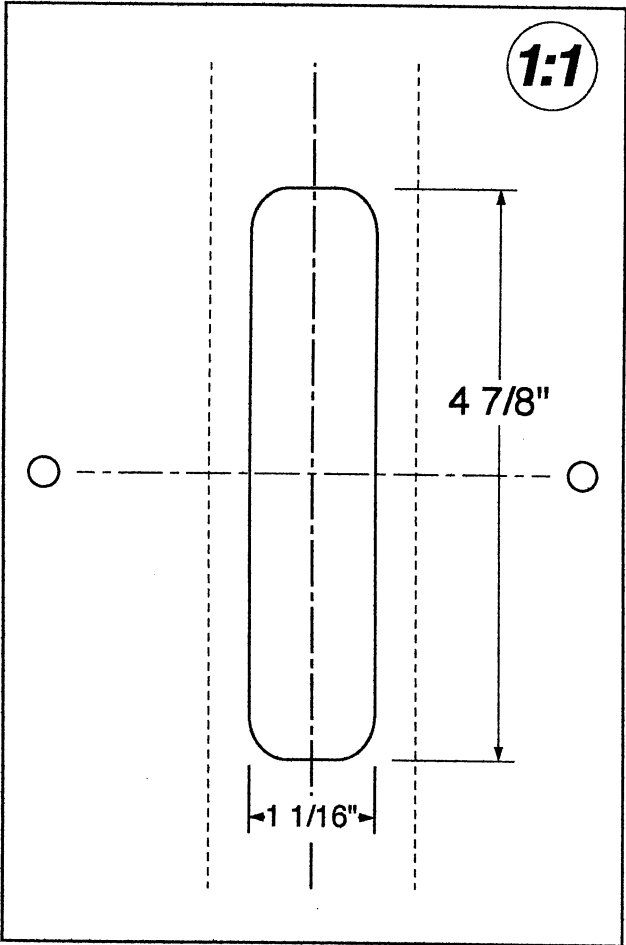


STRIKES

3/32" deep

N-S 413

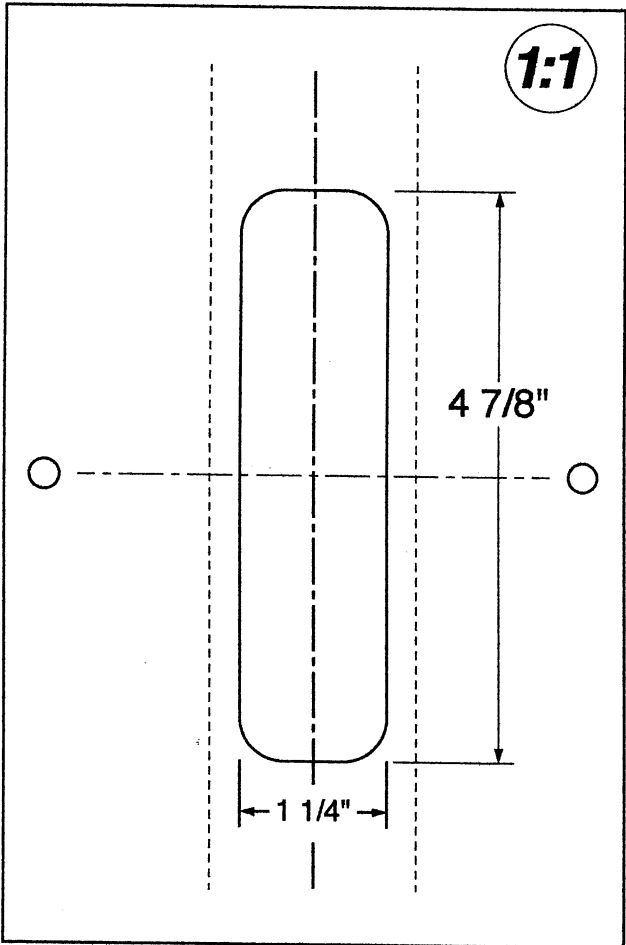
ROUTER: 1:1
GUIDE BUSHING: 3/4"
BIT: 3/4"



3/32" deep
1/8" deep
5/32" deep

N-S 453
N-S 454
N-S 455

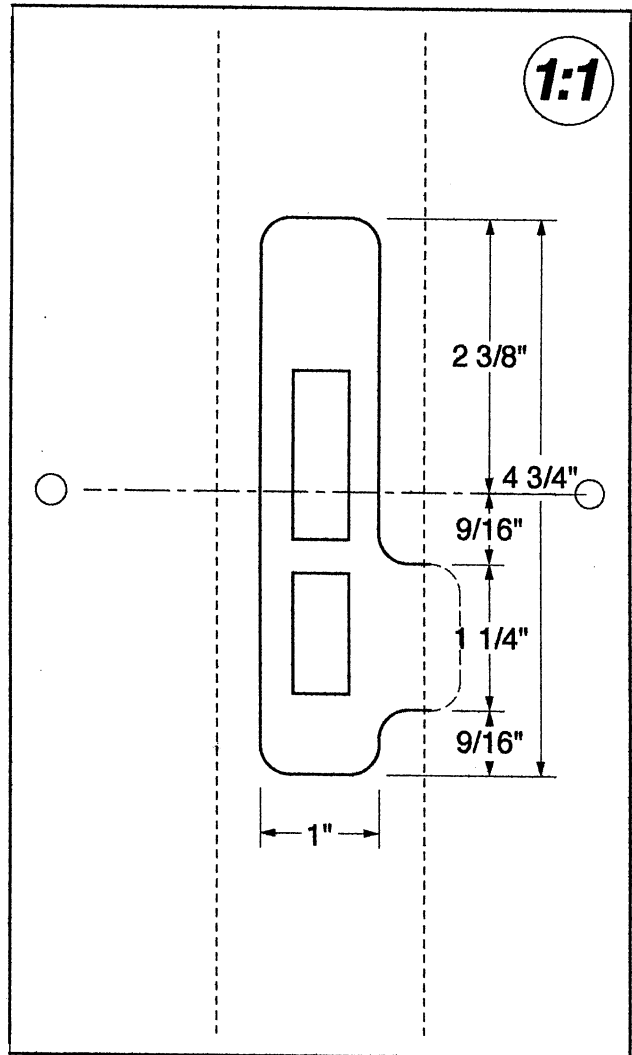
ROUTER: 1:1
GUIDE BUSHING: 3/4"
BIT: 3/4"



STRIKES

ROUTER: PLUNGE
GUIDE BUSHING: 13/16"
BIT: 1/2"

N-S 462

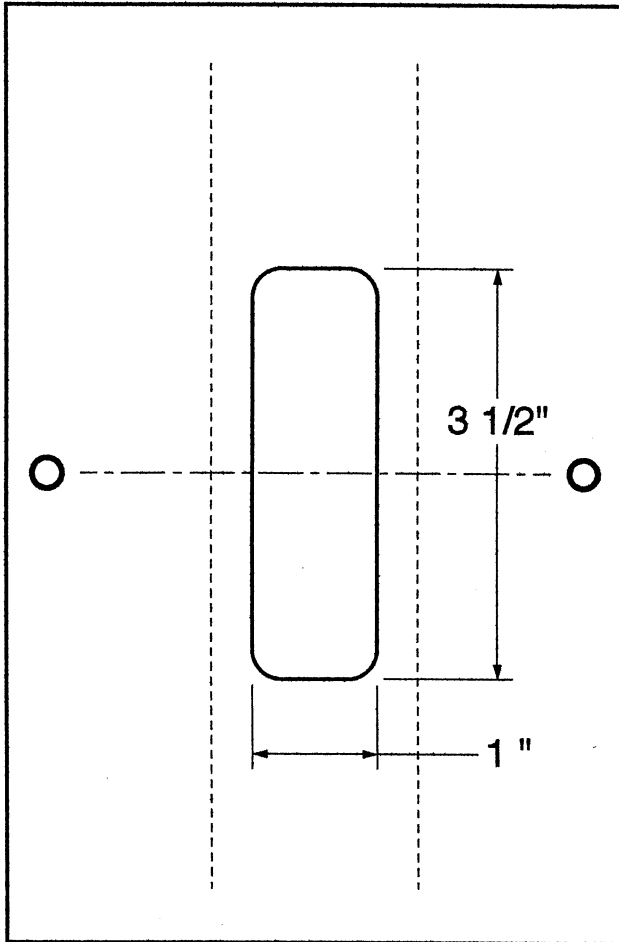


STRIKES

1-1/16 deep

N-S 480

ROUTER: PLUNGE
GUIDE BUSHING: 13/16"
BIT: 1/2"

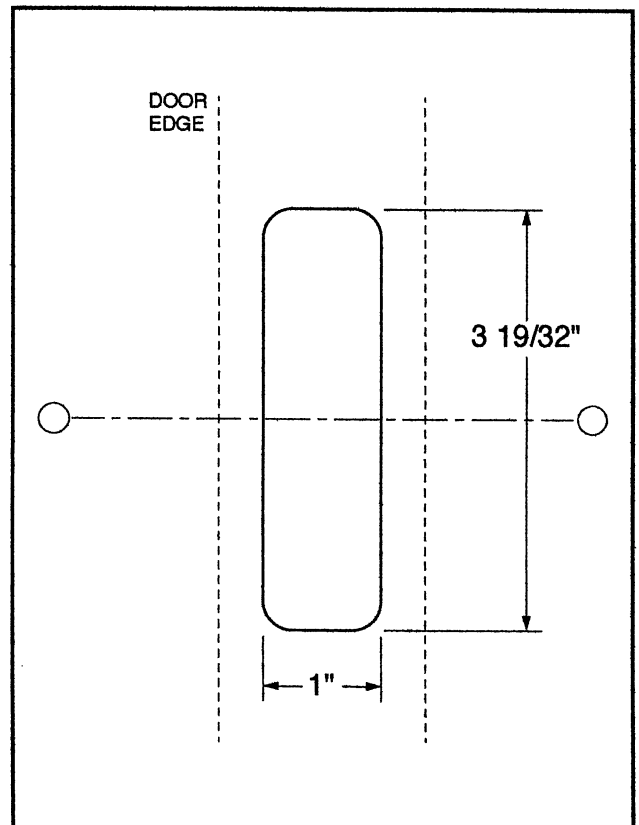


Routed square into a beveled edge

1-1/8" deep

N-S 481

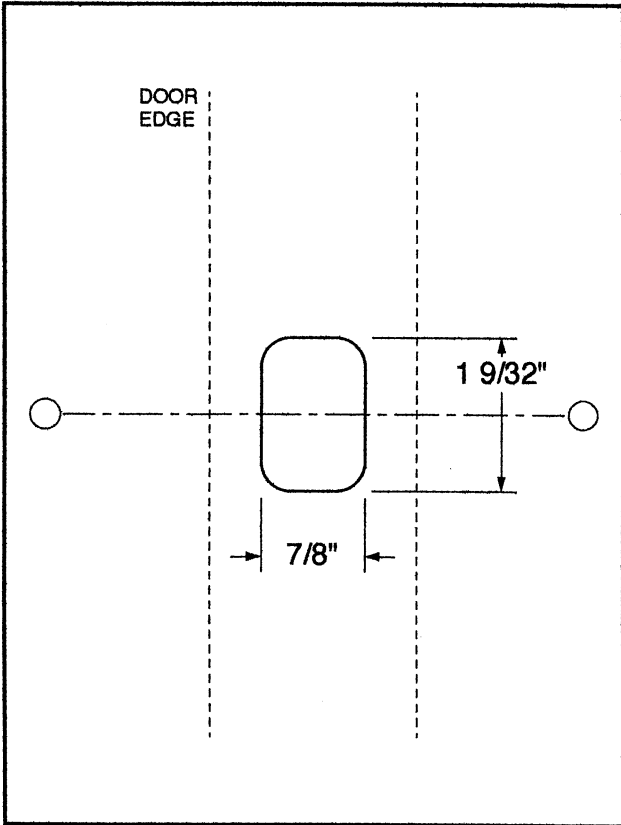
ROUTER: PLUNGE
GUIDE BUSHING: 13/16"
BIT: 1/2"



STRIKES

N-S 482

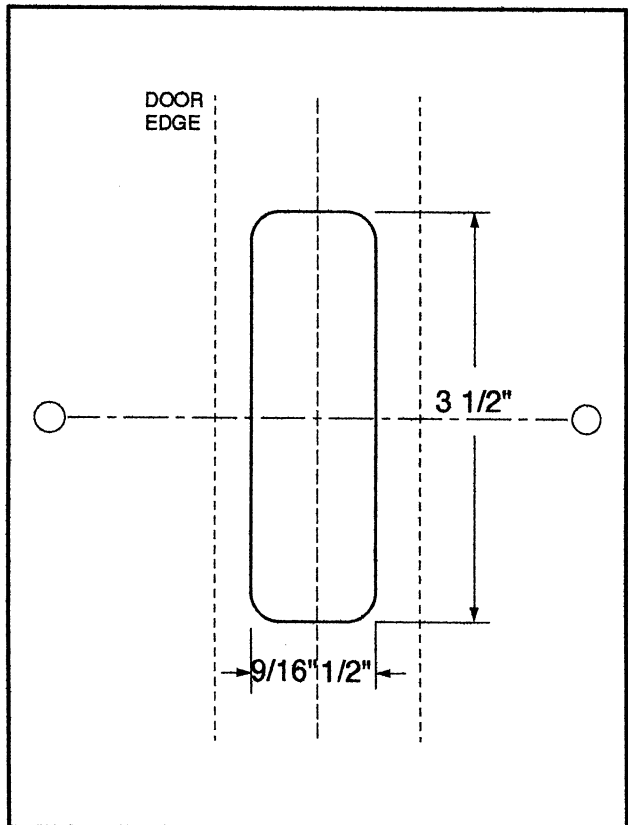
ROUTER: PLUNGE
GUIDE BUSHING: 13/16"
BIT: 1/2"



1" deep

N-S 483

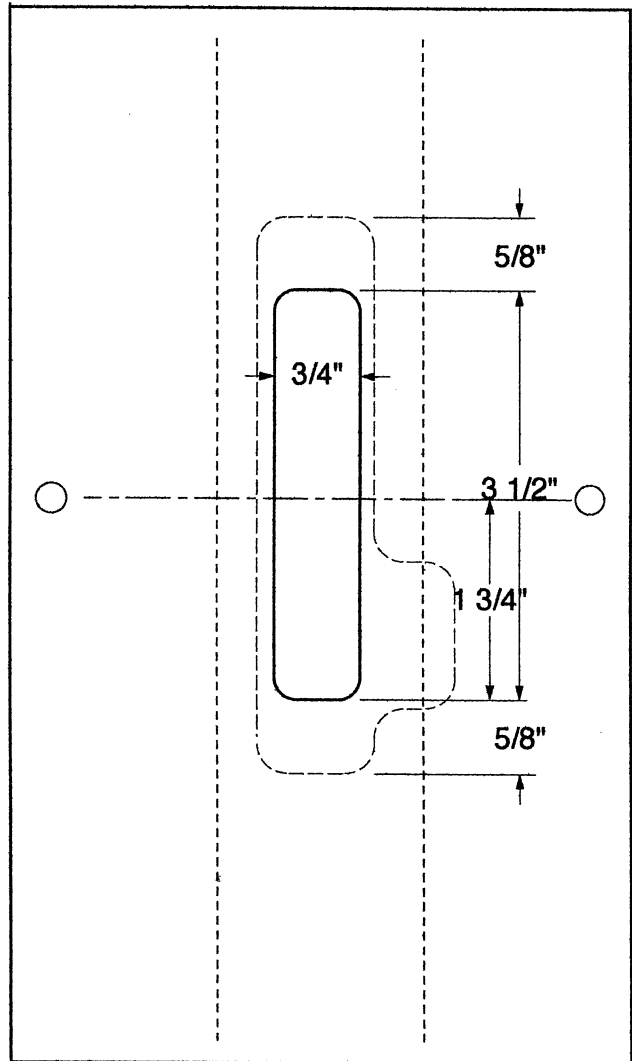
ROUTER: PLUNGE
GUIDE BUSHING: 13/16"
BIT: 1/2"



STRIKES

ROUTER: PLUNGE
GUIDE BUSHING: 13/16"
BIT: 1/2"

N-S 486

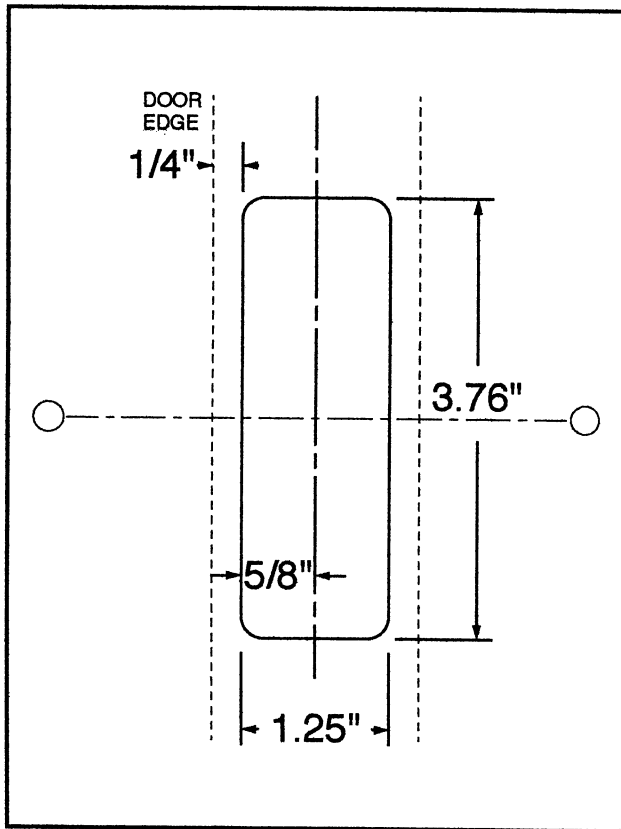


9-1-93

STRIKES

N-S 487A

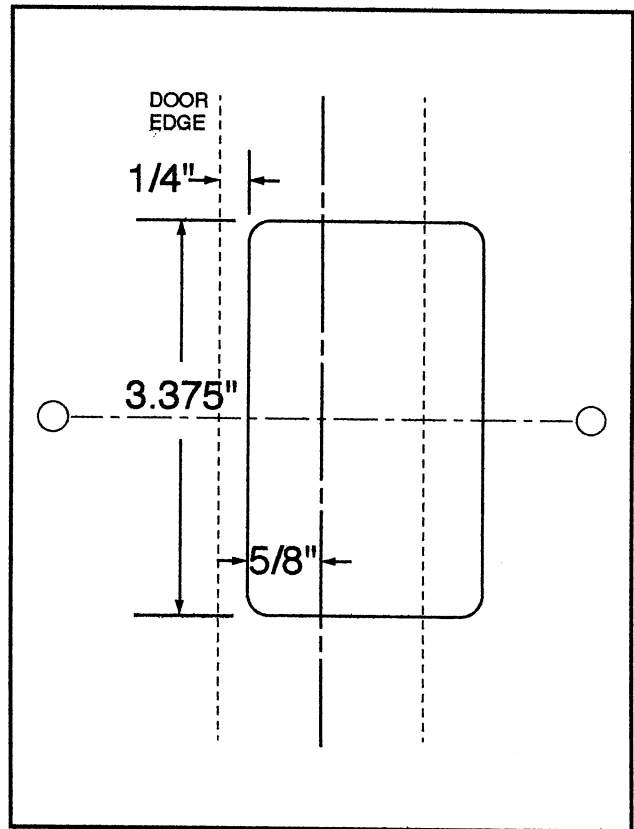
ROUTER: PLUNGE
GUIDE BUSHING: 13/16"
BIT: 1/2"



9907-398 (Pocket)

N-S 487B

ROUTER: PLUNGE
GUIDE BUSHING: 13/16"
BIT: 1/2"



9907-399 (Lip)

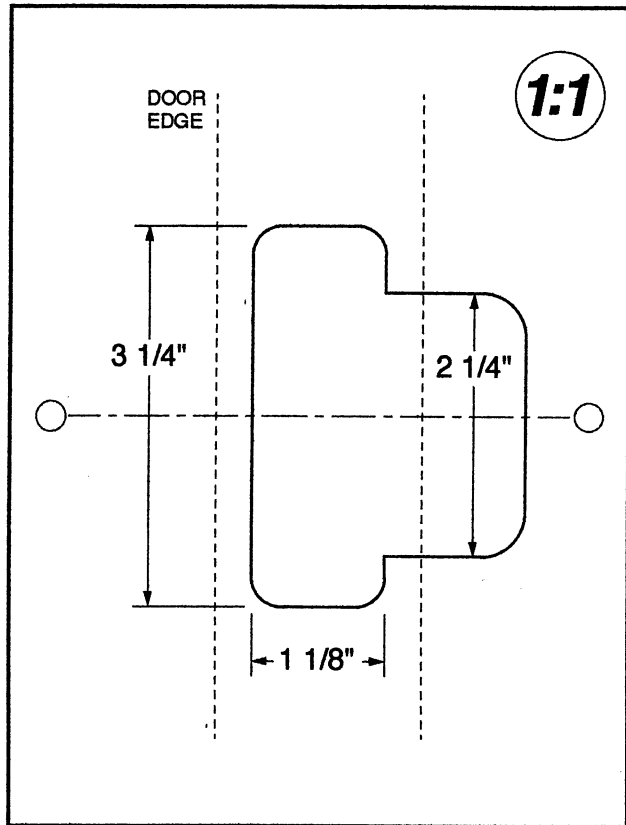
Two template set for doing the pocket mortise
for Folger Adams Electric Strike 507.

STRIKES

3/32" deep
1/8" deep

N-S 503
N-S 504

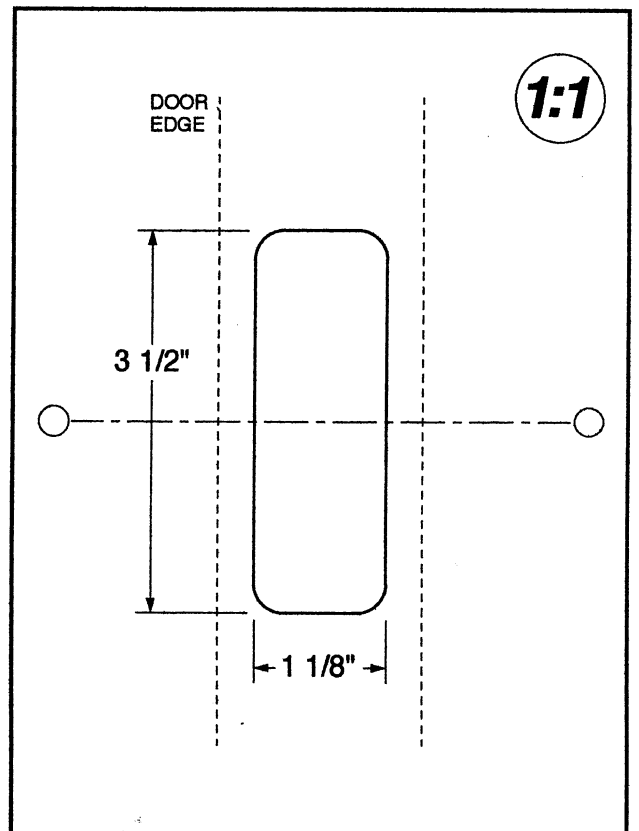
ROUTER: 1:1
GUIDE BUSHING: 3/4"
BIT: 3/4"



3/32" deep
1/8" deep
5/32" deep

N-S 553
N-S 554
N-S 555

ROUTER: 1:1
GUIDE BUSHING: 3/4"
BIT: 3/4"



4-9-02

STRIKES

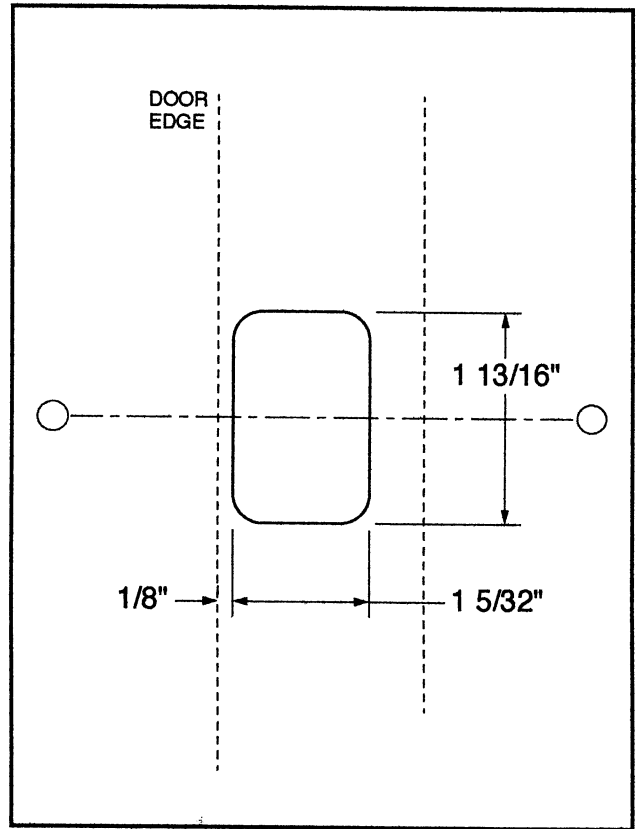
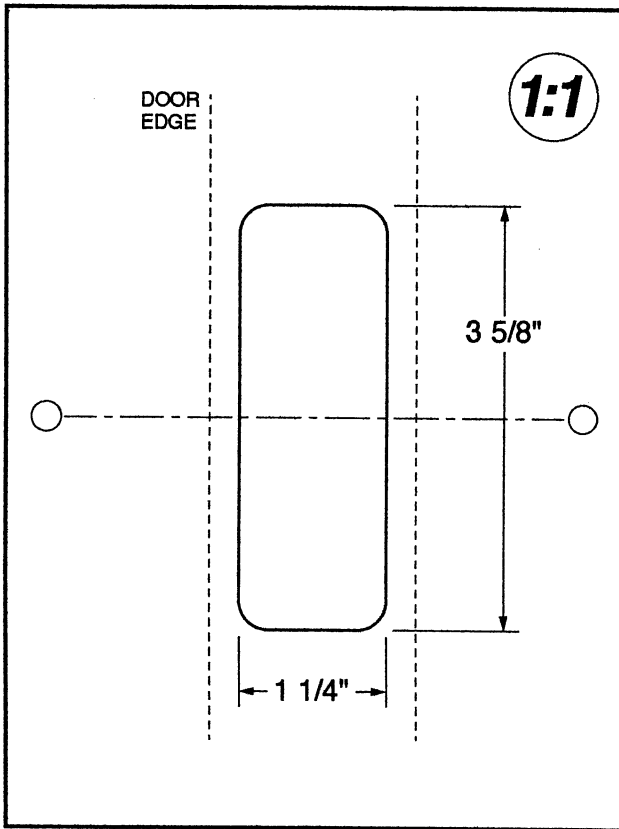
1/16" deep
3/32" deep
1/8" deep

N-S 562
N-S 563
N-S 564

ROUTER: 1:1
GUIDE BUSHING: 3/4"
BIT: 3/4"

N-S 580

ROUTER: PLUNGE
GUIDE BUSHING: 13/16"
BIT: 1/2"

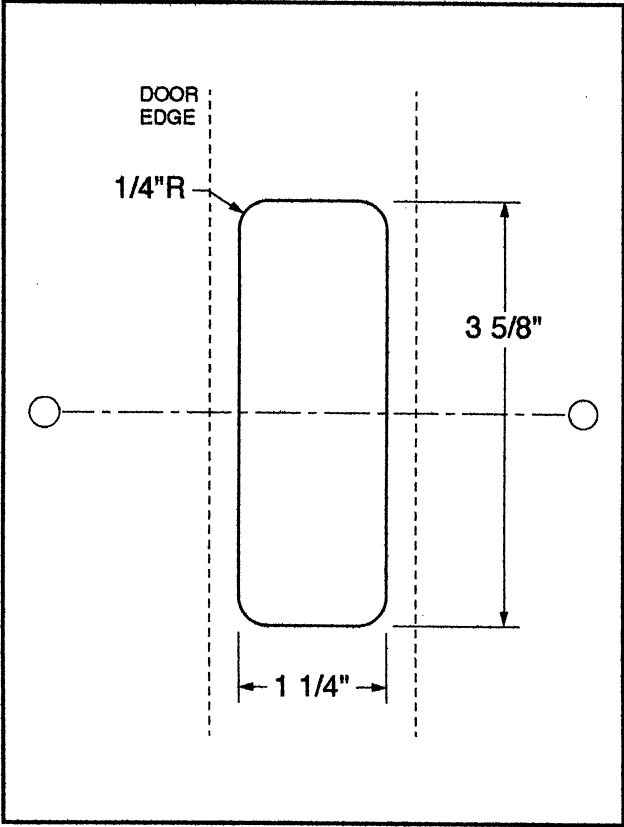


10-4-98

STRIKES

N-S 663

ROUTER: PLUNGE
GUIDE BUSHING: 13/16"
BIT: 1/2"

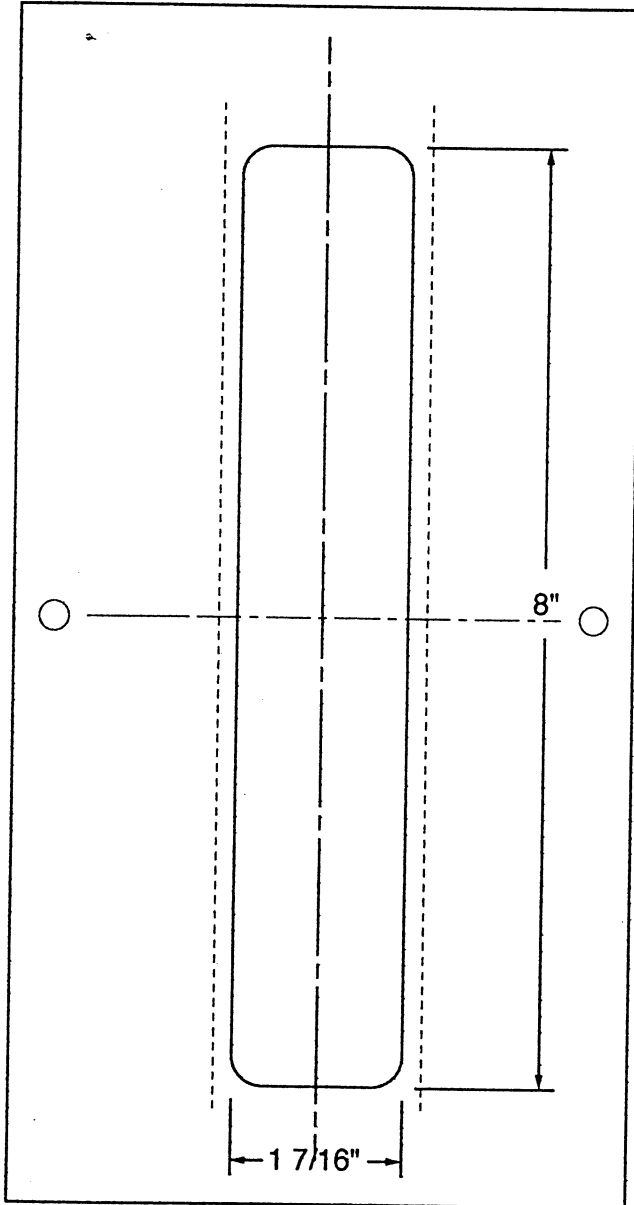


10-4-94

STRIKES

N-S 750

ROUTER: PLUNGE
GUIDE BUSHING: 13/16"
BIT: 1/2"



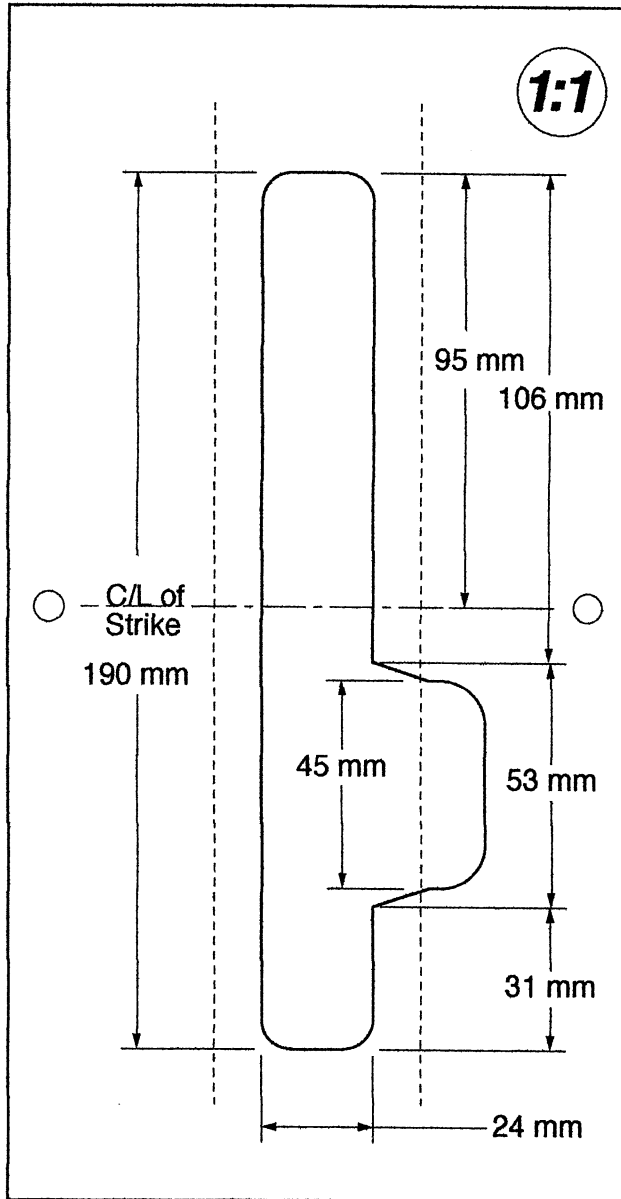
1-30-02

STRIKES

1/16" deep

N-S 820

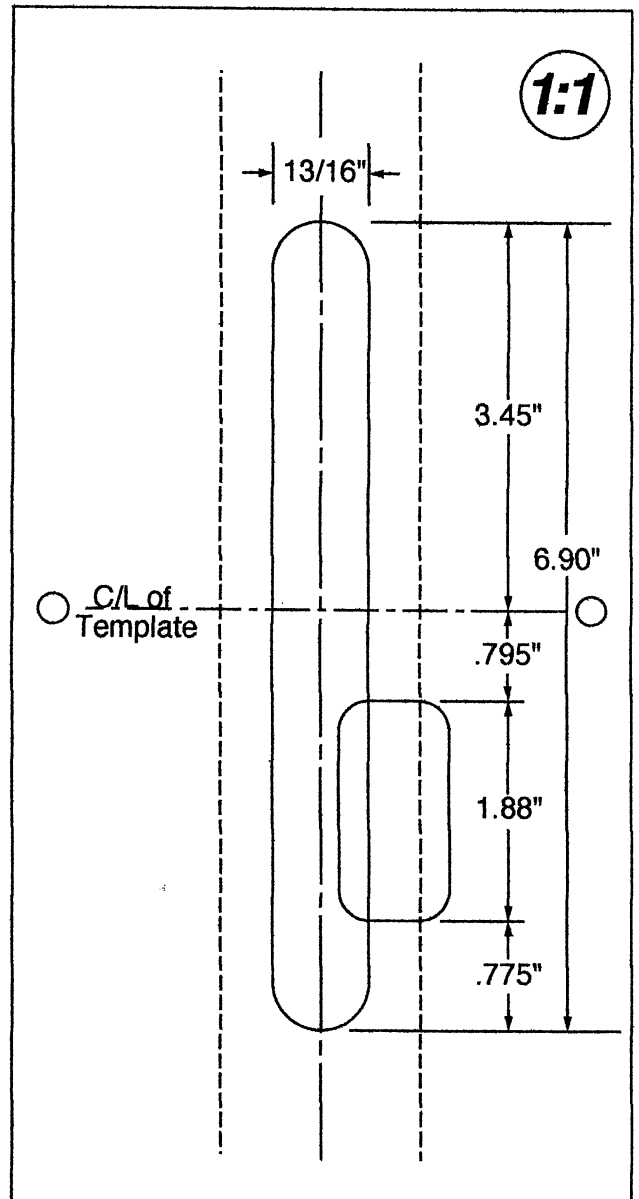
ROUTER: 1:1
GUIDE BUSHING: 3/4"
BIT: 3/4"



Use 1:1 Router. No Depth Control

N-S 830

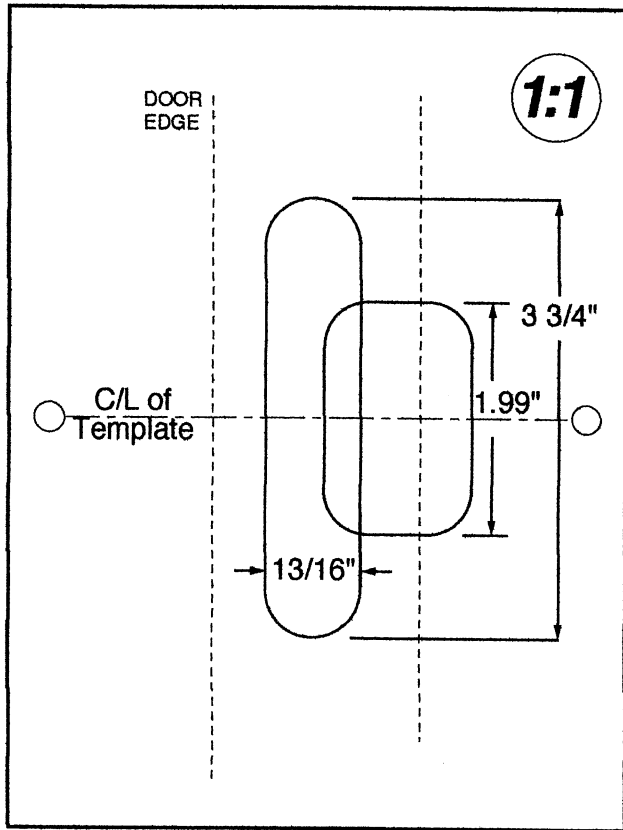
ROUTER: 1:1
GUIDE BUSHING: 3/4"
BIT: 3/4"



STRIKES

N-S 831

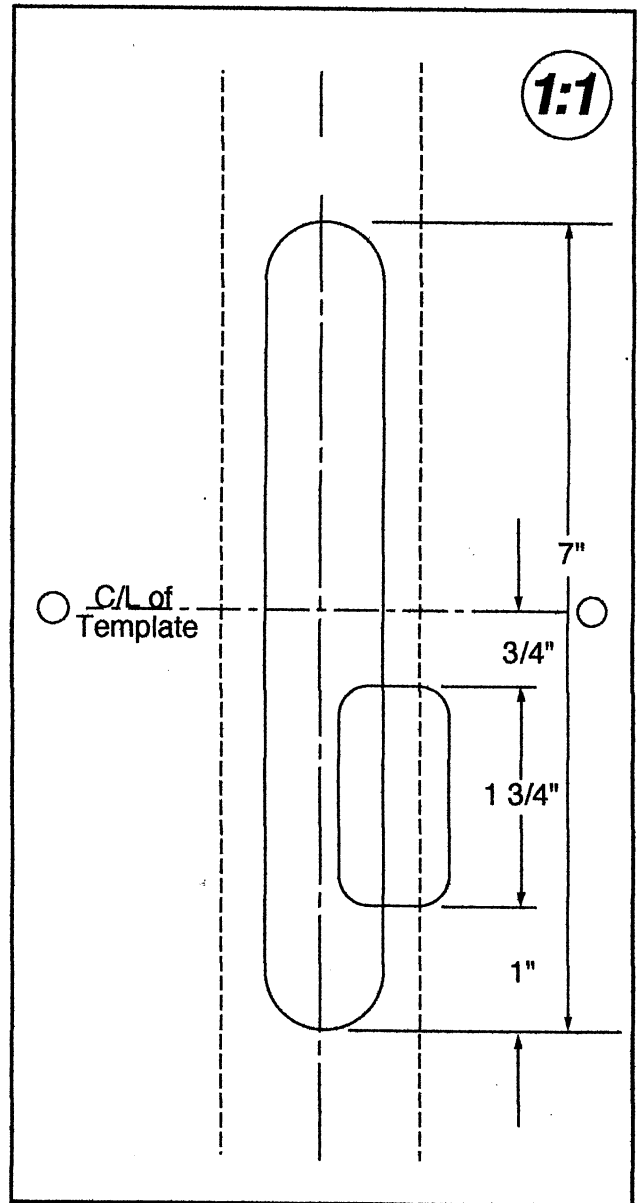
ROUTER: 1:1
GUIDE BUSHING: 3/4"
BIT: 3/4"



1/16" deep

N-S 832

ROUTER: 1:1
GUIDE BUSHING: 3/4"
BIT: 3/4"

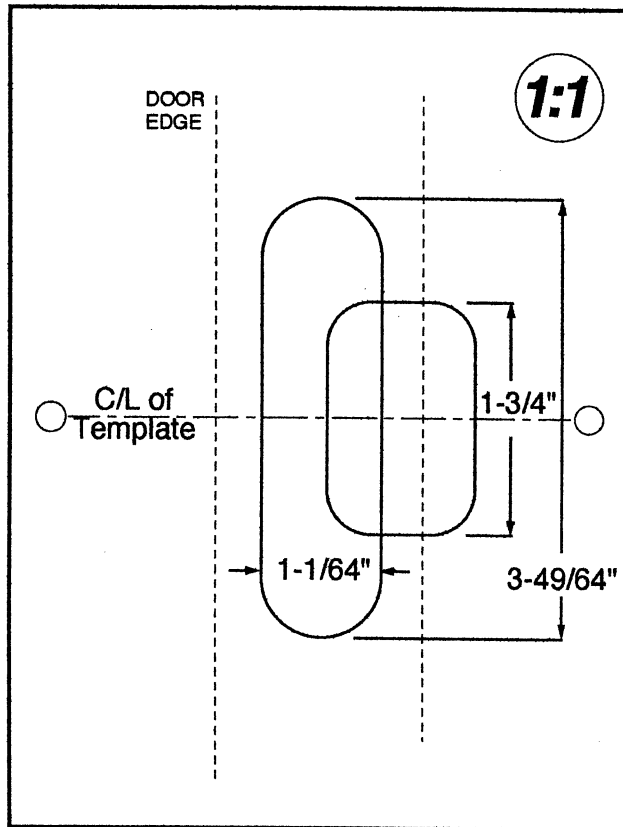


10-12-98

STRIKES

N-S 833

ROUTER: 1:1
GUIDE BUSHING: 3/4"
BIT: 3/4"



11-5-96

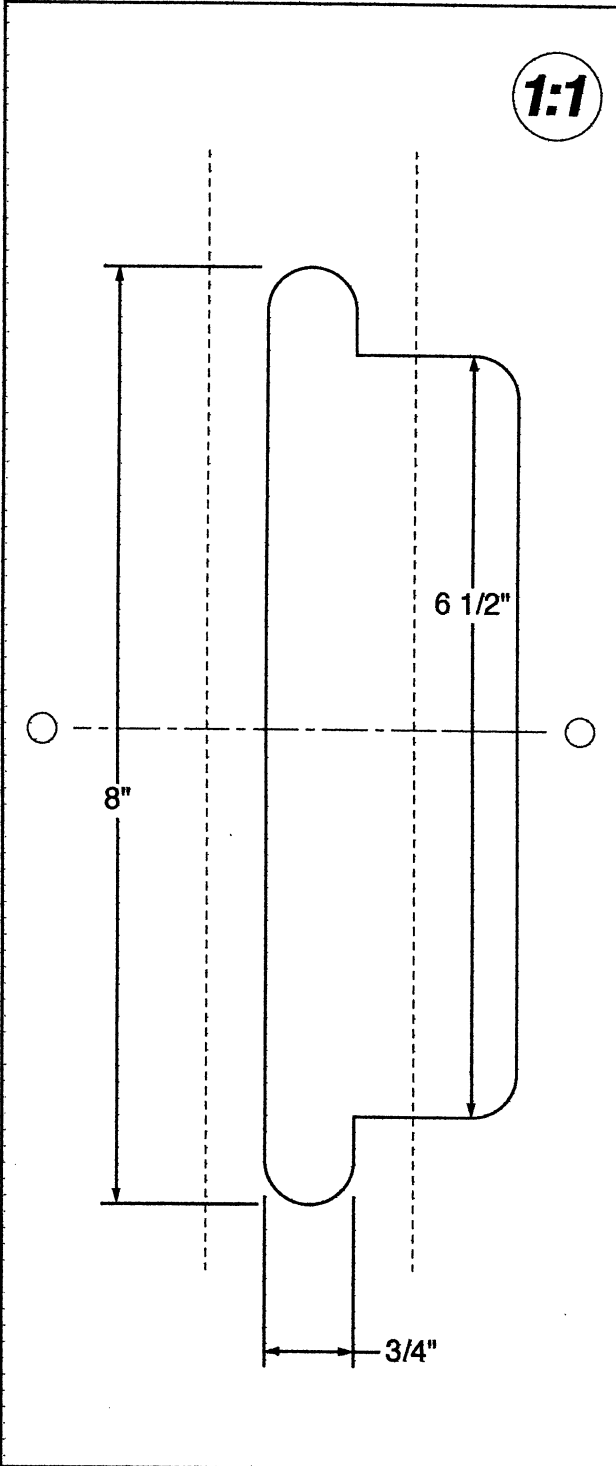
© 1994, Door Technologies Inc.

STRIKES

3/32" deep

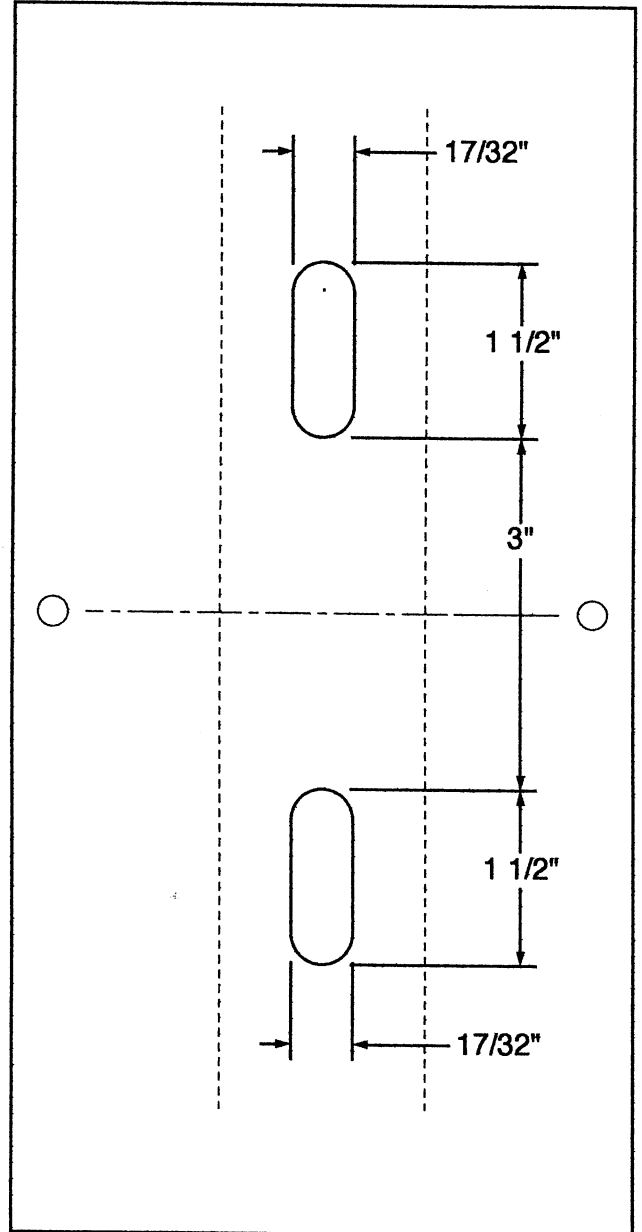
N-S 834A

ROUTER: 1:1
GUIDE BUSHING: 3/4"
BIT: 3/4"



N-S 834B

ROUTER: PLUNGE
GUIDE BUSHING: 13/16"
BIT: 1/2"



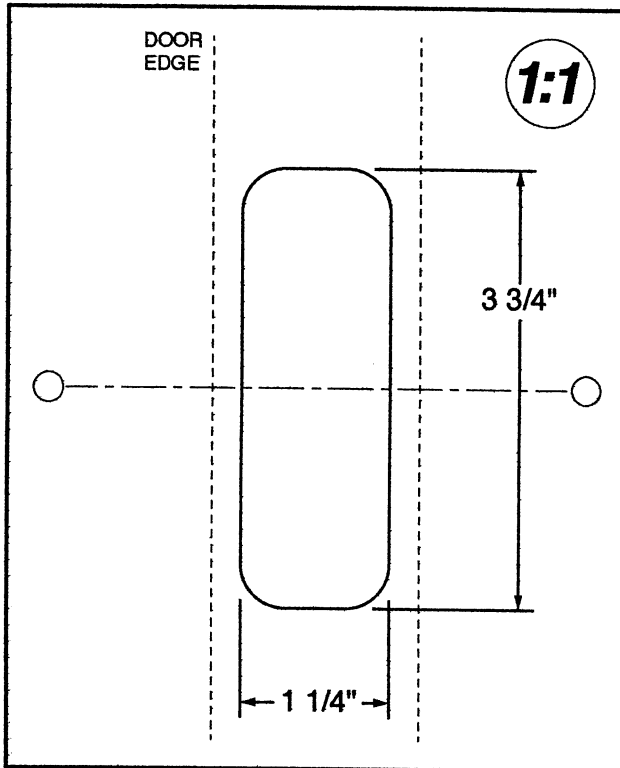
3-6-02

STRIKES

3/32" deep

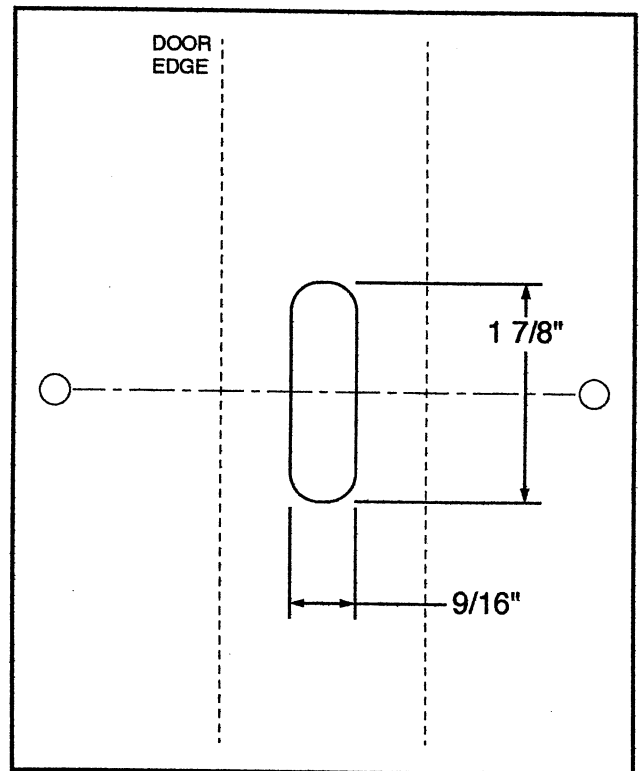
N-S 835A

ROUTER: 1:1
GUIDE BUSHING: 3/4"
BIT: 3/4"



N-S 835B

ROUTER: Plunge
GUIDE BUSHING: 13/16"
BIT: 1/2"

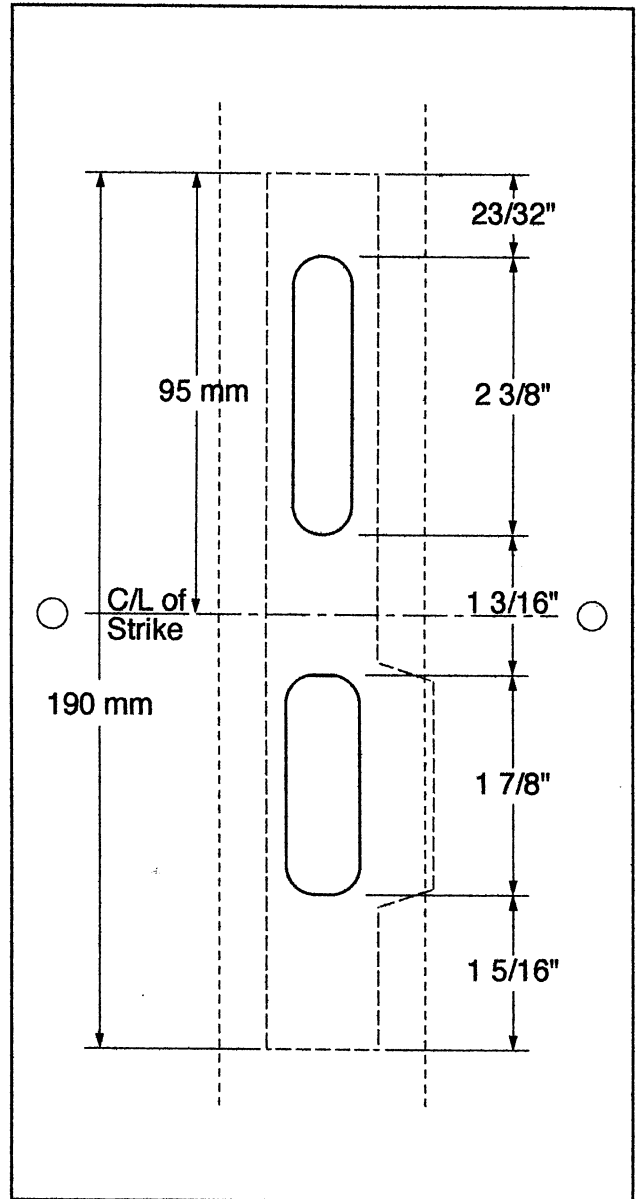


3-6-02

STRIKES

N-S 880

ROUTER: PLUNGE
GUIDE BUSHING: 13/16"
BIT: 1/2"

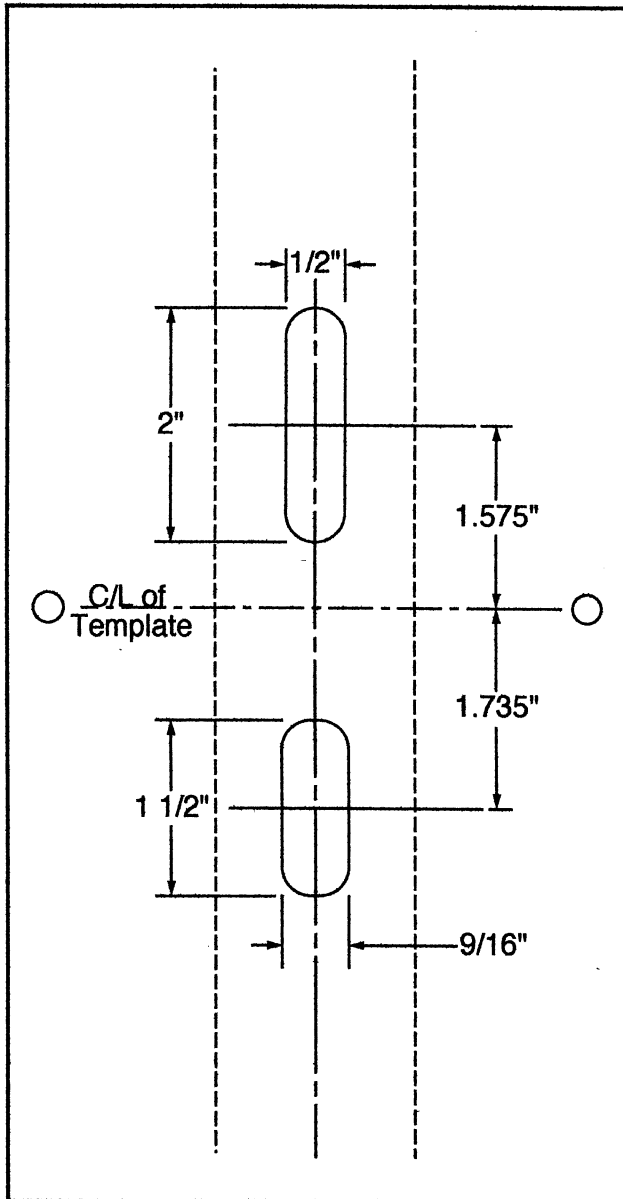


11-5-96

STRIKES

N-S 881

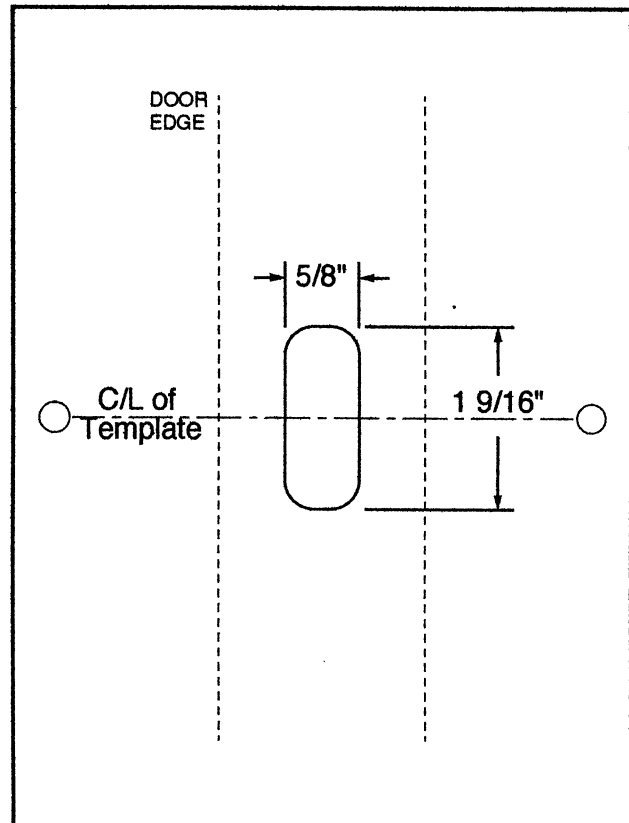
ROUTER: PLUNGE
GUIDE BUSHING: 13/16"
BIT: 1/2"



5/8" deep

N-S 882

ROUTER: Plunge
GUIDE BUSHING: 13/16"
BIT: 1/2"

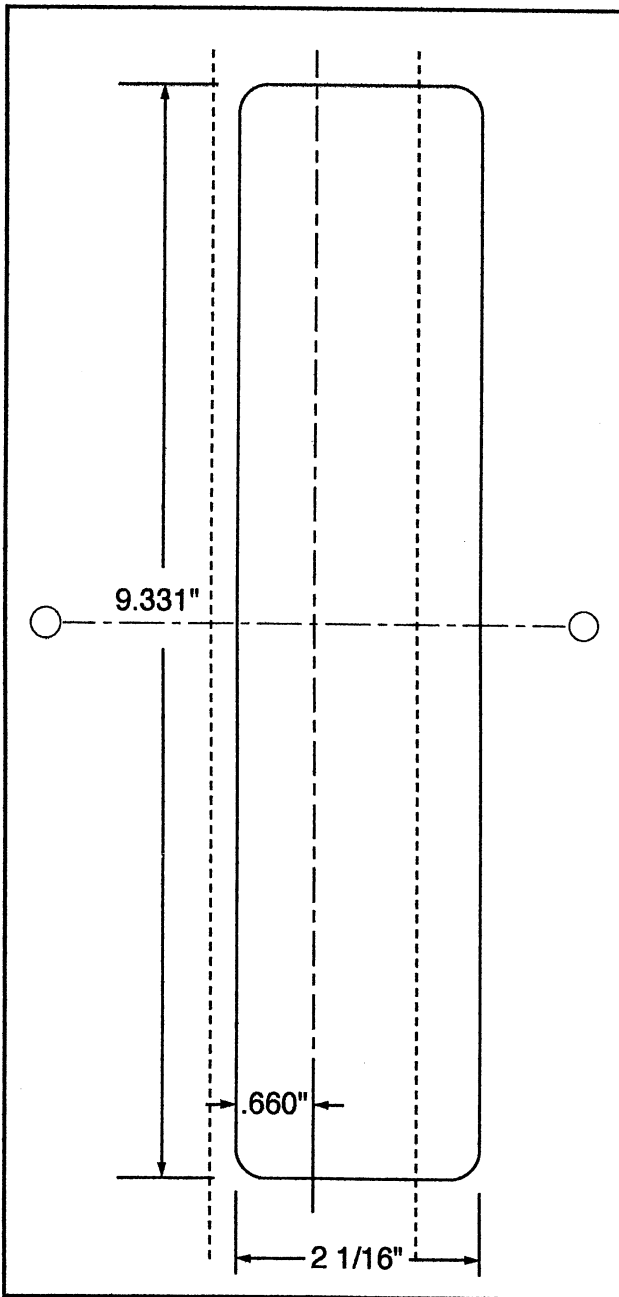


10-12-98

STRIKES

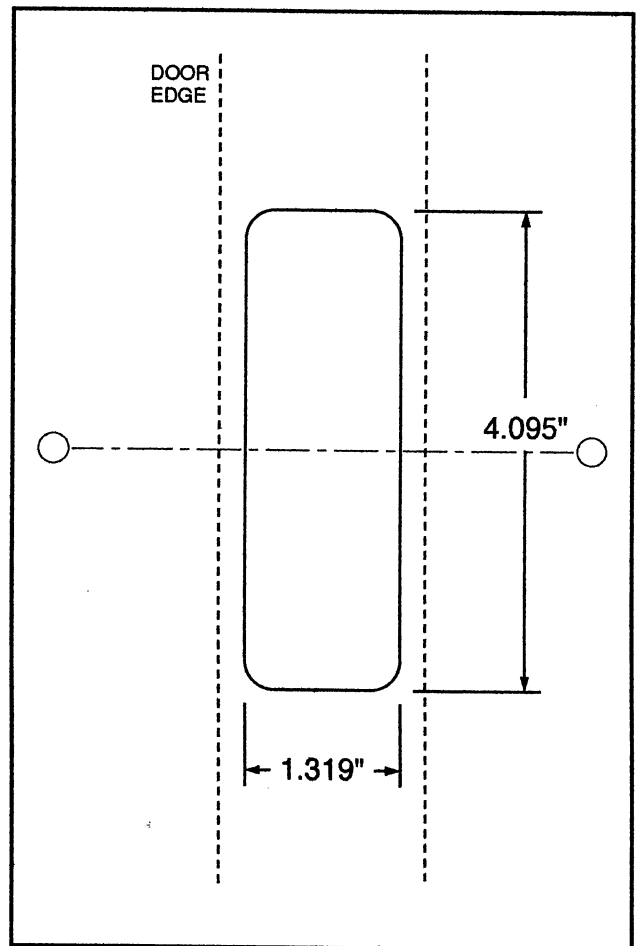
N-S 933

ROUTER: PLUNGE
GUIDE BUSHING: 13/16"
BIT: 1/2"



N-S 934

ROUTER: PLUNGE
GUIDE BUSHING: 13/16"
BIT: 1/2"

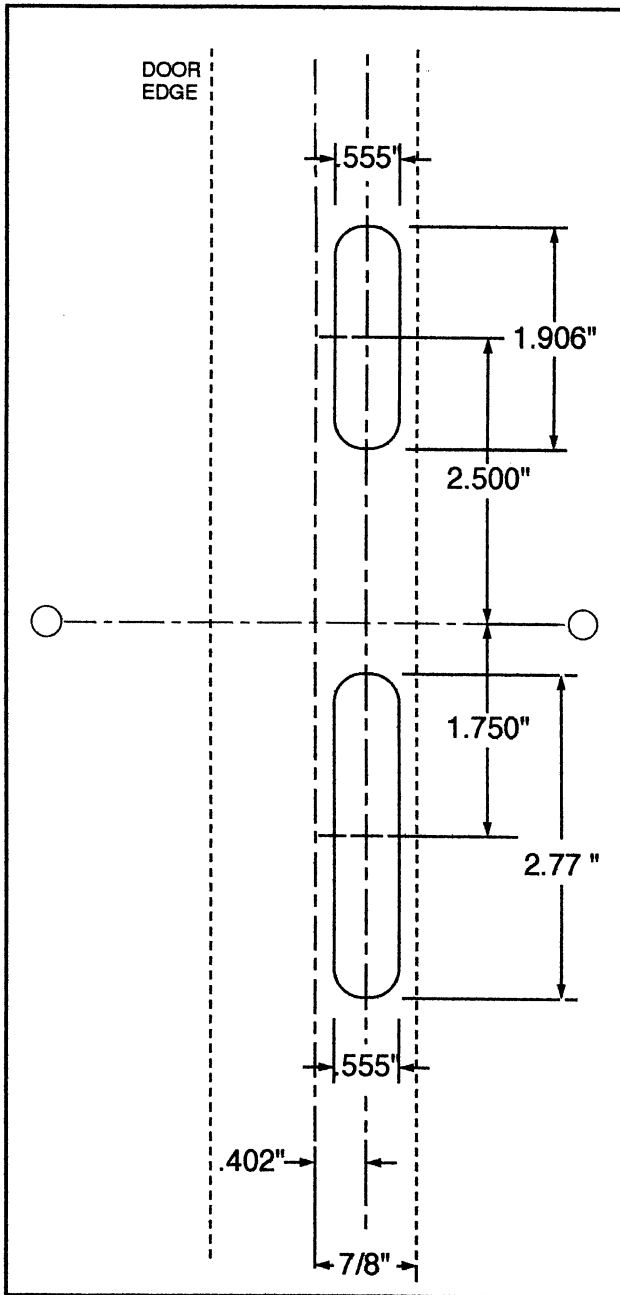


01-03-02

STRIKES

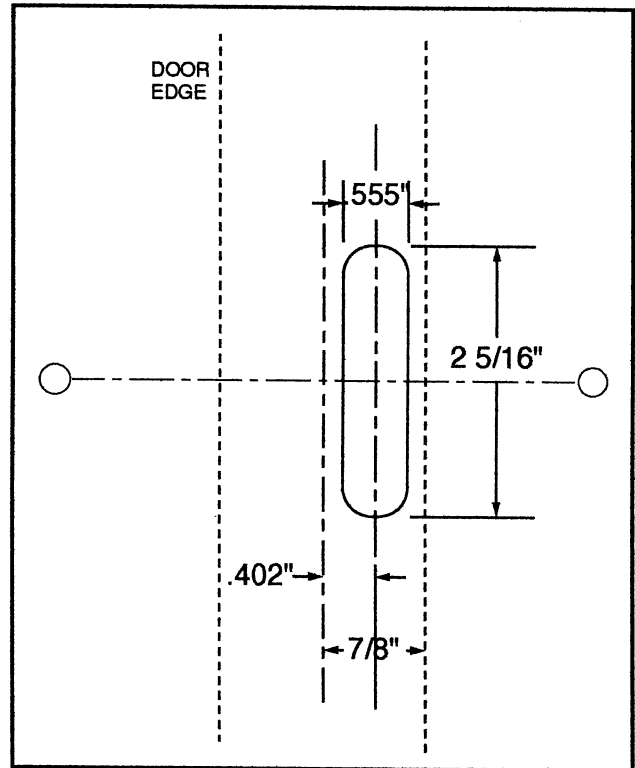
N-S 983

ROUTER: PLUNGE
GUIDE BUSHING: 13/16"
BIT: 1/2"



N-S 984

ROUTER: PLUNGE
GUIDE BUSHING: 13/16"
BIT: 1/2"

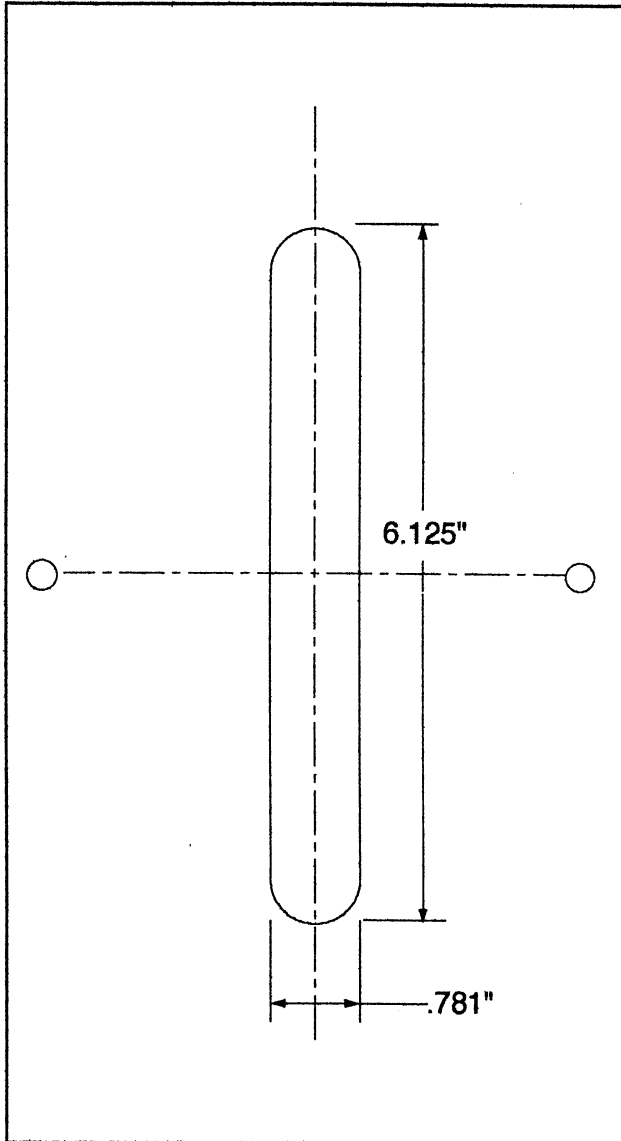


01-03-02

SLIDER/ROLLER

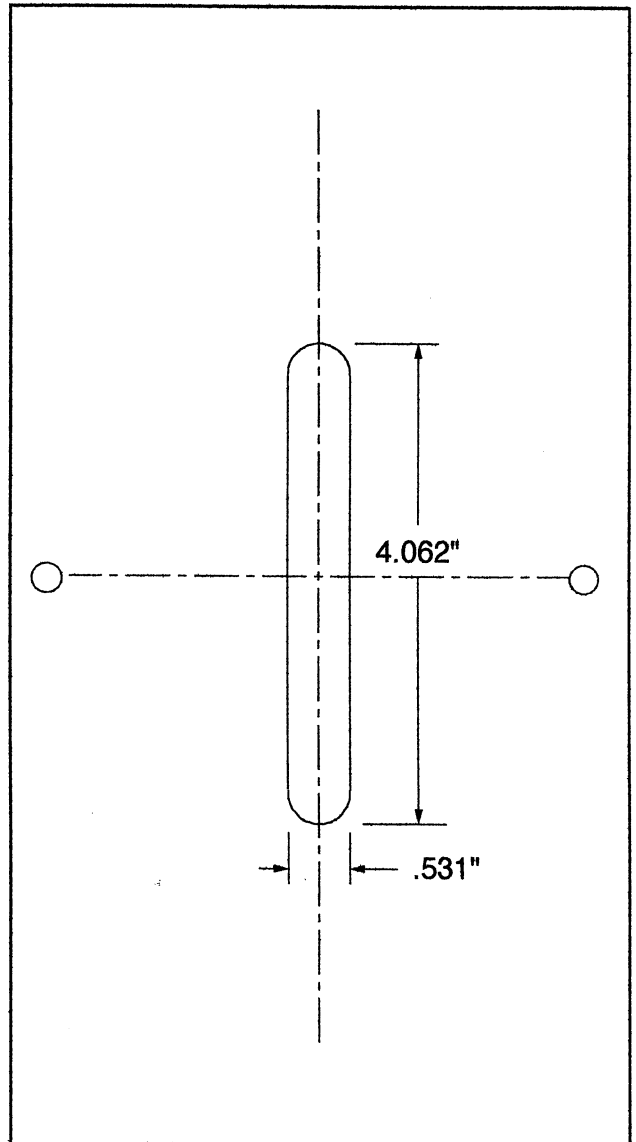
ROUTER: PLUNGE
GUIDE BUSHING: 13/16"
BIT: 1/2"

N-S/R 01A



ROUTER: PLUNGE
GUIDE BUSHING: 13/16"
BIT: 1/2"

N-S/R 01B



Do not scale drawings.

Actual cutting dimensions are shown. Template dimensions are adjusted for router Guide-Bit difference.

Compare these drawings to manufacturer's template drawings to confirm:

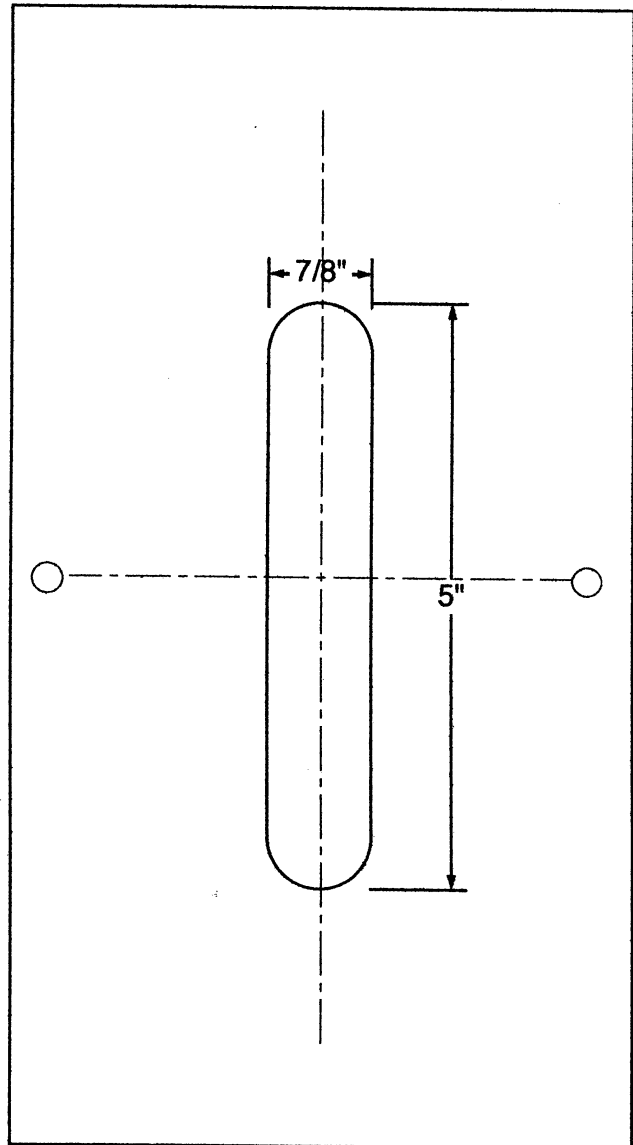
1. which portions of these templates apply;
2. relation of shown centerlines to those in manufacturer's template drawings or hardware;
3. correctness of dimensions.

5-10-96

SLIDER/ROLLER

ROUTER: PLUNGE
GUIDE BUSHING: 13/16"
BIT: 1/2"

N-S/R 02



Do not scale drawings.

Actual cutting dimensions are shown. Template dimensions are adjusted for router Guide-Bit difference.

Compare these drawings to manufacturer's template drawings to confirm:

1. which portions of these templates apply;
2. relation of shown centerlines to those in manufacturer's template drawings or hardware;
3. correctness of dimensions.

10-14-97

PIVOTS

Index by Manufacturer's Template Number

DOR-O-MATIC

Mfr. Template No.	Location	DoorTech Part No.	Comments
01127	9-80	Bottom	N-P027
		Top	N-P019
01128	5-80	Bottom	N-P027
		Top	N-P019
0117	5-80	Bottom	N-P372
		Top	N-P180
01172	4-80	Bottom	N-P372
		Top	N-P180
01175	2-87	Bottom	N-P375
		Top	N-P180
01177	2-80	Bottom	N-P077
		Top	N-P021
01178	5-80	Bottom	N-P077
		Top	N-P021
01195	4-80	Bottom	N-P395
		Top	N-P180
0119AC	6-80	Intermediate	N-P170
01370	2-87	Bottom	N-P008
		Top	N-P020
0174, 0174H	7-80	Top	N-P021
0175, 0175H	7-80	Top	N-P021
019AL	3-80	Intermediate	N-PML19
		Intermediate	N-PML20
		Intermediate	N-PML21
0875	5-80	Bottom	N-P375
		Top	N-P180
0876	2-80	Bottom	N-P375
		Top	N-P181
200 Series 1-1/2" offset	9-80	Bottom	N-P375
		Top	N-P181
200 Series 3/4" offset	5-80	Bottom	N-P375
		Top	N-P180
210M Series	5-80	Bottom	N-P010
		Top	N-P021
250 Series 1-1/2" offset	2-80	Bottom	N-P375

PIVOTS

Index by Manufacturer's Template Number

DOR-O-MATIC

Mfr. Template No.	Location	DoorTech Part No.	Comments
	Top	N-P181	
250 Series 3/4" offset	5-80 Bottom Intermediate Top	N-P375 N-PM19 N-P180	
2500M Series 1-1/2" offset	9-80 Bottom Intermediate Top	N-P375 N-PM19 N-P181	
2500M Series 3/4" offset	2-80 Bottom Intermediate Top	N-P375 N-PM19 N-P180	
2600M Series	5-80 Bottom Top	N-P010 N-P021	2-5/8" Inset 2-5/8" Inset
260M Series	2-80 Bottom Top	N-P010 N-P021	2-5/8" Inset 2-5/8" Inset
280 AC	5-80 Intermediate Top	N-PM19 N-P180	
280 AL	3-80 Intermediate Intermediate Intermediate Top Top Top	N-PML19 N-PML20 N-PML21 N-PL314 N-PL315 N-PL316	1-3/4" thick doors. 2" thick doors. 2-1/4" thick doors. 1-3/4" thick doors. Allows 1/8" each side for lead. 2" thick doors. Allows 1/8" each side for lead. 2-1/4" thick doors. Allows 1/8" each side for lead.
300M Series	2-80 Bottom Top	N-P010 N-P021	2-5/8" Inset 2-5/8" Inset
300W Series	4-80 Bottom Top	N-P010 N-P021	2-5/8" Inset 2-5/8" Inset
3200 Series	5-80 Bottom Top	N-P010 N-P021	2-5/8" Inset 2-5/8" Inset
3200-W Series	2-87 Bottom Top	N-P010 N-P021	2-5/8" Inset 2-5/8" Inset
3250 Series	8-80 Bottom Intermediate Top	N-P375 N-PM19 N-P180	
38	6-80 Top	N-P180	

PIVOTS

Index by Manufacturer's Template Number

DOR-O-MATIC

Mfr. Template No.	Location	DoorTech Part No.	Comments
3819	6-80	Intermediate	N-PM19
4000M Series	2-80	Bottom	N-P010 2-5/8" Inset
		Bottom	N-P010 2-5/8" Inset
		Top	N-P021 2-5/8" Inset
L0117	7-80	Bottom	N-PL311 1-3/4" thick doors. Allows 1/8" each side for lead.
		Bottom	N-PL312 2" thick doors. Allows 1/8" each side for lead.
		Bottom	N-PL313 2-1/4" thick doors. Allows 1/8" each side for lead.
		Top	N-PL314 1-3/4" thick doors. Allows 1/8" each side for lead.
		Top	N-PL315 2" thick doors. Allows 1/8" each side for lead.
		Top	N-PL316 2-1/4" thick doors. Allows 1/8" each side for lead.
L0147	4-80	Bottom	N-PL311 1-3/4" thick doors. Allows 1/8" each side for lead.
		Bottom	N-PL312 2" thick doors. Allows 1/8" each side for lead.
		Bottom	N-PL313 2-1/4" thick doors. Allows 1/8" each side for lead.
		Top	N-PL314 1-3/4" thick doors. Allows 1/8" each side for lead.
		Top	N-PL315 2" thick doors. Allows 1/8" each side for lead.
		Top	N-PL316 2-1/4" thick doors. Allows 1/8" each side for lead.
LL2500	5-80	Bottom	N-PL311 1-3/4" thick doors. Allows 1/8" each side for lead.
		Bottom	N-PL312 2" thick doors. Allows 1/8" each side for lead.
		Bottom	N-PL313 2-1/4" thick doors. Allows 1/8" each side for lead.
		Intermediate	N-PML19 1-3/4" thick doors. Allows 1/8" each side for lead.
		Intermediate	N-PML20 2" thick doors. Allows 1/8" each side for lead.
		Intermediate	N-PML21 2-1/4" thick doors. Allows 1/8" each side for lead.
		Top	N-PL314 1-3/4" thick doors. Allows 1/8" each side for lead.
		Top	N-PL315 2" thick doors. Allows 1/8" each side for lead.
		Top	N-PL316 2-1/4" thick doors. Allows 1/8" each side for lead.

PIVOTS

Index by Manufacturer's Template Number

GLYNN JOHNSON

Mfr. Template No.	Location	DoorTech Part No.	Comments
829110-00(2) 8-22-94	Bottom	N-P302	P2 Bottom Pivot
	Intermediate	N-PM19	P3 Intermediate Pivot
	Top	N-P180	P1 Top Pivot
829150-00(2) 8-22-94	Intermediate	N-P303	P3A Intermediate Pivot
	Top	N-P301	P1A Top Pivot
829164-00(1) 8-22-94	Intermediate	N-PM19	P3 EMN Intermediate Pivot
829165-00(1) 8-22-94	Intermediate	N-PM19	P3 ETW Intermediate Pivot
829215-00(1) 8-22-94	Intermediate	N-PM19	P3 ETM Intermediate Pivot

PIVOTS

Index by Manufacturer's Template Number

HAGER

Mfr. Template No.	Location	DoorTech Part No.	Comments
T323	Rev.'89 Intermediate	N-P423	
T353	Rev.'89 Top	N-P180	
T354	Rev.'89 Intermediate	N-PM19	
T355	Rev.'89 Bottom	N-P302	
T356	Rev.'89 Top/Bottom	N-P056	Square Edged doors
T361	Rev.'89 Bottom	N-P061	Square Edged doors
		N-P062	Square Edged doors
T362	Rev.'89 Bottom	N-P061	Square Edged doors
		N-P062	Square Edged doors
T363	Rev.'89 Bottom	N-P063	Square Edged doors
		N-P062	Square Edged doors

PIVOTS

Index by Manufacturer's Template Number

LAWRENCE

Mfr. Template No.	Location	DoorTech Part No.	Comments
2200	Top	N-P029	Top Socket
2203	Top	N-P028	
7101-32D	Bottom	N-P071	
	Top	N-P072	
7102-32D	Bottom	N-P071	
	Top	N-P072	
8001	Bottom	N-P081	
	Top	N-P080	

PIVOTS

Index by Manufacturer's Template Number

LCN

Mfr. Template No.		Location	DoorTech Part No.	Comments
7226-3107	11/96		N-P379	
7237-3107	11/96		N-P378	
7250-3101	11/96		N-P051	
2010-CP	6-3-63	Bottom	N-P050	Inset can vary
		Top	N-P051	
2010-OP	1-2-64	Bottom	N-P304	
		Top	N-P180	
2030-CP	3-26-65	Bottom	N-P050	Inset can vary
		Top	N-P051	
2030-OP	4-8-65	Bottom	N-P304	
		Top	N-P180	
5010-CP	11-12-63	Bottom	N-P050	Inset can vary
		Top	N-P051	
5010-OP	2-26-64	Bottom	N-P304	
		Top	N-P180	
5030-CP	3-25-65	Bottom	N-P050	Inset can vary
		Top	N-P051	
5030-OP	4-9-65	Bottom	N-P304	
		Top	N-P180	
6030-CP	10/6/89	Top	N-P051	Inset can vary
CP-150	7-25-63	Bottom	N-P050	Inset can vary
		Top	N-P051	
IP-170	Rev. 4-24-87	Intermediate	N-P170	
OP 160	1-29-64	Bottom	N-P304	
		Top	N-P180	
OP 160J	11-28-67	Bottom	N-P304	
		Top	N-P180	

PIVOTS

Index by Manufacturer's Template Number

RIXON

Mfr. Template No.	Location	DoorTech Part No.	Comments
CH20000	9-98	Bottom	N-P016
		Top	N-P011
CH20015	6-94	Bottom	N-P002
		Top	N-P012
CH20100	6-94	Bottom	N-P002
		Top	N-P012
CH20105	6-94	Bottom	N-P013
		Top	N-P012
CH20110	6-96	Bottom	N-P022
		Top	N-P025
CH20120	6-96	Bottom	N-P003
		Top	N-P012
CH20200	9-95	Bottom	N-P023
		Top	N-P025
CH20205	6-94	Bottom	N-P009
		Top	N-P012
CH20300	11-97	Bottom	N-P009
		Top	N-P012
CH20305	6-94	Bottom	N-P003
		Top	N-P012
CH20310	6-94	Bottom	N-P023
		Top	N-PH340
CH20312	9-98	Bottom	N-P022
		Top	N-PH340
CH20315	6-94	Bottom	N-P009
		Top	N-P012
CH20400	6-94	Bottom	N-P009
		Top	N-P012
CH20402	6-94	Bottom	N-P013
		Top	N-P012
CH20405	6-94		N-P003A
		Top	N-P012
CH20410	6-94	Bottom	N-P009
		Top	N-P012

PIVOTS

Index by Manufacturer's Template Number

RIXON

Mfr. Template No.	Location	DoorTech Part No.	Comments
IP50000	6-94 Intermediate	N-PM19	
IP50010	6-94 Intermediate	N-PM19	Template for electrical cutout not provided.
IP50015	6-94 Intermediate	N-PM19	Template for electrical cutout not provided.
IP50020A	6-94 Intermediate	N-PM19	
IP50050	6-94 Intermediate	N-PM19	
IP50060	6-94 Intermediate	N-PM19	
IP50070	9-98 Intermediate	N-PML19	1-3/4" thick doors.
	Intermediate	N-PML20	2" thick doors.
	Intermediate	N-PML21	2-1/4" thick doors.
IP50100	6-94 Intermediate	N-P170	
IP50300	6-94 Intermediate	N-PM19	
IP50310	6-94 Intermediate	N-PM19	
IP50320	6-94 Intermediate	N-PML19	1-3/4" thick doors.
	Intermediate	N-PML20	2" thick doors.
	Intermediate	N-PML21	2-1/4" thick doors.
IP50500A	6-97 Intermediate	N-P401	
IP50500B	6-94 Intermediate	N-P401	
OC60100	6-96 Bottom	N-P015	
	Top	N-P700A	
OC60110	6-94 Bottom	N-P015	
	Top	N-P700	N-P700B for optional NO. 199 door end cap.
OC60120	4-95 Bottom	N-P015	
	Top	N-P700	N-P700B for optional NO. 199 door end cap.
OC60130	6-94 Bottom	N-P015	
	Top	N-P700A	
OC60420A	4-95 Bottom	N-P015	
	Top	N-P700A	
OC60440A	7-95 Bottom	N-P015	
	Top	N-P700	N-P700B for optional NO. 199 door end cap.
OC60450A	8-95 Bottom	N-P015	
	Top	N-P700A	
OS10000	6-94 Bottom	N-P311A	
	Top	N-P180	

PIVOTS

Index by Manufacturer's Template Number

RIXON

Mfr. Template No.		Location	DoorTech Part No.	Comments
OS10015	9-95	Bottom	N-PL301A	1-3/4" Thick doors
		Top	N-P180	
OS10030	6-94	Bottom	N-PL301A	1-3/4" Thick doors
		Bottom	N-PL302A	2" Thick doors
		Bottom	N-PL303A	2-1/4" Thick doors
		Top	N-PL180	1-3/4" thick doors.
		Top	N-PL181	2" thick doors.
		Top	N-PL182	2-1/4" thick doors.
OS10040	6-94	Bottom	N-P312	
		Top	N-P180	
OS10055	6-94	Bottom	N-P311A	
		Top	N-P180	
OS10060	6-94	Bottom	N-P111A	
		Top	N-P181	
OS10080	6-94	Bottom	N-PL301A	1-3/4" Thick doors
		Bottom	N-PL302A	2" Thick doors
		Bottom	N-PL303A	2-1/4" Thick doors
		Top	N-PL180	1-3/4" thick doors.
		Top	N-PL181	2" thick doors.
		Top	N-PL182	2-1/4" thick doors.
OS10090	6-94	Intermediate	N-PM19	
		Top	N-P180	
OS10100	6-94	Intermediate	N-PM19	
		Top	N-P180	
OS10110	6-94	Bottom	N-P312	
		Top	N-P180	
OS10200	6-94	Bottom	N-P311A	
		Top	N-P180	
OS10205	11-97	Bottom	N-P111A	
		Top	N-P181	
OS10215	6-96	Intermediate	N-PM19	
		Top	N-P180	
OS10220	6-94	Intermediate	N-PM19	
		Top	N-P180	
OS10300	6-94	Bottom	N-P312	

PIVOTS

Index by Manufacturer's Template Number

RIXON

Mfr. Template No.		Location	DoorTech Part No.	Comments
		Top	N-P180	
OS10340	6-94	Bottom	N-P312	
		Top	N-P180	
OS10500	6-94	Bottom	N-PL301A	1-3/4" Thick doors
		Top	N-P180	
OS10700	6-94	Bottom	N-P311A	
		Top	N-P180	
OS10705	6-94	Bottom	N-P111A	
		Top	N-P181	
PS30000	9-98	Bottom	N-P312	
		Top	N-P180	
PS30010	6-94	Bottom	N-P102	
		Top	N-P181	
PS30015	6-94	Bottom	N-P311A	
		Top	N-P180	
PS30020	6-94	Bottom	N-P111A	
PS30030	4-95	Bottom	N-PL301A	1-3/4" Thick doors
		Top	N-P180	
PS30040	6-94	Bottom	N-PL301A	1-3/4" Thick doors
		Top	N-PL180	1-3/4" thick doors.
PS30045	6-94	Bottom	N-PL301A	1-3/4" Thick doors
		Bottom	N-PL302A	2" Thick doors
		Bottom	N-PL303A	2-1/4" Thick doors
		Top	N-PL180	1-3/4" thick doors.
		Top	N-PL181	2" thick doors.
		Top	N-PL182	2-1/4" thick doors.
PS30100	6-94	Bottom	N-P018	
		Top	N-P024	
PS30110	9-95	Bottom	N-P023	2" or thicker doors.
		Top	N-PH340	
PS30120	6-96	Bottom	N-P022	
		Top	N-PH340	
PS30200	11-97	Bottom?	N-P320A	
		Top	N-P320	
PS30300	11-97	Bottom	N-P311	

PIVOTS

Index by Manufacturer's Template Number

RIXON

Mfr. Template No.		Location	DoorTech Part No.	Comments
		Top	N-P180	
PS30310	6-94	Bottom	N-P111	
		Top	N-P181	
PS30315	9-98	Bottom	N-PL301	1-3/4" Thick doors.
		Top	N-P180	
PS30320	9-98	Bottom	N-P311	
		Top	N-P180	
PS30330	9-98	Bottom	N-P111	
		Top	N-P181	
PS30335	9-98	Bottom	N-PL301	1-3/4" Thick doors.
		Top	N-P180	
PS30340	9-98	Bottom	N-PL301	1-3/4" Thick doors.
		Top	N-PL180	1-3/4" thick doors.
PS30350	9-98	Bottom	N-PL301	1-3/4" Thick doors
		Bottom	N-PL302	2" Thick doors
		Bottom	N-PL303	2-1/4" Thick doors
		Top	N-PL180	1-3/4" thick doors.
		Top	N-PL181	2" thick doors.
		Top	N-PL182	2-1/4" thick doors.
PS30400	6-94	Intermediate	N-PM19	
		Top	N-P180	
PS30500	6-94	Bottom	N-P302	
		Top	N-P180	
PS30600	6-94	Bottom	N-P008	
		Top	N-P024	
SC90300	6-94	Bottom	N-P009A	
		Top	N-P012	
SC90310	6-94	Bottom	N-P311A	
		Top	N-P180	
SC90320	6-94	Bottom	N-P111	
		Top	N-P181	
SP110200	6-94	Top	N-P180	
SP110210	9-98	Intermediate	N-PM19	
SP110220	6-94	Top	N-P180	3/4" Offset
		Top	N-P181	1-1/2" Offset

PIVOTS

Index by Manufacturer's Template Number

RIXON

Mfr. Template No.		Location	DoorTech Part No.	Comments
SP110230	9-96	Intermediate	N-PM19	
SP110300	6-94	Top	N-P014	1-7/8" inset
SP110310	6-94	Top	N-P030	Also req's N-P031
		Top	N-P031	Also req's N-P030
SP110400	6-94	Bottom	N-PL301A	For use before cladding is applied.
		Top	N-PL181	For use before cladding is applied.
SP110500	6-94	Bottom	N-P023	2" or thicker doors.
		Top	N-P025	
TP40000	11-97	Top	N-P180	
TP40010	6-94	Top	N-P181	
TP40015	6-94	Top	N-P180	
TP40020	6-94	Top	N-PL180	1-3/4" thick doors.
		Top	N-PL181	2" thick doors.
		Top	N-PL182	2-1/4" thick doors.
TP40200	11-97	Top	N-P004	1-7/8" inset.
		Top	N-P320	1-1/4" inset.
TP40210	11-97	Top	N-P341	1-7/8" inset.
TP40220	6-94	Top	N-P341	1-7/8" inset.
TP40230	6-94	Top	N-PH340	2-5/8" inset.
TP40240	6-94	Top	N-P025	2-5/8" inset.
TP40300	11-97	Top	N-P180	
TP40320	6-94	Top	N-PL180	1-3/4" thick doors.
		Top	N-PL181	2" thick doors.
		Top	N-PL182	2-1/4" thick doors.
TP40500A	11-97	Top	N-P180	
TP40500B	11-97	Top	N-P180	
TP40500C	11-97	Top	N-P180	

PIVOTS

Index by Manufacturer's Template Number

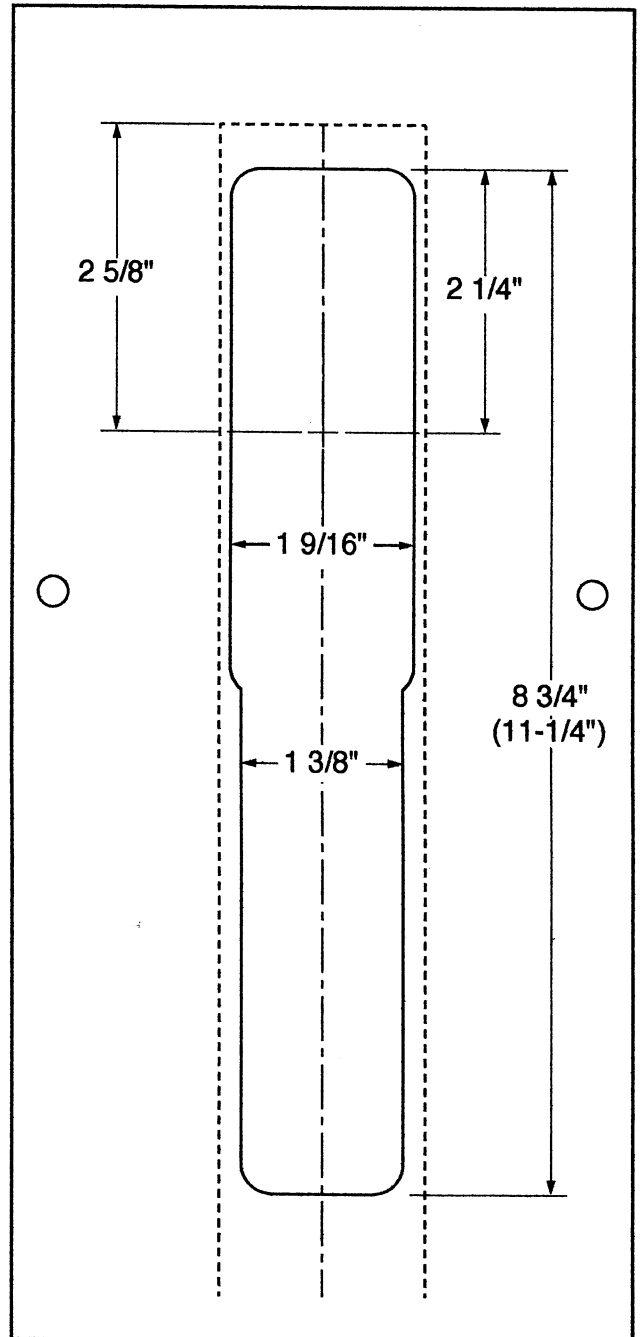
STANLEY

Mfr. Template No.	Location	DoorTech Part No.	Comments
Stanley T90-31	Top/Bottom	N-PDAP3	1 5/32" Inset

PIVOTS

ROUTER: PLUNGE
GUIDE BUSHING: 13/16"
BIT: 1/2"

N-P-002



Slide base $2 - \frac{1}{2}$ " in order to cut full length of $11 - \frac{1}{4}$ "

Do not scale drawings.

Actual cutting dimensions are shown. Template dimensions are adjusted for router Guide-Bit difference. Compare these drawings to manufacturer's template drawings to confirm:

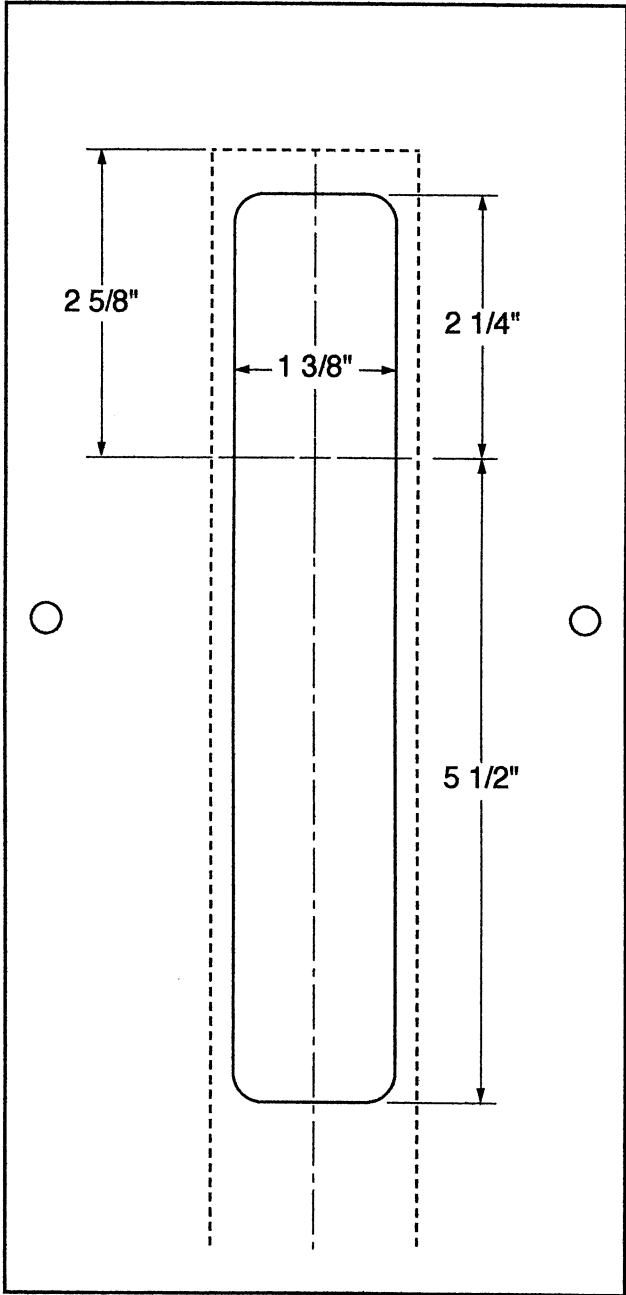
1. which portions of these templates apply;
2. relation of shown centerlines to those in manufacturer's template drawings or hardware;
3. correctness of dimensions.

9-1-93

PIVOTS

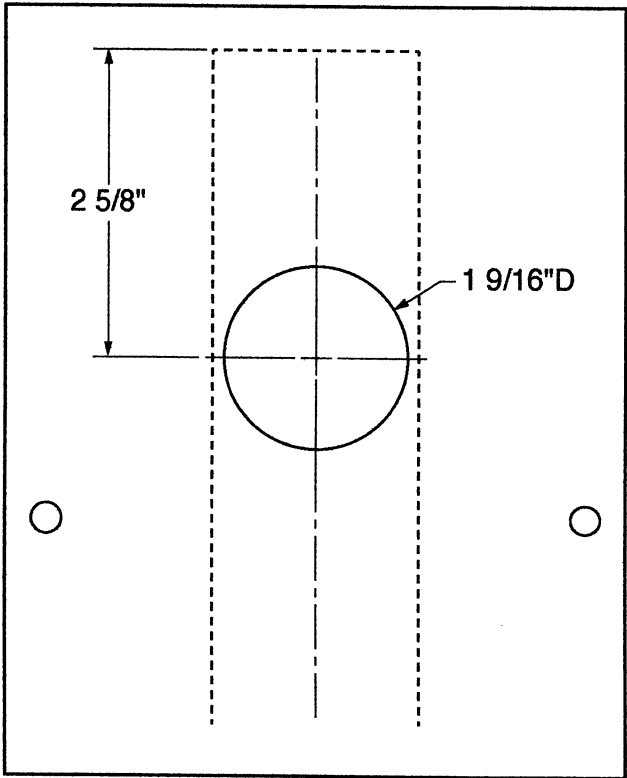
ROUTER: PLUNGE
GUIDE BUSHING: 13/16"
BIT: 1/2"

N-P-003 A



ROUTER: PLUNGE
GUIDE BUSHING: 13/16"
BIT: 1/2"

N-P-003 B



Do not scale drawings.

Actual cutting dimensions are shown. Template dimensions are adjusted for router Guide-Bit difference.

Compare these drawings to manufacturer's template drawings to confirm:

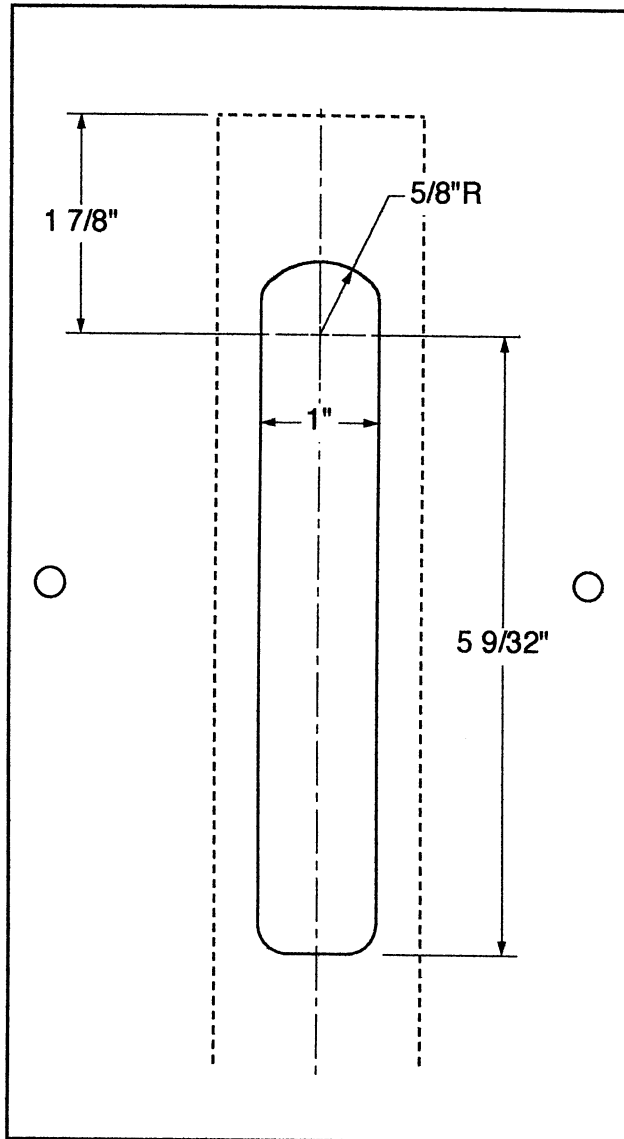
1. which portions of these templates apply;
2. relation of shown centerlines to those in manufacturer's template drawings or hardware;
3. correctness of dimensions.

9-1-93

PIVOTS

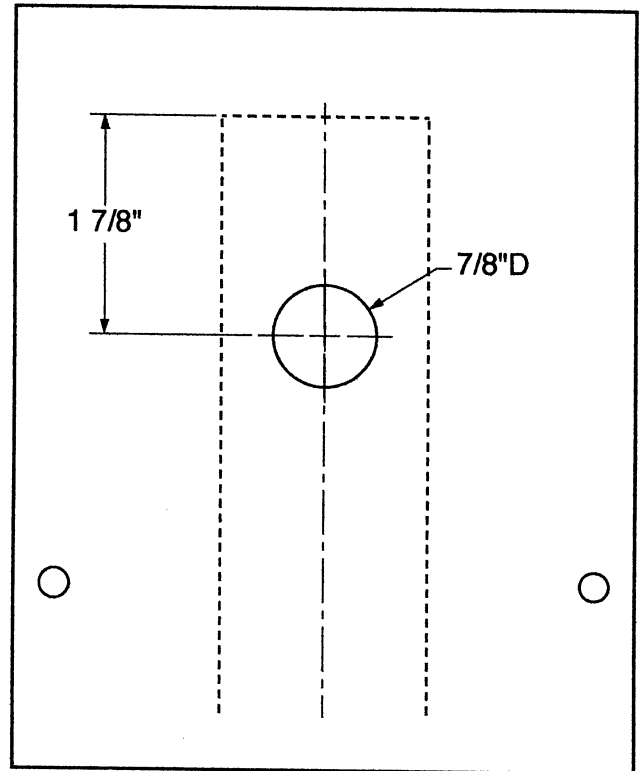
ROUTER: PLUNGE
GUIDE BUSHING: 13/16"
BIT: 1/2"

N-P-004 A



ROUTER: PLUNGE
GUIDE BUSHING: 13/16"
BIT: 1/2"

N-P-004 B



Do not scale drawings.

Actual cutting dimensions are shown. Template dimensions are adjusted for router Guide-Bit difference.

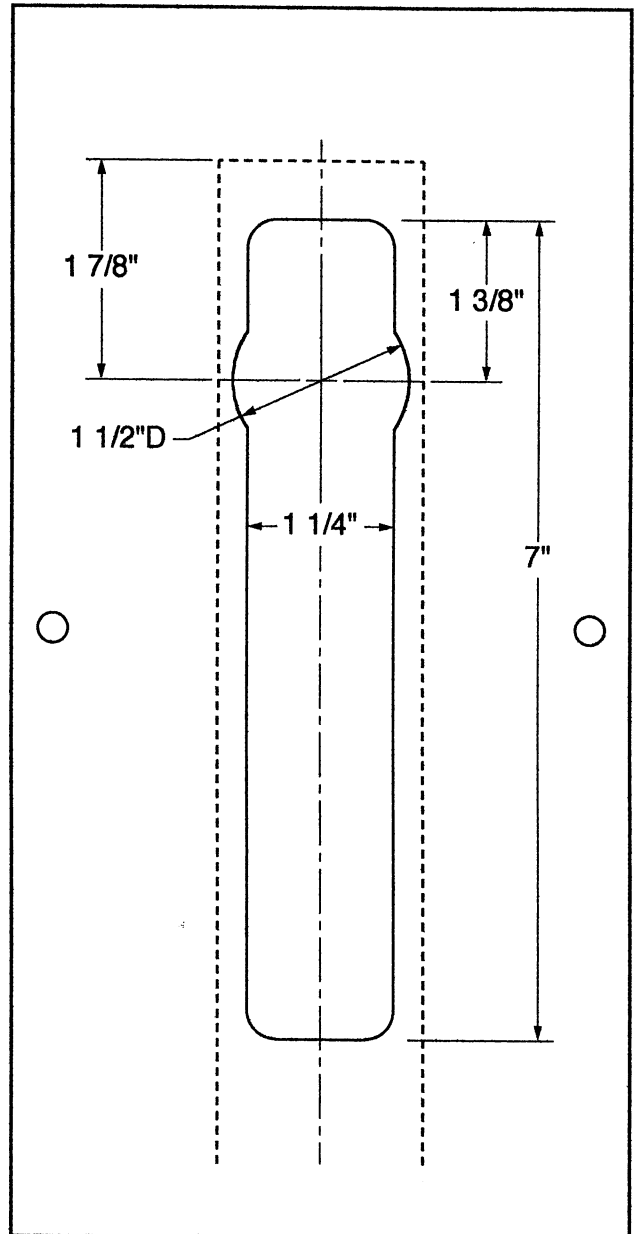
Compare these drawings to manufacturer's template drawings to confirm:

1. which portions of these templates apply;
2. relation of shown centerlines to those in manufacturer's template drawings or hardware;
3. correctness of dimensions.

PIVOTS

ROUTER: PLUNGE
GUIDE BUSHING: 13/16"
BIT: 1/2"

N-P-008



Do not scale drawings.

Actual cutting dimensions are shown. Template dimensions are adjusted for router Guide-Bit difference.

Compare these drawings to manufacturer's template drawings to confirm:

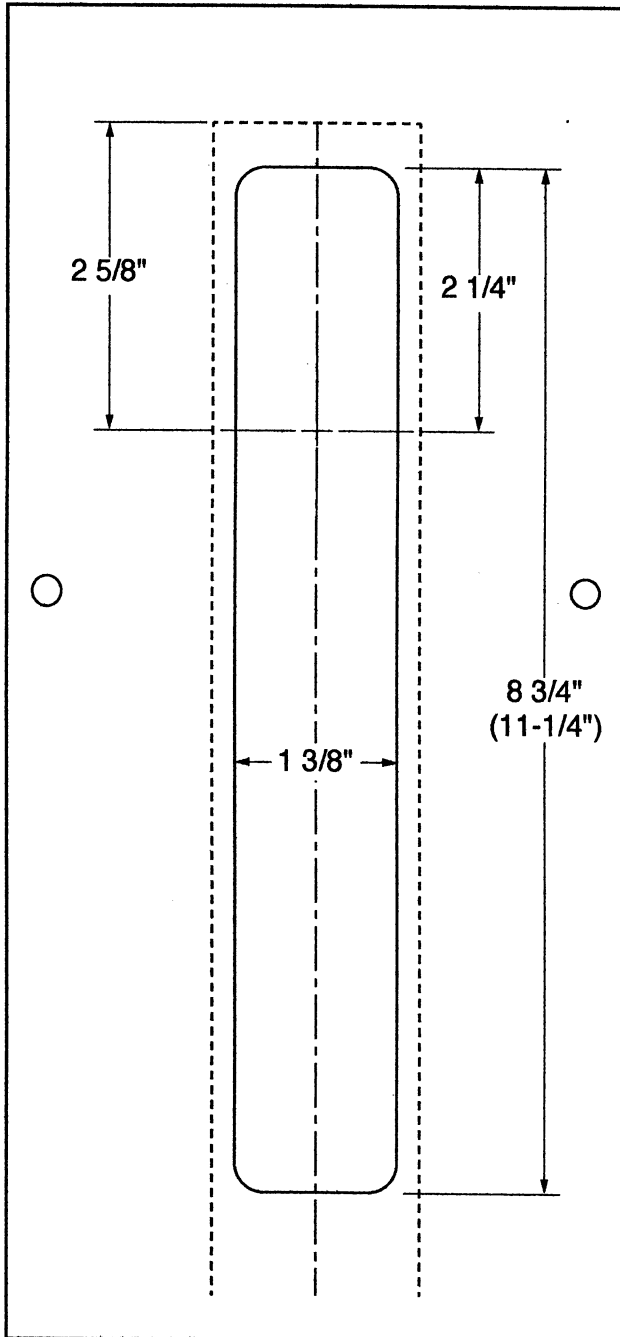
1. which portions of these templates apply;
2. relation of shown centerlines to those in manufacturer's template drawings or hardware;
3. correctness of dimensions.

7-14-95

PIVOTS

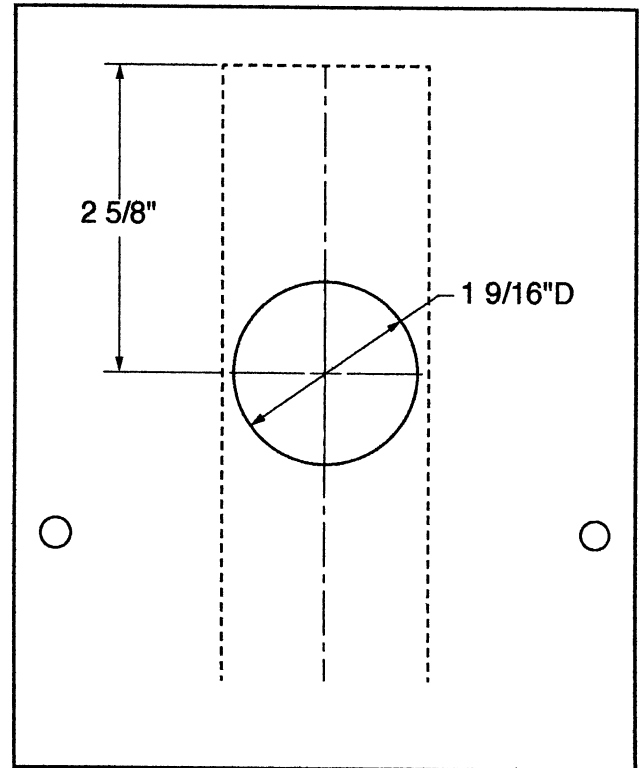
ROUTER: PLUNGE
GUIDE BUSHING: 13/16"
BIT: 1/2"

N-P-009 A



ROUTER: PLUNGE
GUIDE BUSHING: 13/16"
BIT: 1/2"

N-P-009 B



Slide base 2-1/2" in order to cut full length of 11-1/4"

Do not scale drawings.

Actual cutting dimensions are shown. Template dimensions are adjusted for router Guide-Bit difference. Compare these drawings to manufacturer's template drawings to confirm:

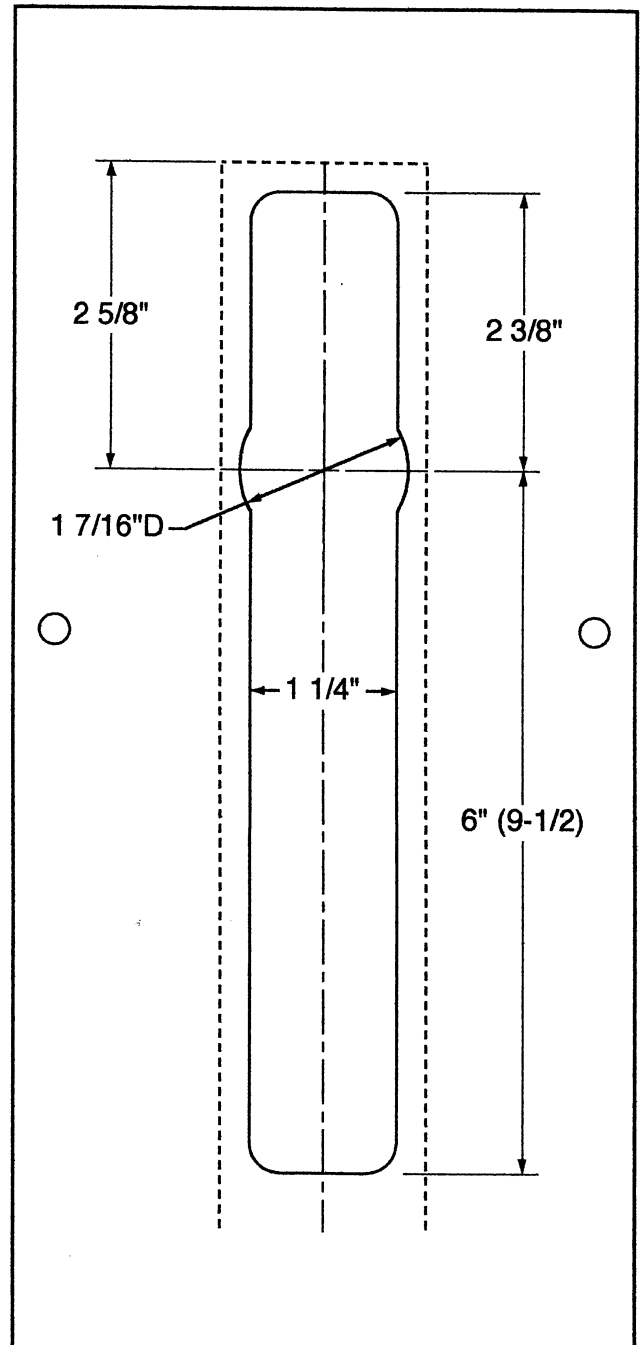
1. which portions of these templates apply;
2. relation of shown centerlines to those in manufacturer's template drawings or hardware;
3. correctness of dimensions.

7-14-95

PIVOTS

ROUTER: PLUNGE
GUIDE BUSHING: 13/16"
BIT: 1/2"

N-P-010



Slide Template 3-1/2" to route full 11-7/8"
length of the hardware.

Do not scale drawings.

Actual cutting dimensions are shown. Template dimensions are adjusted for router Guide-Bit difference.

Compare these drawings to manufacturer's template drawings to confirm:

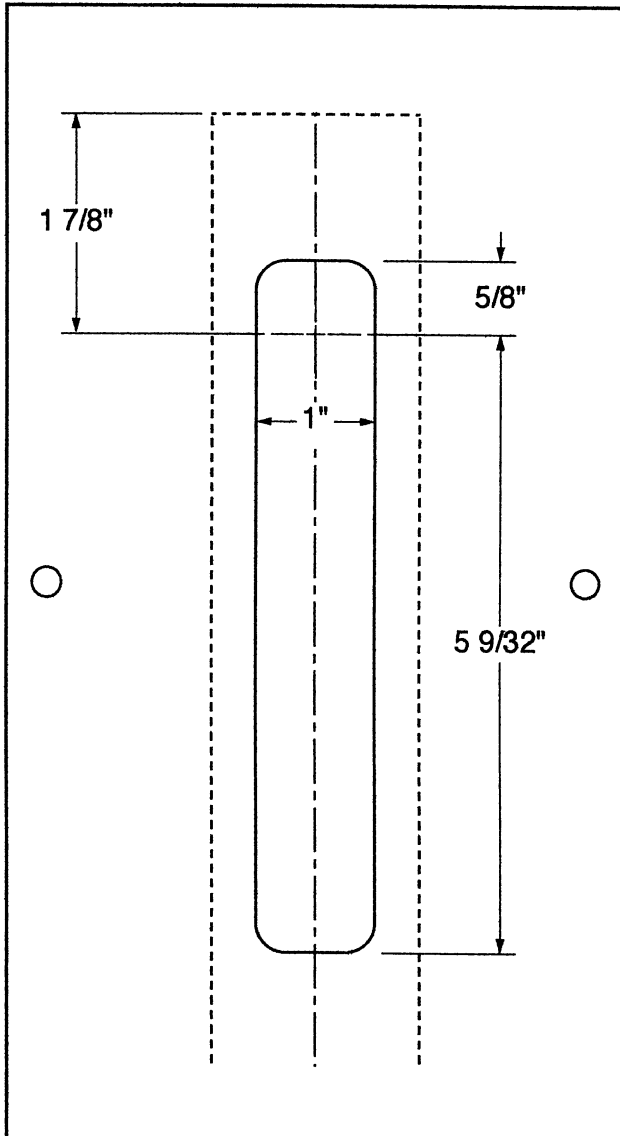
1. which portions of these templates apply;
2. relation of shown centerlines to those in manufacturer's template drawings or hardware;
3. correctness of dimensions.

7-14-95

PIVOTS

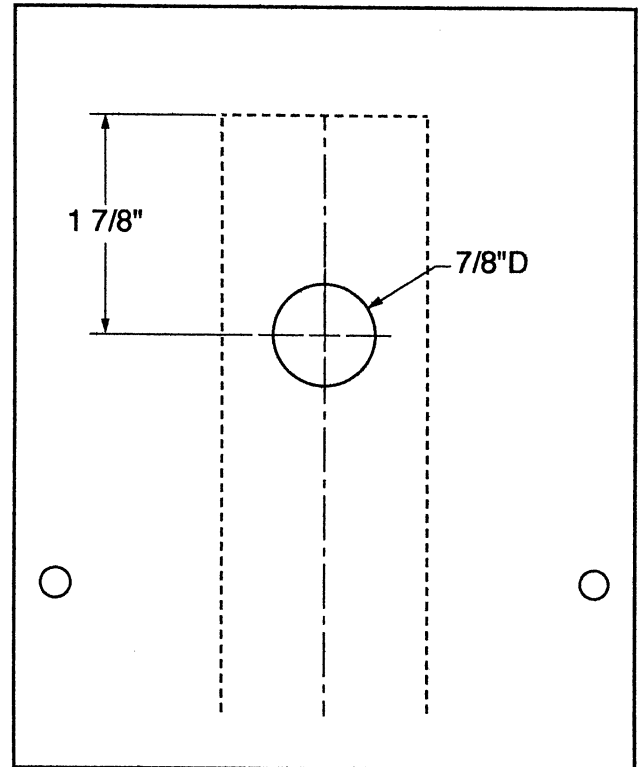
ROUTER: PLUNGE
GUIDE BUSHING: 13/16"
BIT: 1/2"

N-P-011 A



ROUTER: PLUNGE
GUIDE BUSHING: 13/16"
BIT: 1/2"

N-P-011 B



Do not scale drawings.

Actual cutting dimensions are shown. Template dimensions are adjusted for router Guide-Bit difference. Compare these drawings to manufacturer's template drawings to confirm:

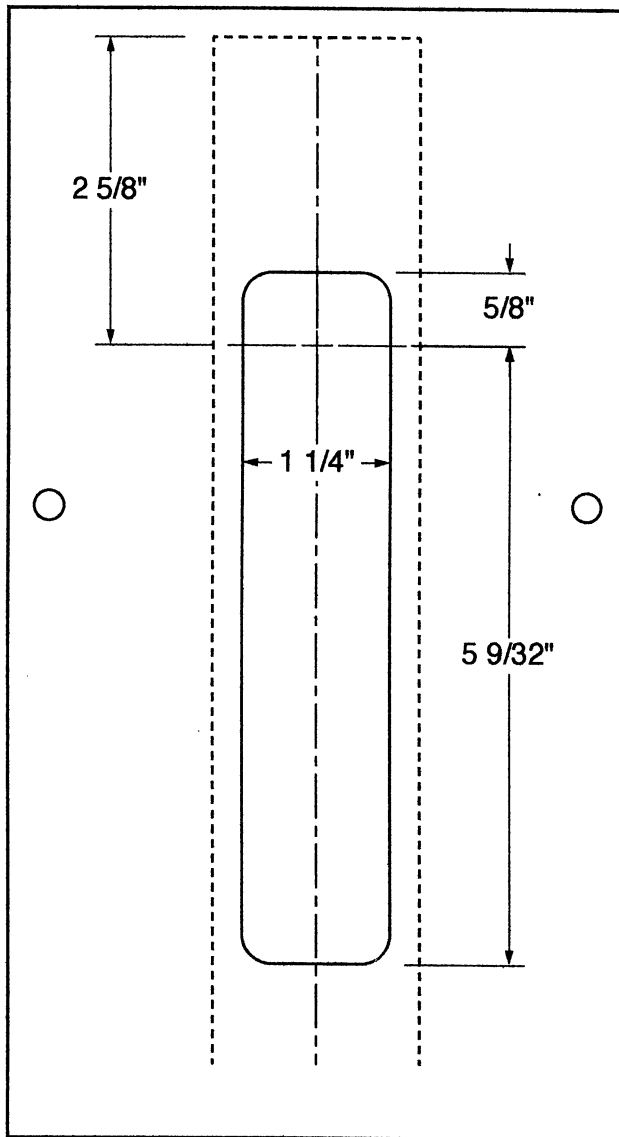
1. which portions of these templates apply;
2. relation of shown centerlines to those in manufacturer's template drawings or hardware;
3. correctness of dimensions.

7-14-95

PIVOTS

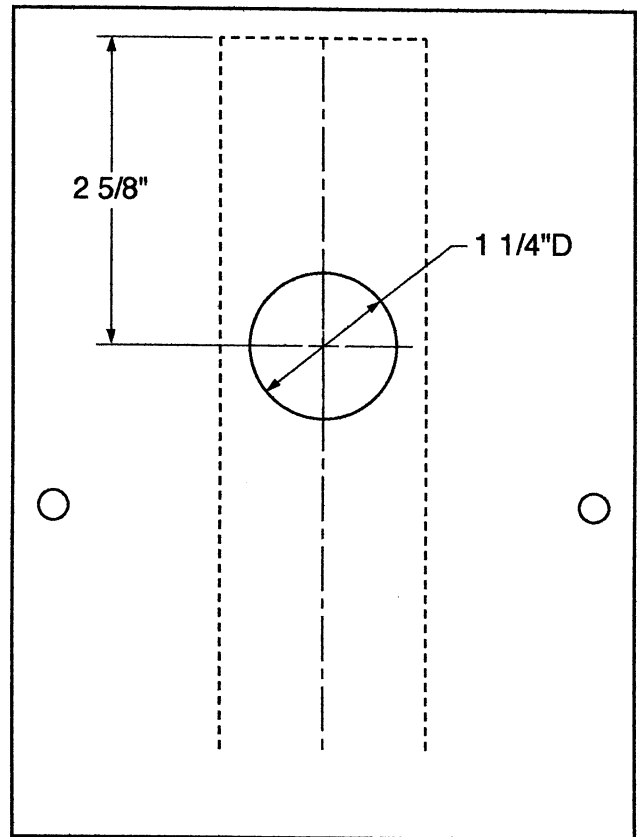
ROUTER: PLUNGE
GUIDE BUSHING: 13/16"
BIT: 1/2"

N-P-012 A



ROUTER: PLUNGE
GUIDE BUSHING: 13/16"
BIT: 1/2"

N-P-012 B



Do not scale drawings.

Actual cutting dimensions are shown. Template dimensions are adjusted for router Guide-Bit difference.

Compare these drawings to manufacturer's template drawings to confirm:

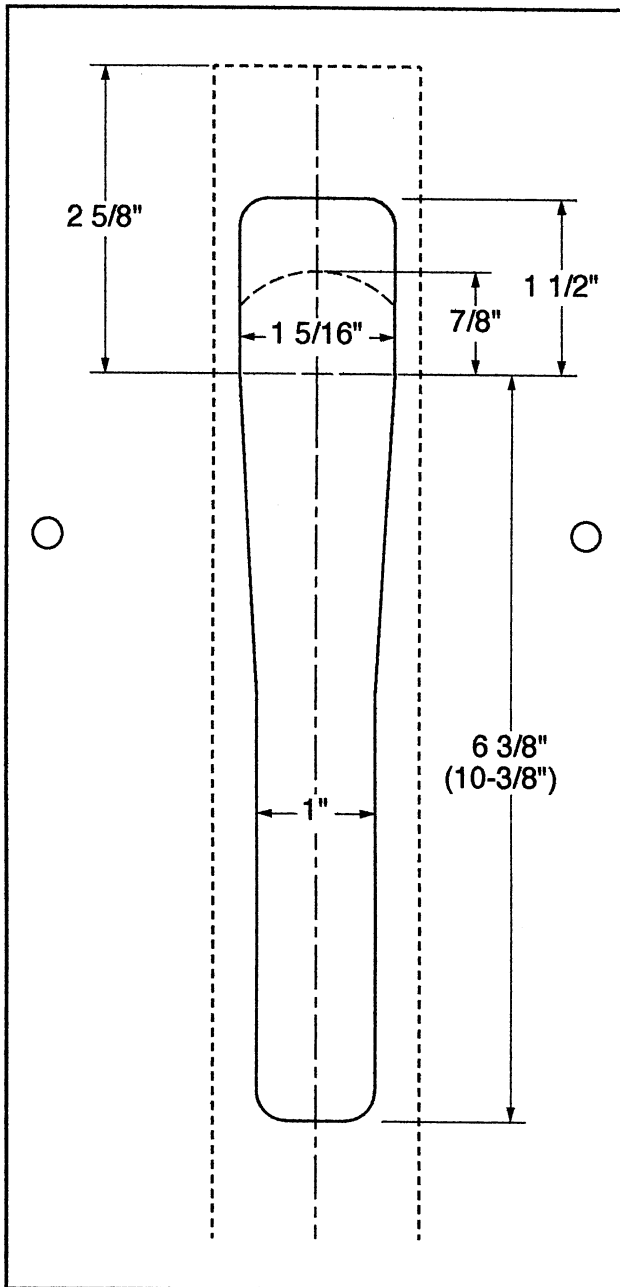
1. which portions of these templates apply;
2. relation of shown centerlines to those in manufacturer's template drawings or hardware;
3. correctness of dimensions.

7-14-95

PIVOTS

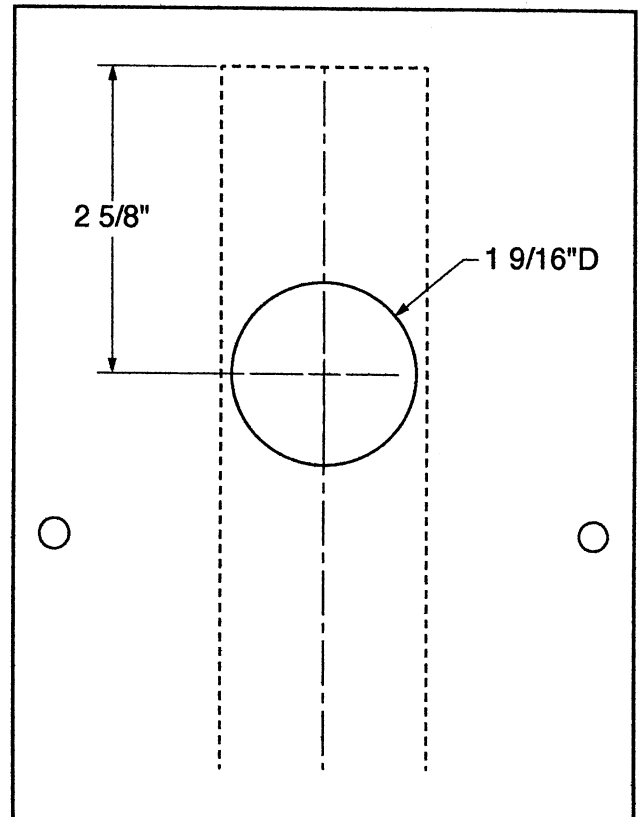
ROUTER: PLUNGE
GUIDE BUSHING: 13/16"
BIT: 1/2"

N-P-013 A



ROUTER: PLUNGE
GUIDE BUSHING: 13/16"
BIT: 1/2"

N-P-013 B



Slide base 4" to cut full length of 11-3/8"
(10-3/8" from pivot center).

Do not scale drawings.

Actual cutting dimensions are shown. Template dimensions are adjusted for router Guide-Bit difference.

Compare these drawings to manufacturer's template drawings to confirm:

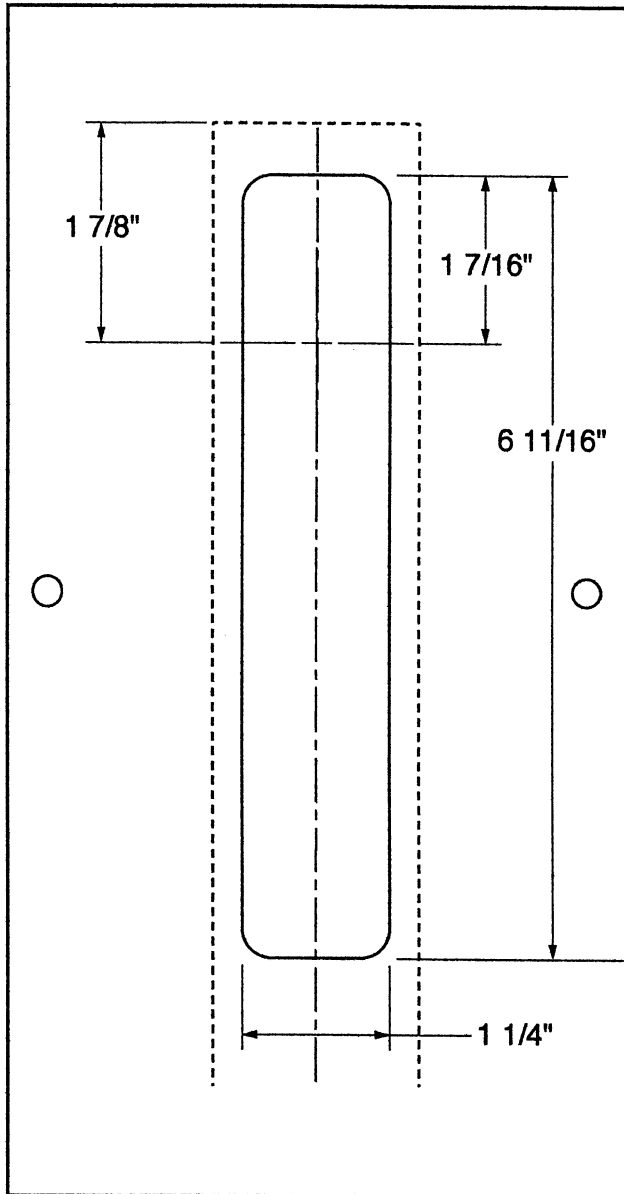
1. which portions of these templates apply;
2. relation of shown centerlines to those in manufacturer's template drawings or hardware;
3. correctness of dimensions.

7-14-95

PIVOTS

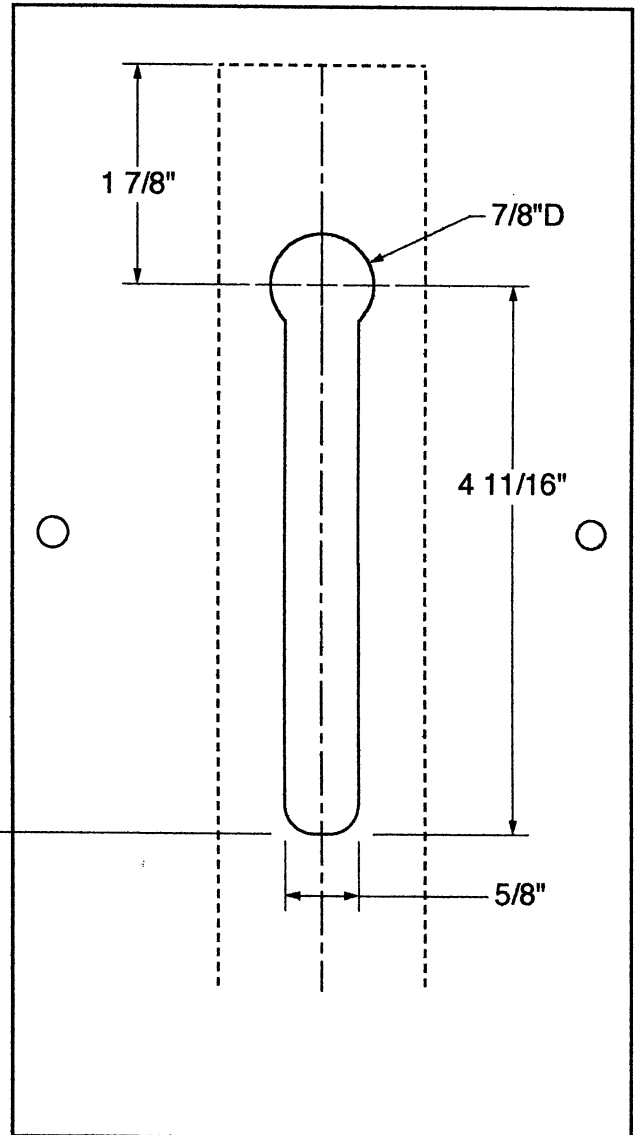
ROUTER: PLUNGE
GUIDE BUSHING: 13/16"
BIT: 1/2"

N-P-014 A



ROUTER: PLUNGE
GUIDE BUSHING: 13/16"
BIT: 1/2"

N-P-014 B



Do not scale drawings.

Actual cutting dimensions are shown. Template dimensions are adjusted for router Guide-Bit difference. Compare these drawings to manufacturer's template drawings to confirm:

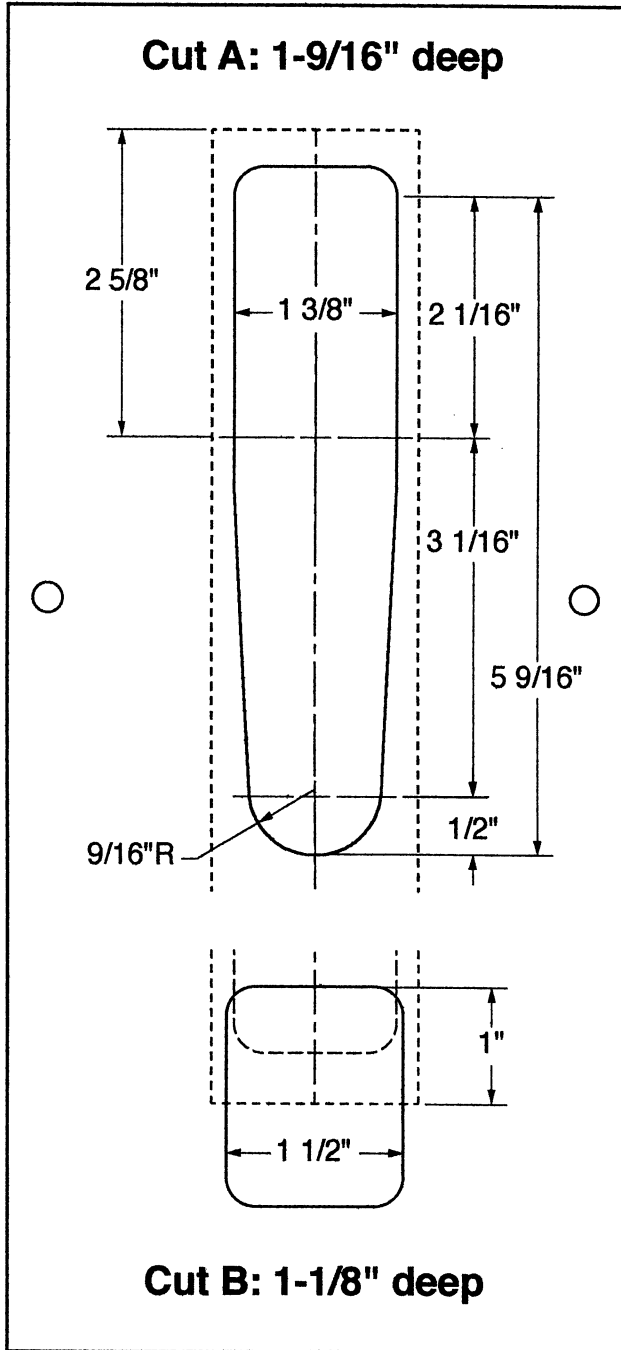
1. which portions of these templates apply;
2. relation of shown centerlines to those in manufacturer's template drawings or hardware;
3. correctness of dimensions.

7-14-95

PIVOTS

ROUTER: PLUNGE
GUIDE BUSHING: 13/16"
BIT: 1/2"

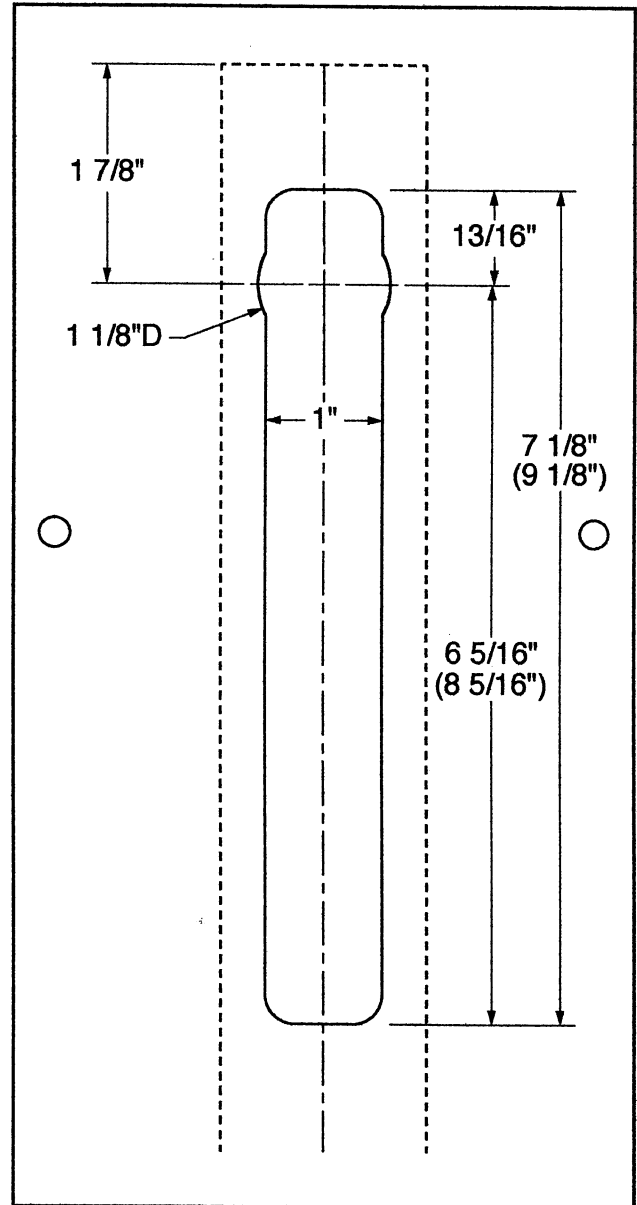
N-P-015



Turn template end for end to make cut B.

ROUTER: PLUNGE
GUIDE BUSHING: 13/16"
BIT: 1/2"

N-P-016



Slide base 2" to cut full length of 9 1/8".

Do not scale drawings.

Actual cutting dimensions are shown. Template dimensions are adjusted for router Guide-Bit difference. Compare these drawings to manufacturer's template drawings to confirm:

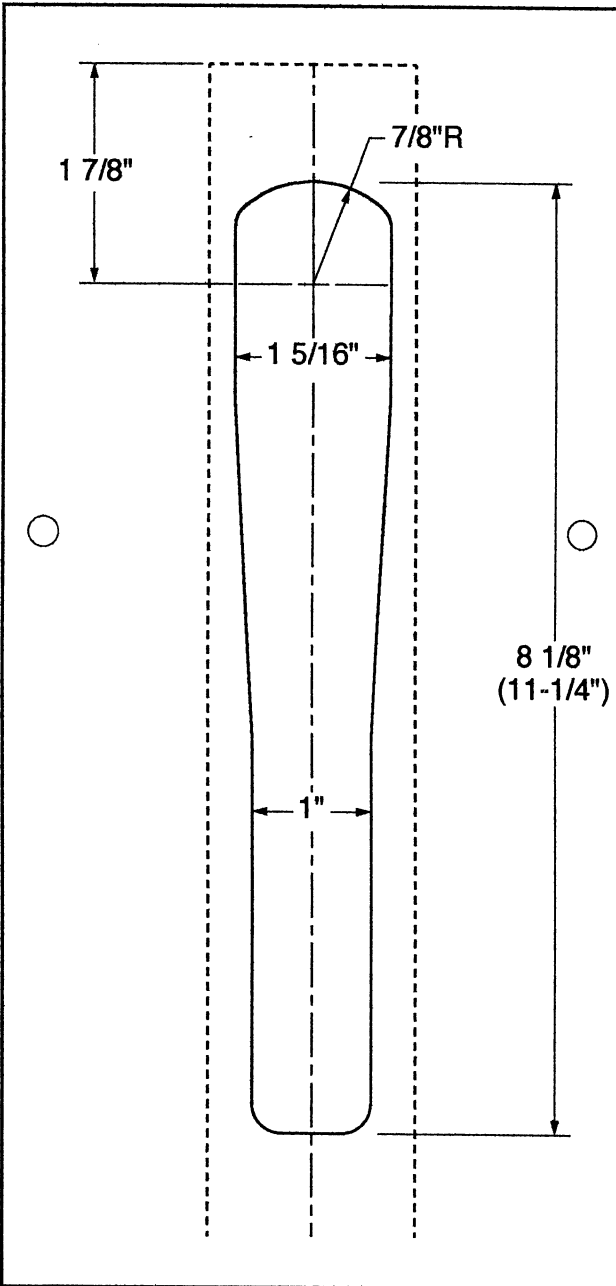
1. which portions of these templates apply;
2. relation of shown centerlines to those in manufacturer's template drawings or hardware;
3. correctness of dimensions.

7-14-95

PIVOTS

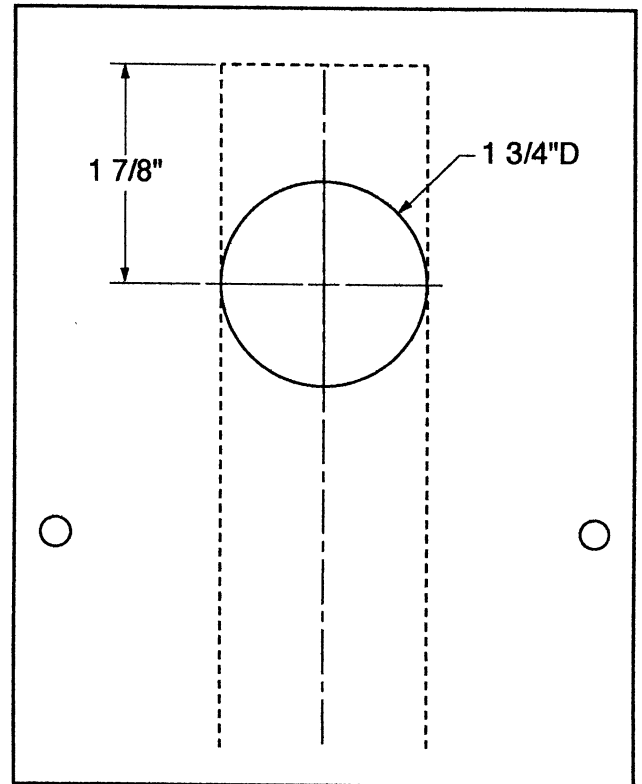
ROUTER: PLUNGE
GUIDE BUSHING: 13/16"
BIT: 1/2"

N-P-018 A



ROUTER: PLUNGE
GUIDE BUSHING: 13/16"
BIT: 1/2"

N-P-018 B



Slide base 3-1/8" to cut full length of 11-1/4".

Do not scale drawings.

Actual cutting dimensions are shown. Template dimensions are adjusted for router Guide-Bit difference. Compare these drawings to manufacturer's template drawings to confirm:

1. which portions of these templates apply;
2. relation of shown centerlines to those in manufacturer's template drawings or hardware;
3. correctness of dimensions.

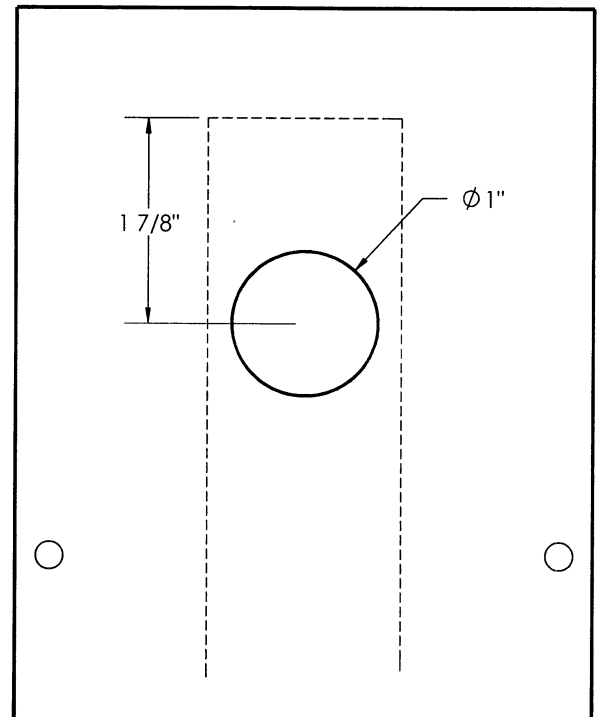
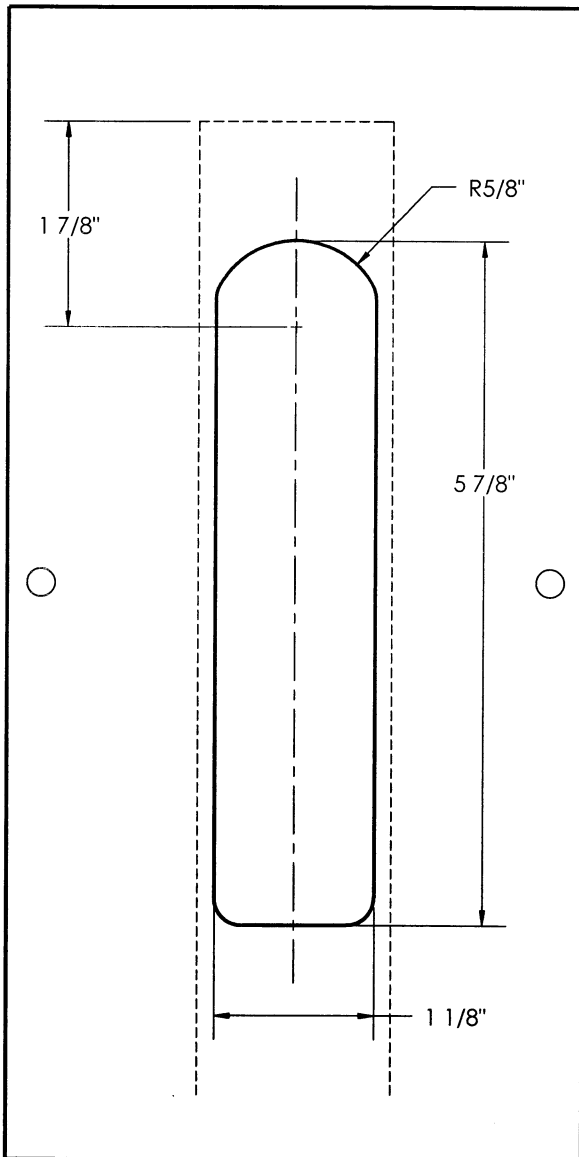
7-14-95

N-P 020 A

N-P 020 B

ROUTER: PLUNGE
GUIDE BUSHING: 13/16"
BIT: 1/2"

ROUTER: PLUNGE
GUIDE BUSHING: 13/16"
BIT: 1/2"



Do not scale drawings.
Actual cutting dimensions are shown. Template dimensions are adjusted for router Guide-Bit difference.
Compare these drawings to manufacturer's template drawings to confirm:

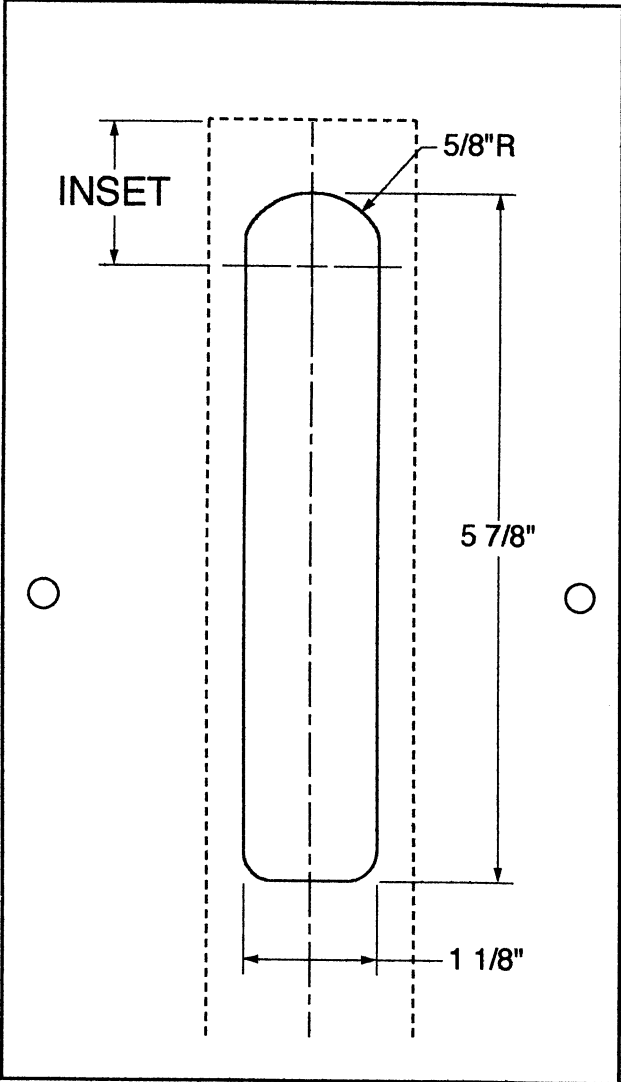
1. which portions of these templates apply;
2. relation of shown centerlines to those in manufacturer's template drawings or hardware;
3. correctness of dimensions.

6/13/03

PIVOTS

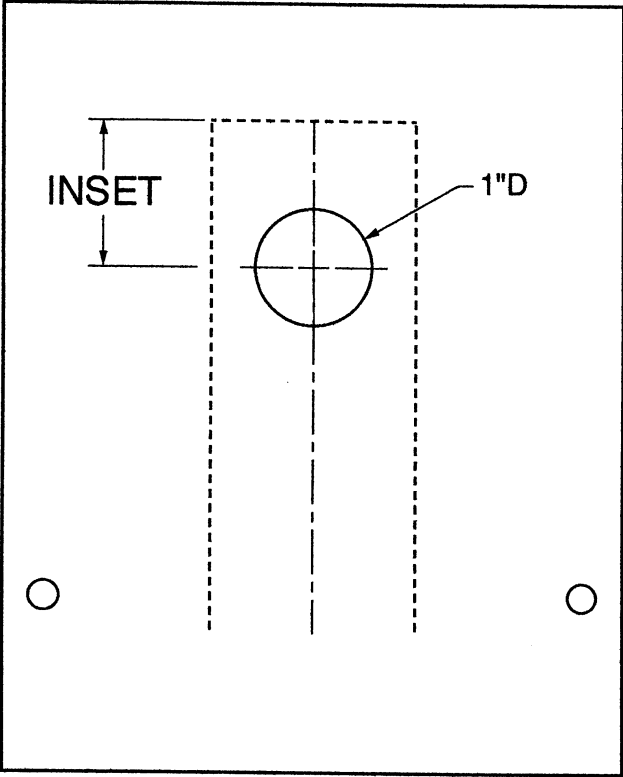
ROUTER: PLUNGE
GUIDE BUSHING: 13/16"
BIT: 1/2"

N-P-019 A
N-P-020 A
N-P-021 A



ROUTER: PLUNGE
GUIDE BUSHING: 13/16"
BIT: 1/2"

N-P-019 B
N-P-020 B
N-P-021 B



TEMPLATE SETS	INSET
N-P-019	1-1/4"
N-P-020	1-7/8"
N-P-021	2-5/8"

Do not scale drawings.
Actual cutting dimensions are shown. Template dimensions are adjusted for router Guide-Bit difference.
Compare these drawings to manufacturer's template drawings to confirm:

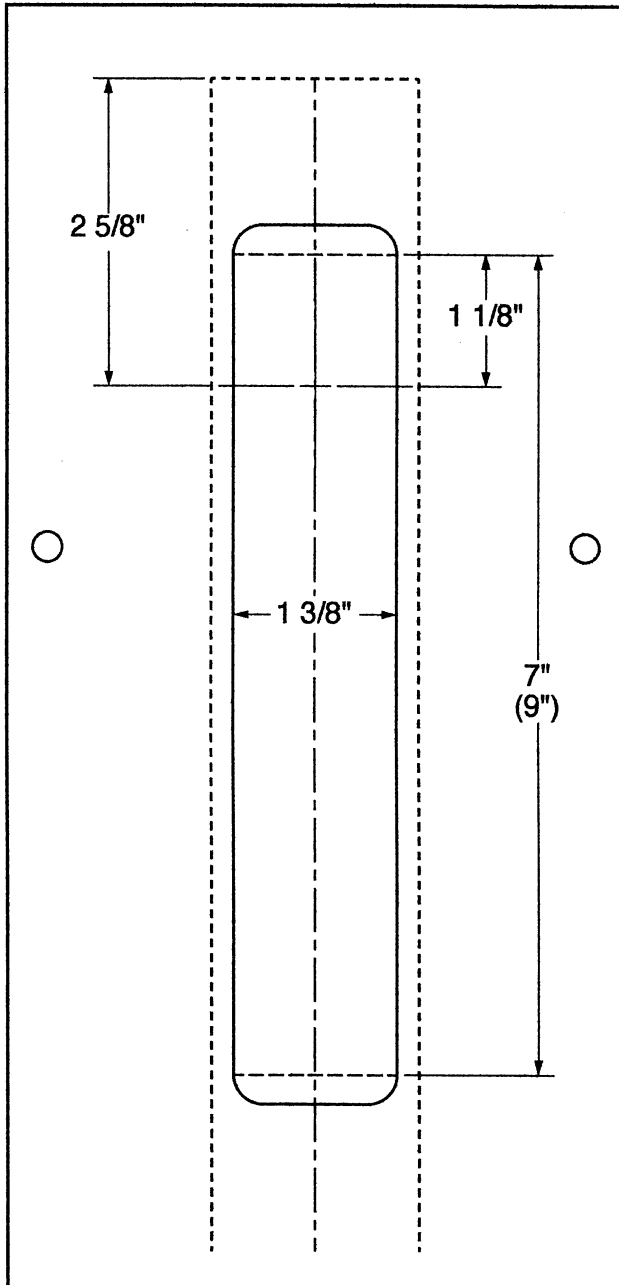
1. which portions of these templates apply;
2. relation of shown centerlines to those in manufacturer's template drawings or hardware;
3. correctness of dimensions.

7-14-95

PIVOTS

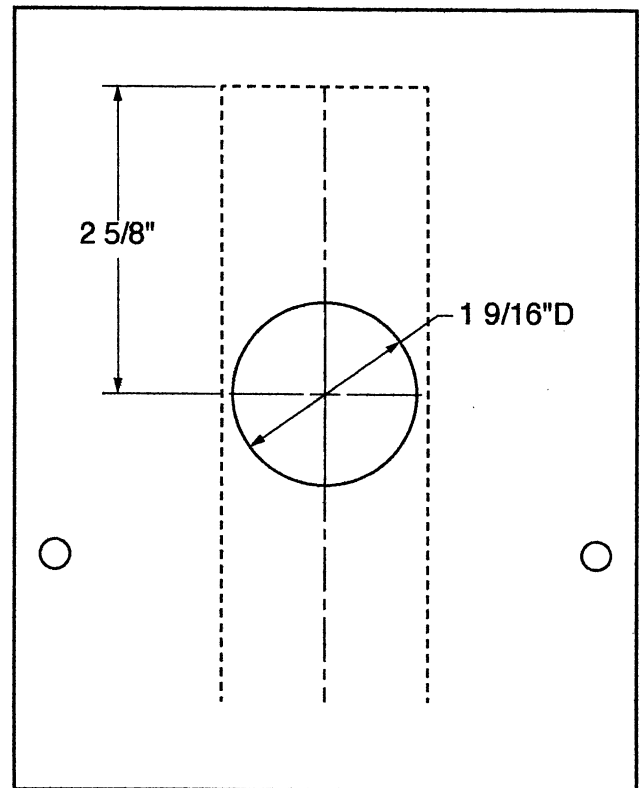
ROUTER: PLUNGE
GUIDE BUSHING: 13/16"
BIT: 1/2"

N-P-022 A



ROUTER: PLUNGE
GUIDE BUSHING: 13/16"
BIT: 1/2"

N-P-022 B



Slide base 2" in order to cut full length of 9".

Do not scale drawings.

Actual cutting dimensions are shown. Template dimensions are adjusted for router Guide-Bit difference. Compare these drawings to manufacturer's template drawings to confirm:

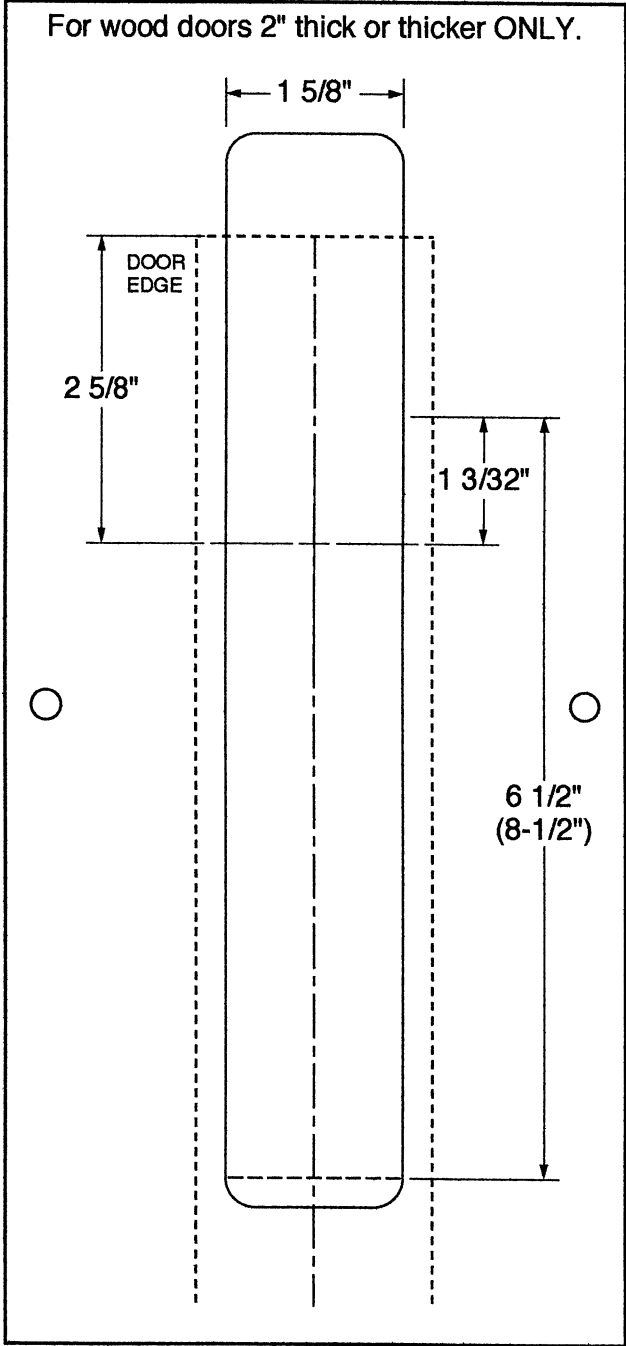
1. which portions of these templates apply;
2. relation of shown centerlines to those in manufacturer's template drawings or hardware;
3. correctness of dimensions.

7-14-95

PIVOTS

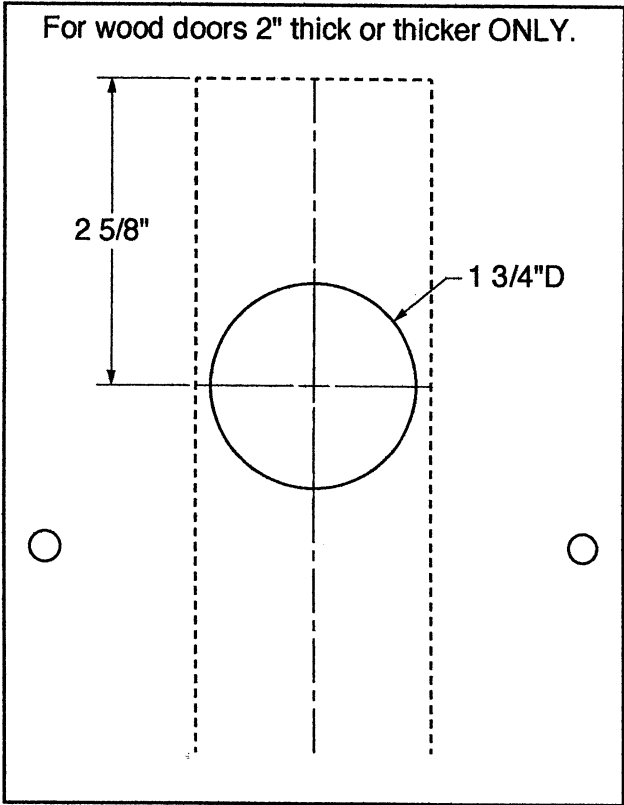
ROUTER: PLUNGE
GUIDE BUSHING: 13/16"
BIT: 1/2"

N-P-023 A



ROUTER: PLUNGE
GUIDE BUSHING: 13/16"
BIT: 1/2"

N-P-023 B



Slide Template 2" to route full 8-1/2" length of the hardware.

Do not scale drawings.

Actual cutting dimensions are shown. Template dimensions are adjusted for router Guide-Bit difference. Compare these drawings to manufacturer's template drawings to confirm:

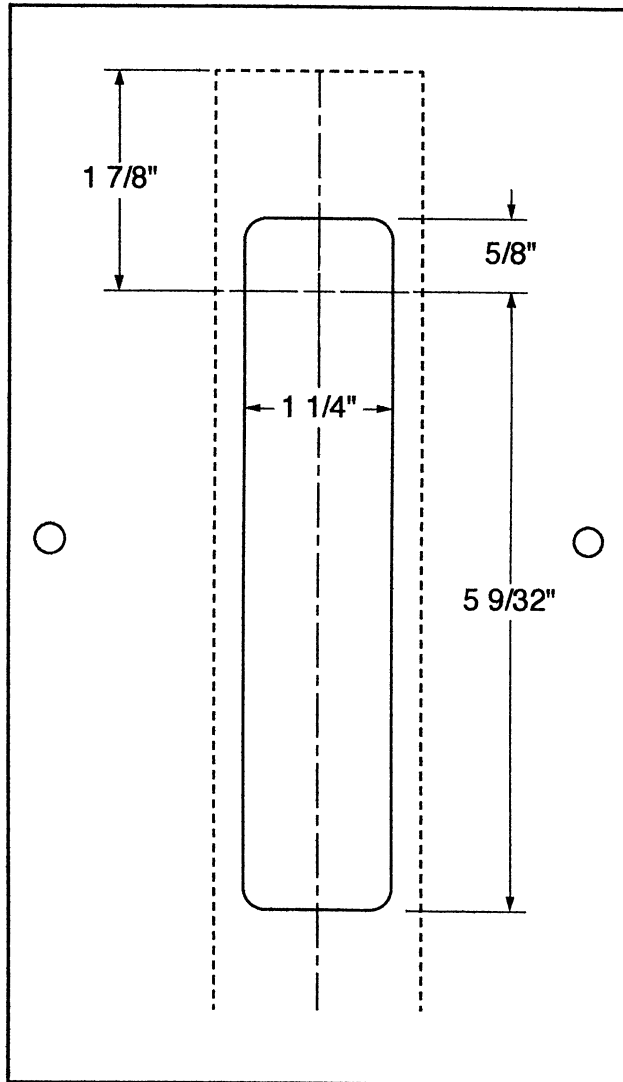
1. which portions of these templates apply;
2. relation of shown centerlines to those in manufacturer's template drawings or hardware;
3. correctness of dimensions.

7-14-95

PIVOTS

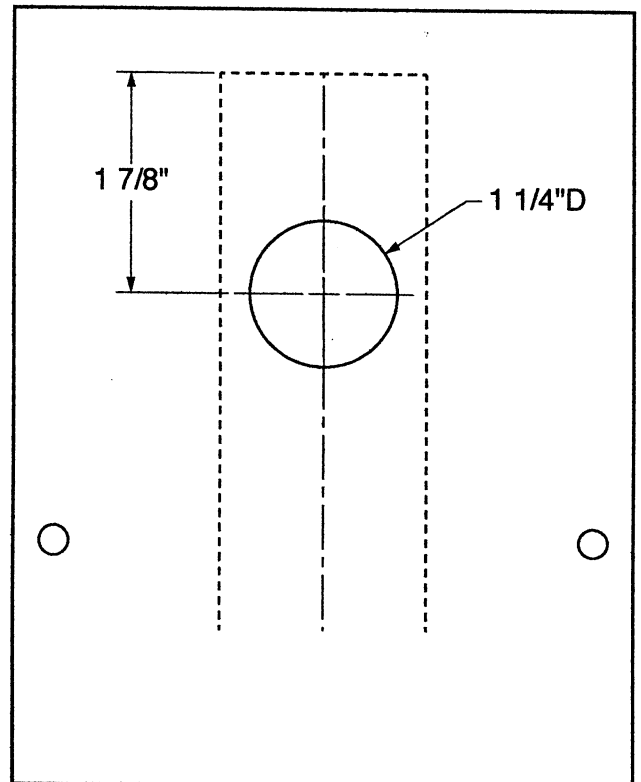
ROUTER: PLUNGE
GUIDE BUSHING: 13/16"
BIT: 1/2"

N-P-024 A



ROUTER: PLUNGE
GUIDE BUSHING: 13/16"
BIT: 1/2"

N-P-024 B



Do not scale drawings.

Actual cutting dimensions are shown. Template dimensions are adjusted for router Guide-Bit difference.

Compare these drawings to manufacturer's template drawings to confirm:

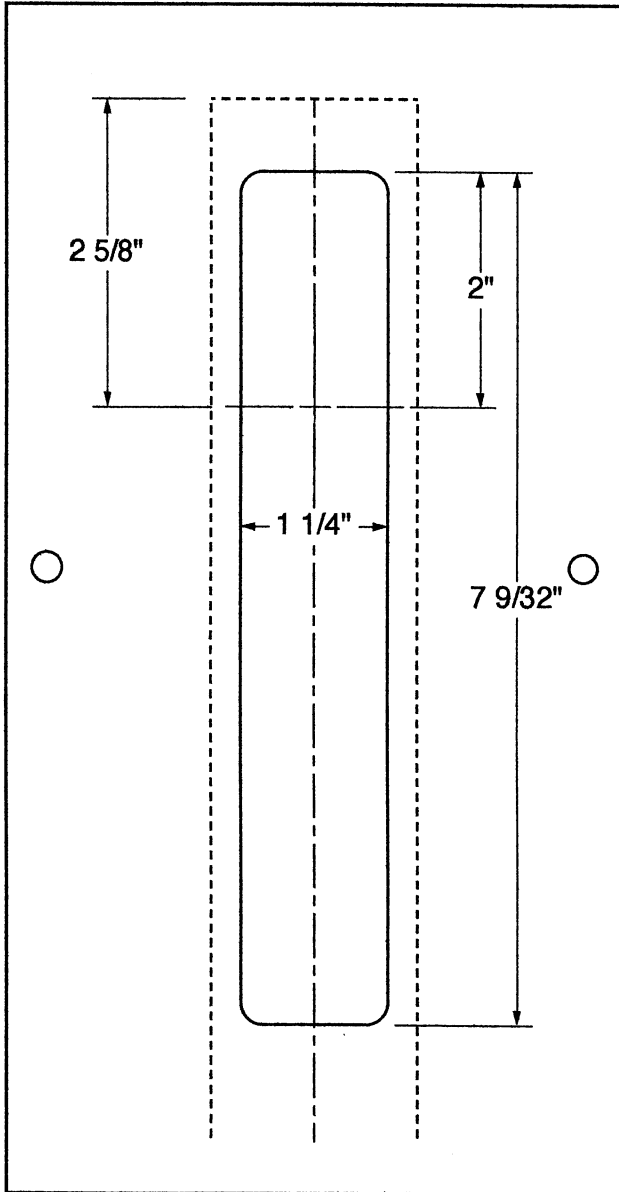
1. which portions of these templates apply;
2. relation of shown centerlines to those in manufacturer's template drawings or hardware;
3. correctness of dimensions.

7-14-95

PIVOTS

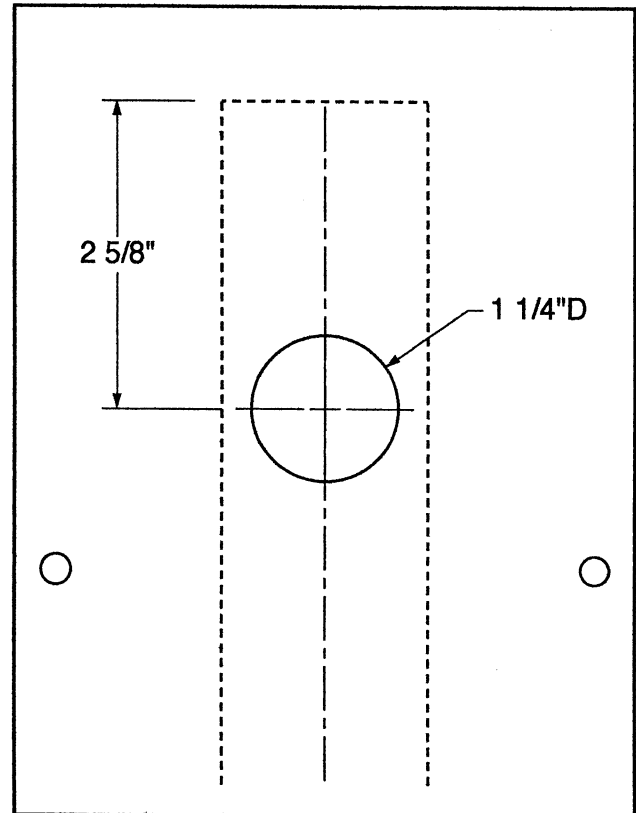
ROUTER: PLUNGE
GUIDE BUSHING: 13/16"
BIT: 1/2"

N-P-025 A



ROUTER: PLUNGE
GUIDE BUSHING: 13/16"
BIT: 1/2"

N-P-025 B



Do not scale drawings.

Actual cutting dimensions are shown. Template dimensions are adjusted for router Guide-Bit difference.

Compare these drawings to manufacturer's template drawings to confirm:

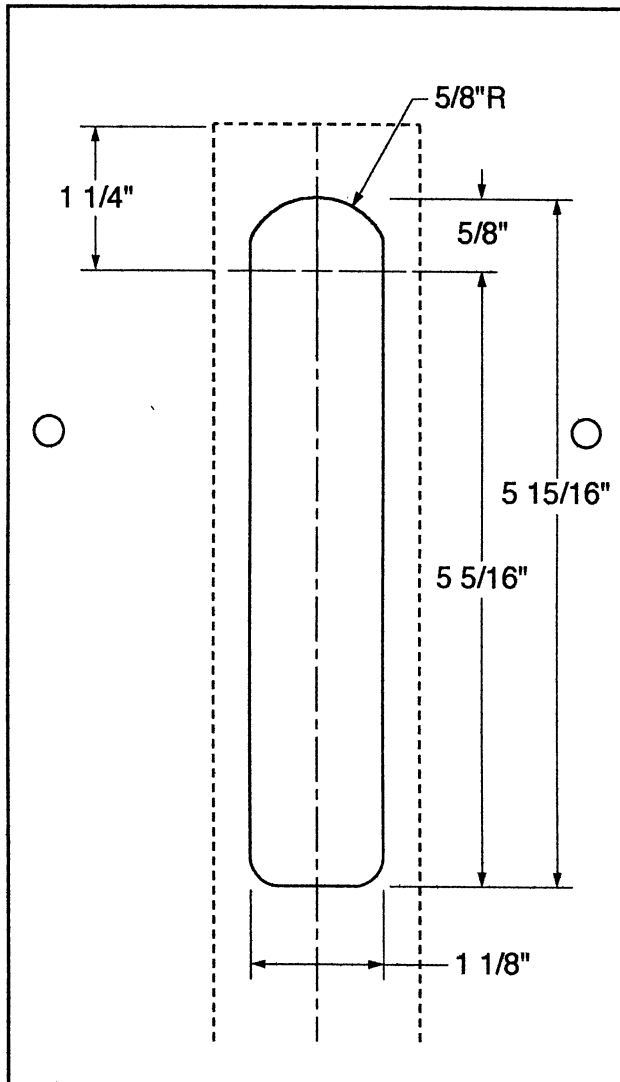
1. which portions of these templates apply;
2. relation of shown centerlines to those in manufacturer's template drawings or hardware;
3. correctness of dimensions.

7-14-95

PIVOTS

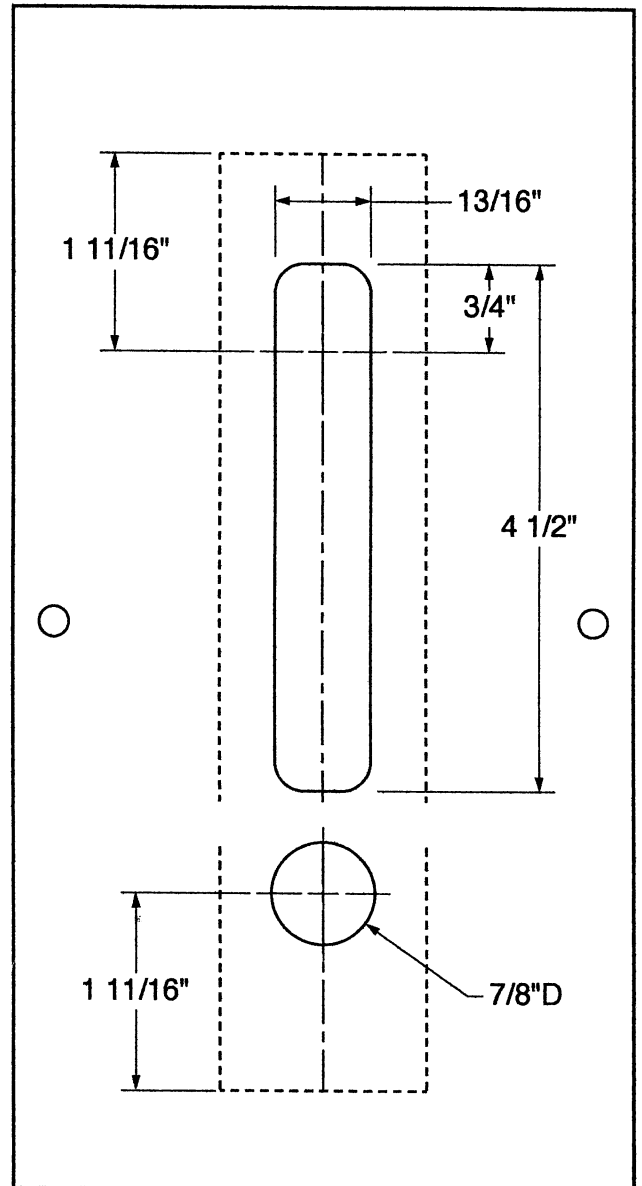
ROUTER: PLUNGE
GUIDE BUSHING: 13/16"
BIT: 1/2"

N-P-027



ROUTER: PLUNGE
GUIDE BUSHING: 13/16"
BIT: 1/2"

N-P-028



Switch template end for end to route hole

Do not scale drawings.

Actual cutting dimensions are shown. Template dimensions are adjusted for router Guide-Bit difference. Compare these drawings to manufacturer's template drawings to confirm:

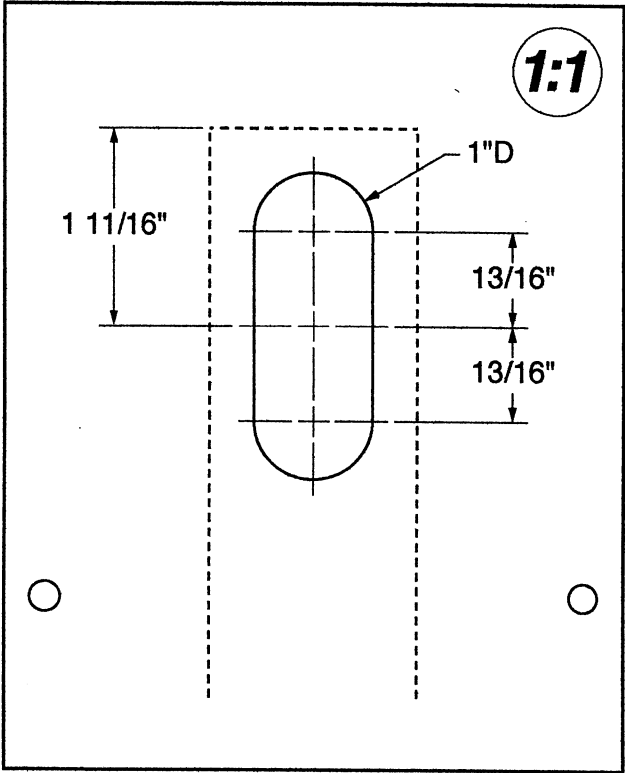
1. which portions of these templates apply;
2. relation of shown centerlines to those in manufacturer's template drawings or hardware;
3. correctness of dimensions.

7-14-95

PIVOTS

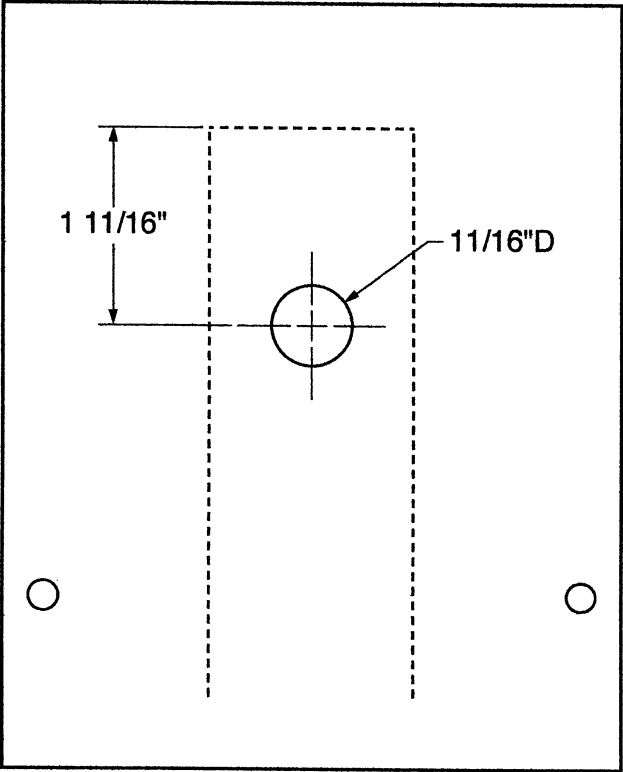
ROUTER: 1:1
DEPTH: 1/8"

N-P-029 A



ROUTER: PLUNGE
GUIDE BUSHING: 13/16"
BIT: 1/2"

N-P-029 B



Do not scale drawings.

Actual cutting dimensions are shown. Template dimensions are adjusted for router Guide-Bit difference.

Compare these drawings to manufacturer's template drawings to confirm:

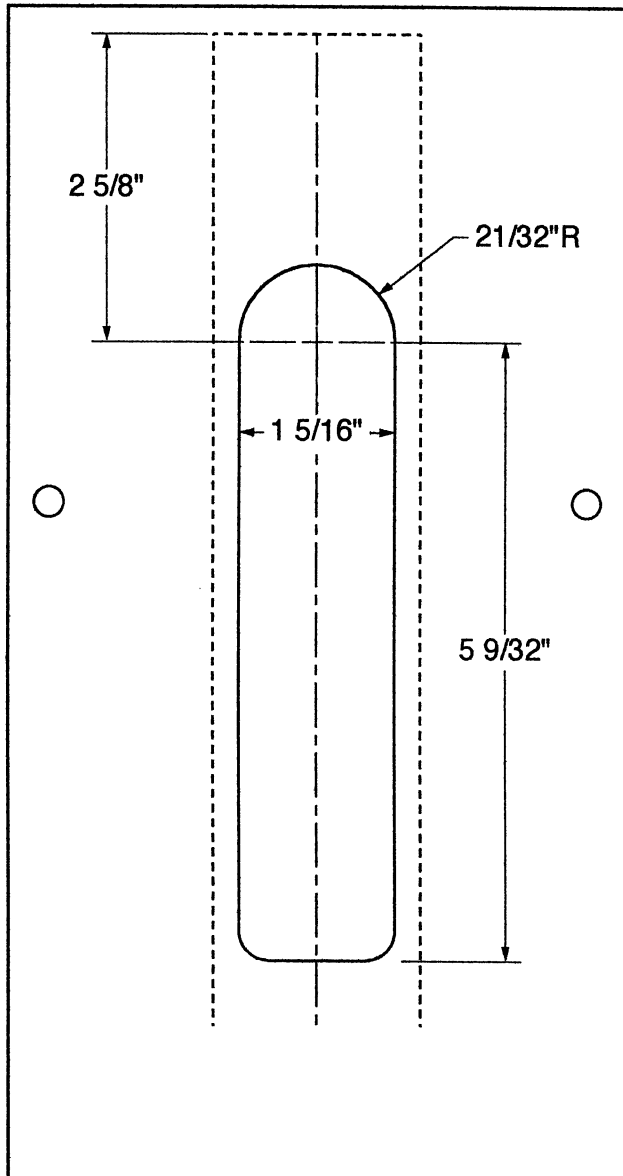
1. which portions of these templates apply;
2. relation of shown centerlines to those in manufacturer's template drawings or hardware;
3. correctness of dimensions.

7-14-95

PIVOTS

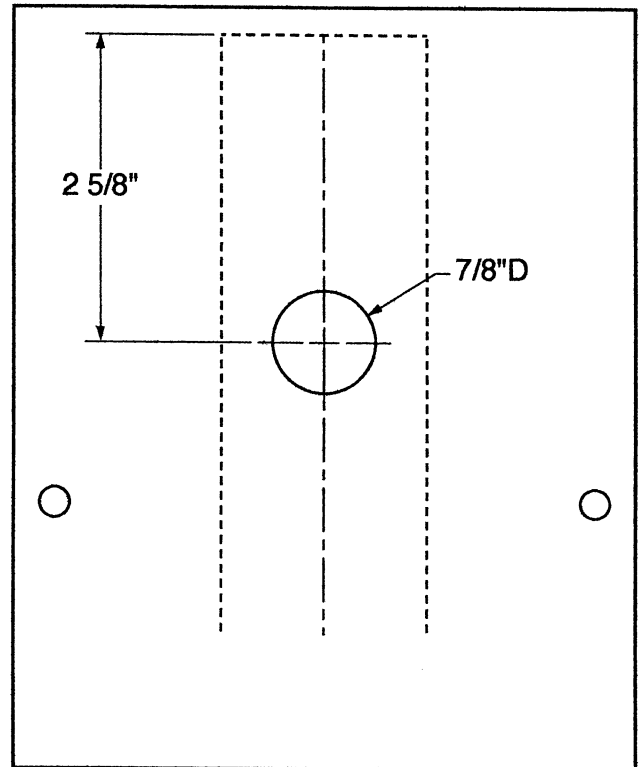
ROUTER: PLUNGE
GUIDE BUSHING: 13/16"
BIT: 1/2"

N-P-030 A



ROUTER: PLUNGE
GUIDE BUSHING: 13/16"
BIT: 1/2"

N-P-030 B



Do not scale drawings.

Actual cutting dimensions are shown. Template dimensions are adjusted for router Guide-Bit difference.

Compare these drawings to manufacturer's template drawings to confirm:

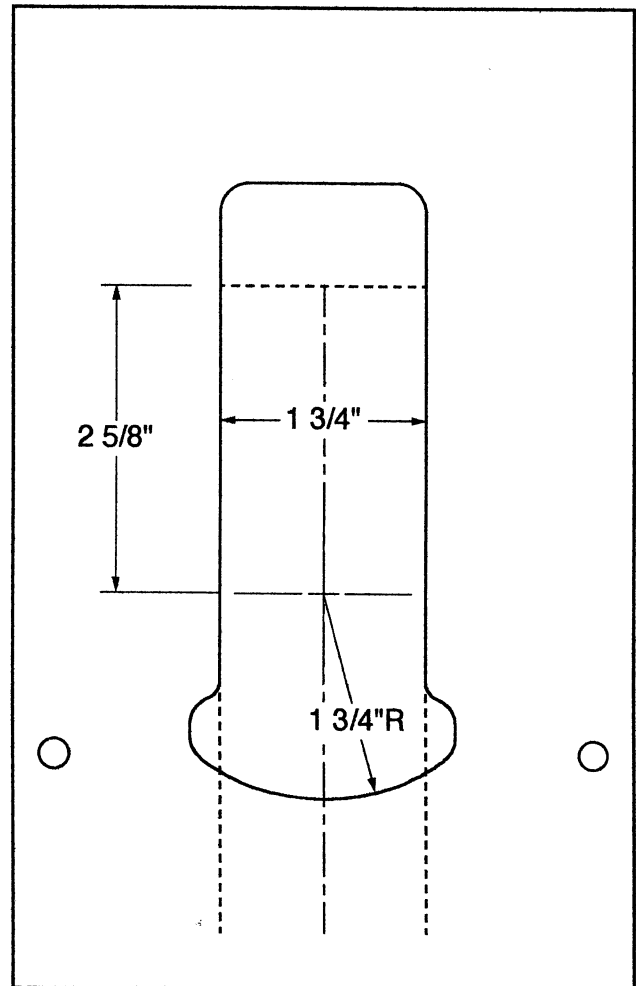
1. which portions of these templates apply;
2. relation of shown centerlines to those in manufacturer's template drawings or hardware;
3. correctness of dimensions.

7-14-95

PIVOTS

ROUTER: PLUNGE
GUIDE BUSHING: 13/16"
BIT: 1/2"

N-P-031



CAUTION: Remove edge support tabs and centerline when routing.

Do not scale drawings.

Actual cutting dimensions are shown. Template dimensions are adjusted for router Guide-Bit difference.

Compare these drawings to manufacturer's template drawings to confirm:

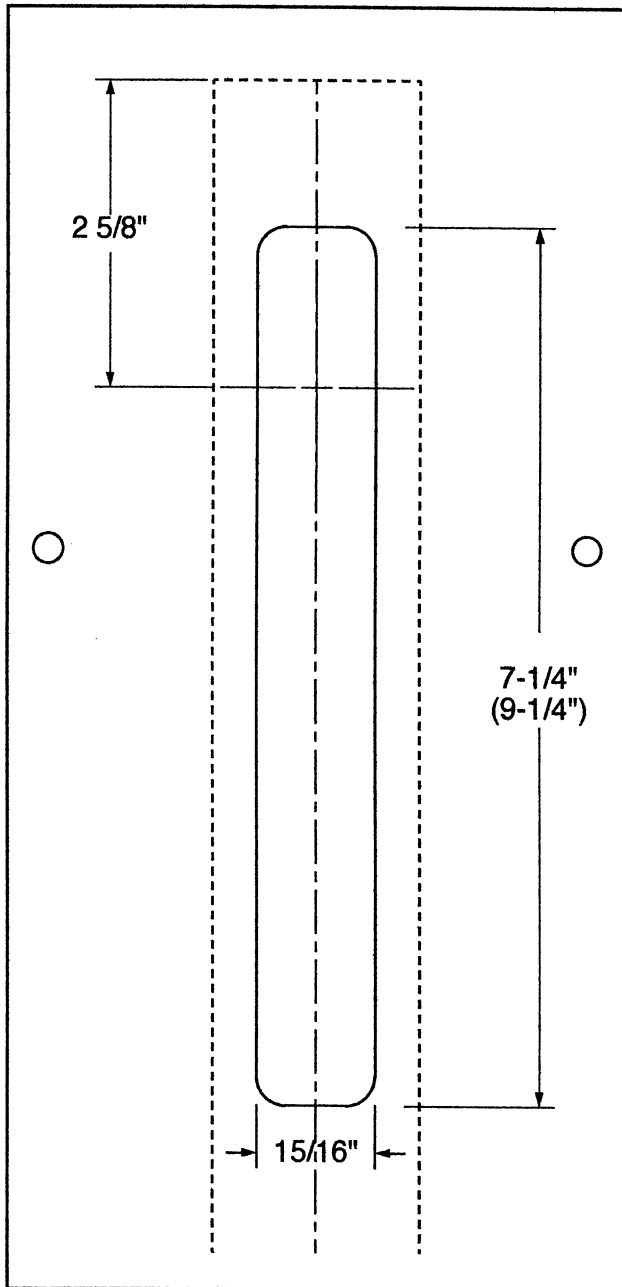
1. which portions of these templates apply;
2. relation of shown centerlines to those in manufacturer's template drawings or hardware;
3. correctness of dimensions.

7-14-95

PIVOTS

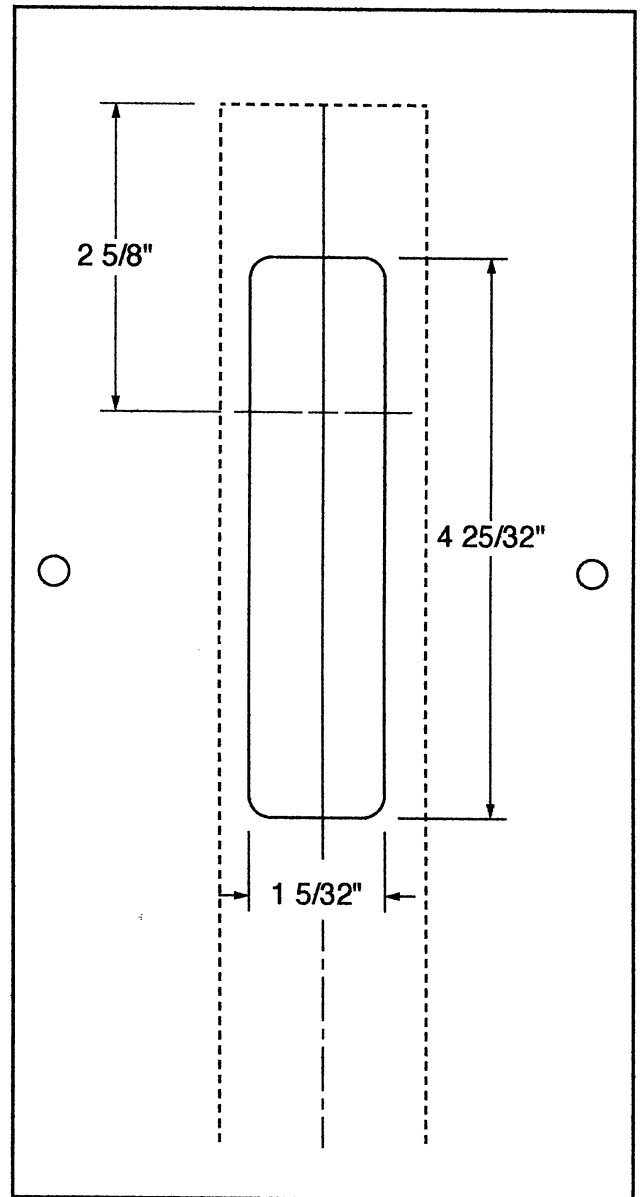
ROUTER: PLUNGE
GUIDE BUSHING: 13/16"
BIT: 1/2"

N-P-043



ROUTER: PLUNGE
GUIDE BUSHING: 13/16"
BIT: 1/2"

N-P-045



Slide base 2" in order to cut full length of 9-1/4".

Do not scale drawings.

Actual cutting dimensions are shown. Template dimensions are adjusted for router Guide-Bit difference.

Compare these drawings to manufacturer's template drawings to confirm:

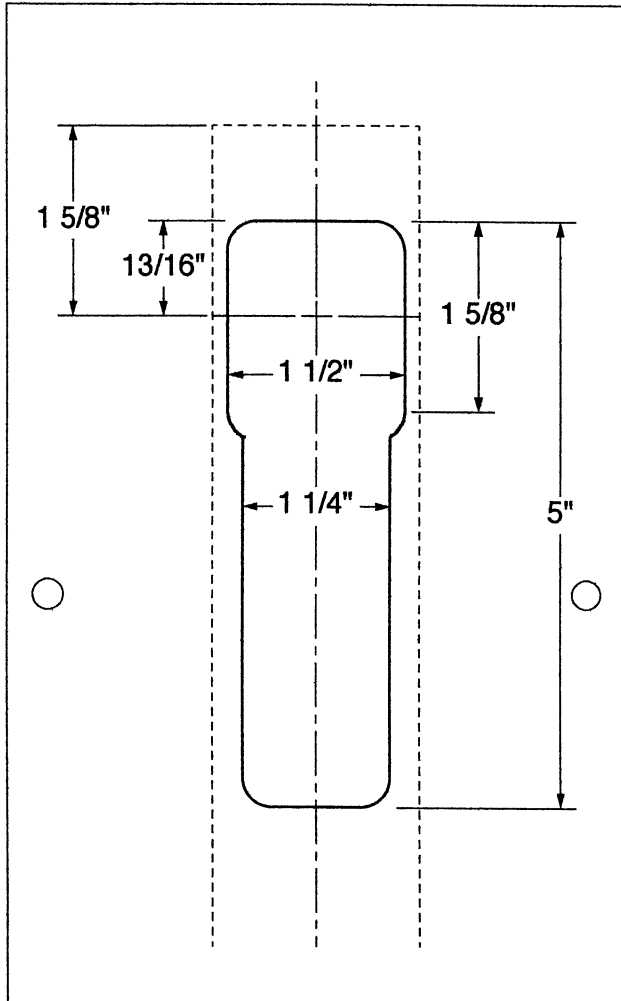
1. which portions of these templates apply;
2. relation of shown centerlines to those in manufacturer's template drawings or hardware;
3. correctness of dimensions.

5-6-96

PIVOTS

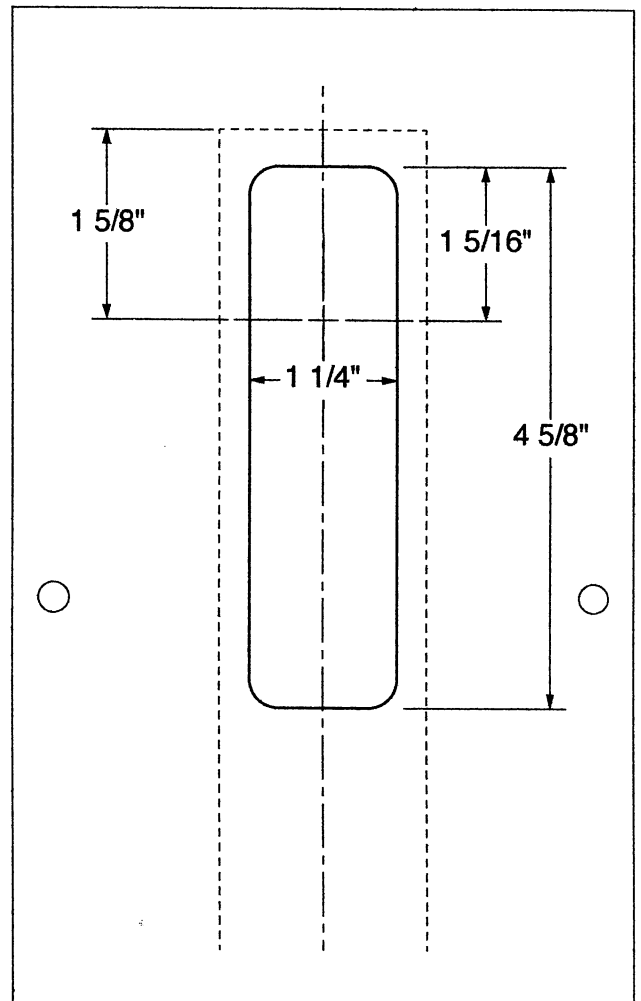
ROUTER: PLUNGE
GUIDE BUSHING: 13/16"
BIT: 1/2"

N-P-050



ROUTER: PLUNGE
GUIDE BUSHING: 13/16"
BIT: 1/2"

N-P-051



Do not scale drawings.

Actual cutting dimensions are shown. Template dimensions are adjusted for router Guide-Bit difference. Compare these drawings to manufacturer's template drawings to confirm:

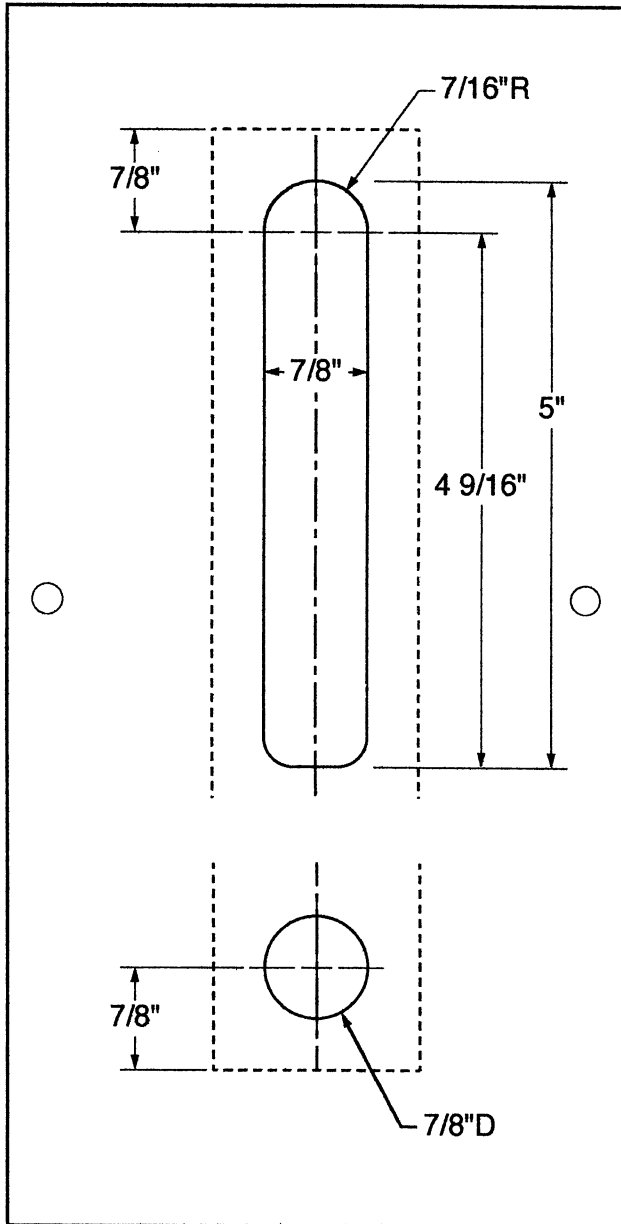
1. which portions of these templates apply;
2. relation of shown centerlines to those in manufacturer's template drawings or hardware;
3. correctness of dimensions.

7-14-95

PIVOTS

ROUTER: PLUNGE
GUIDE BUSHING: 13/16"
BIT: 1/2"

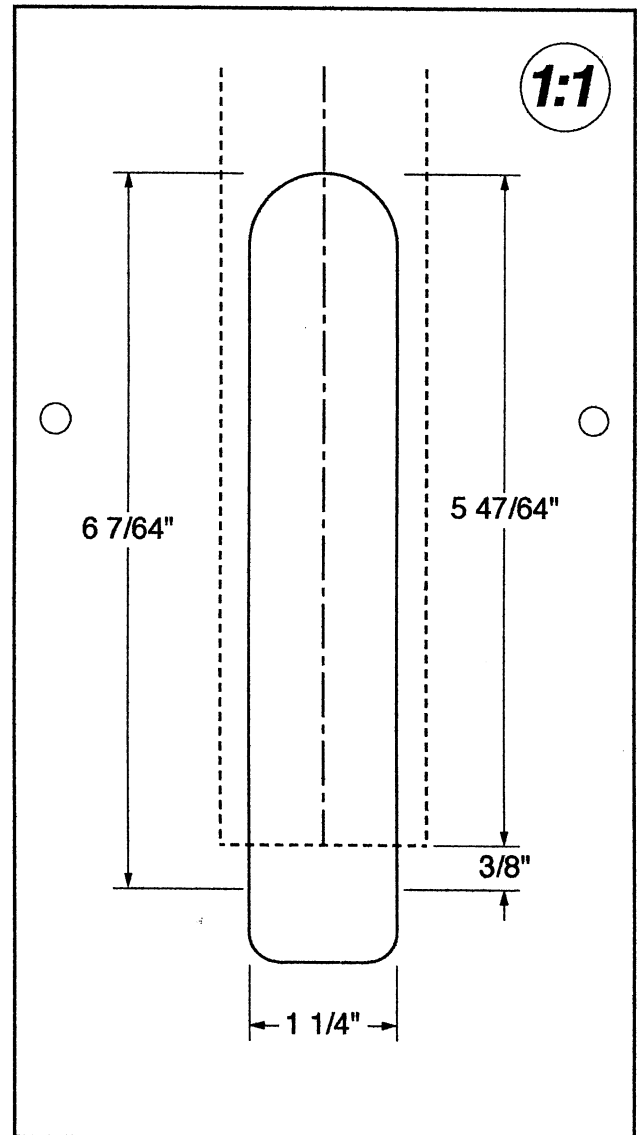
N-P-056



Switch template end for end to route hole

ROUTER: 1;1
DEPTH: 3/16

N-P-061



Do not scale drawings.

Actual cutting dimensions are shown. Template dimensions are adjusted for router Guide-Bit difference. Compare these drawings to manufacturer's template drawings to confirm:

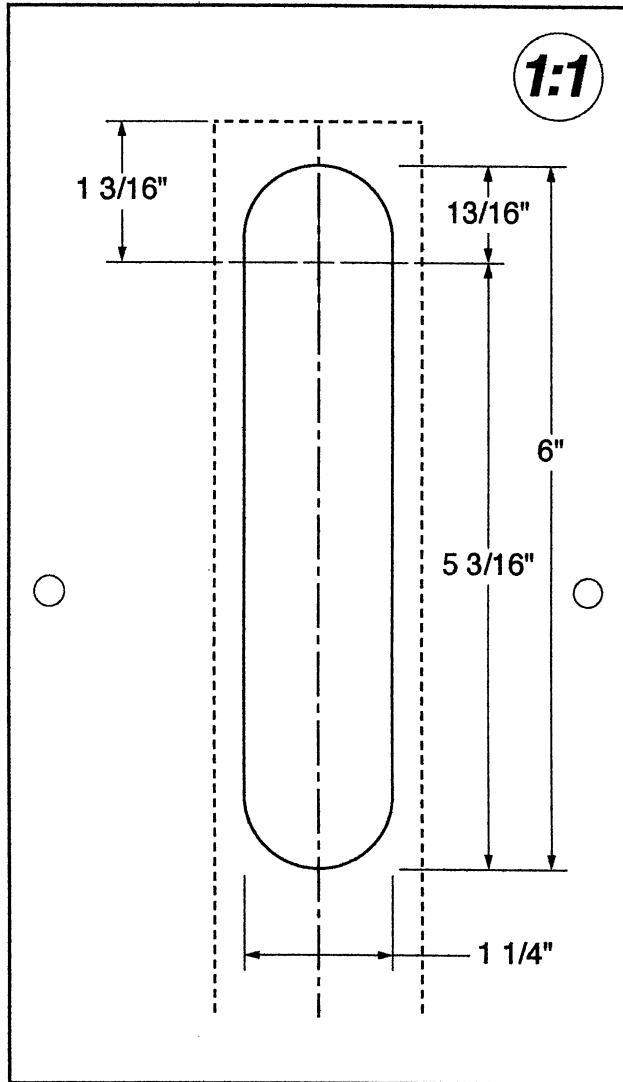
1. which portions of these templates apply;
2. relation of shown centerlines to those in manufacturer's template drawings or hardware;
3. correctness of dimensions.

7-14-95

PIVOTS

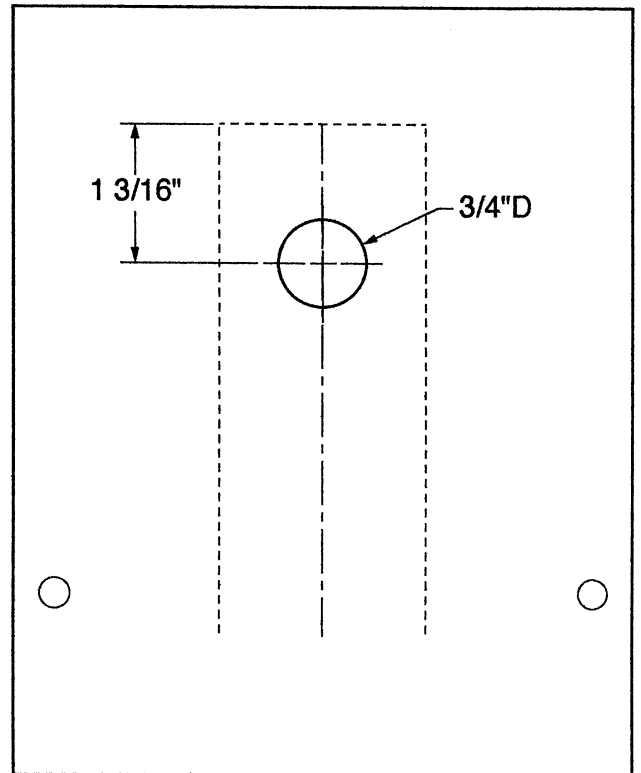
ROUTER: 1:1
DEPTH: 3/16"

N-P-062 A



ROUTER: PLUNGE
GUIDE BUSHING: $\frac{13}{16}$ "
BIT: $\frac{1}{2}$ "

N-P-062 B



Do not scale drawings.

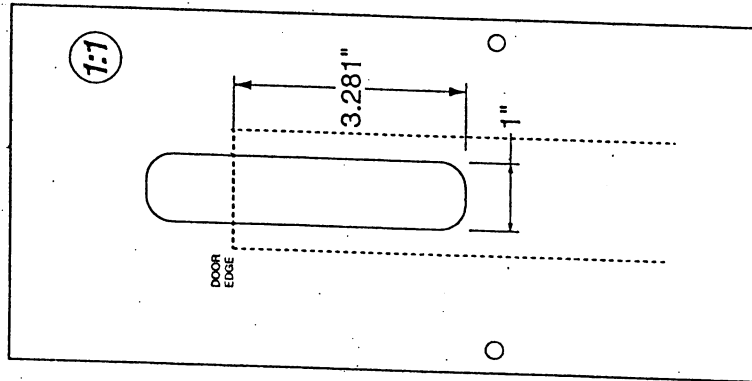
Actual cutting dimensions are shown. Template dimensions are adjusted for router Guide-Bit difference. Compare these drawings to manufacturer's template drawings to confirm:

1. which portions of these templates apply;
2. relation of shown centerlines to those in manufacturer's template drawings or hardware;
3. correctness of dimensions.

7-14-95

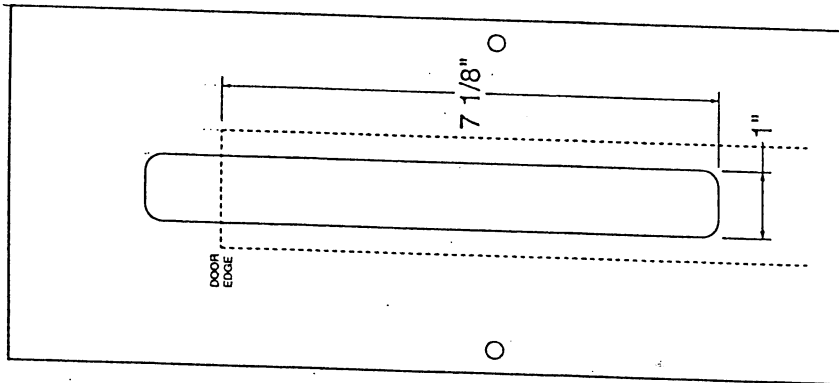
N-P 064 E

ROUTER: 1:1
 GUIDE BUSHING: 3/4"
 BIT: 3/4"
 DEPTH: 5/32"



N-P 064B

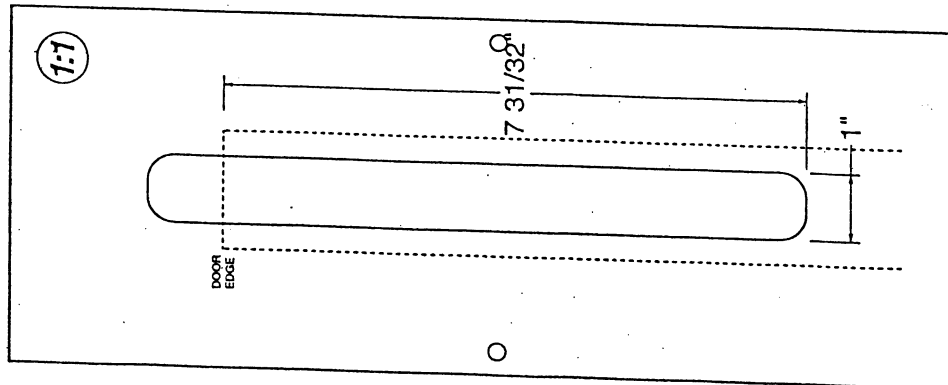
ROUTER: PLUNGE
 GUIDE BUSHING: 13/16"
 BIT: 1/2"
 DEPTH: 1-7/16"



Slide base 1-1/2" for full length of cut (8-5/8")

N-P 064A

ROUTER: 1:1
 GUIDE BUSHING: 3/4"
 BIT: 3/4"
 DEPTH: 5/32"

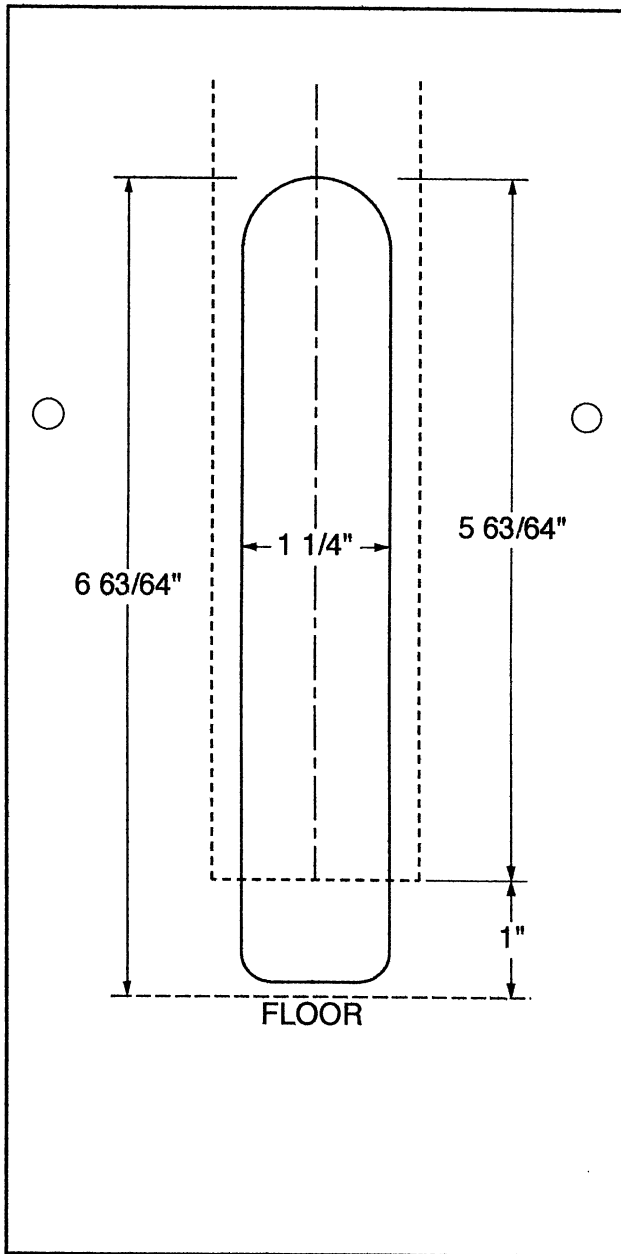


Slide base 1-1/2" for full length of cut (9-15/32")

PIVOTS

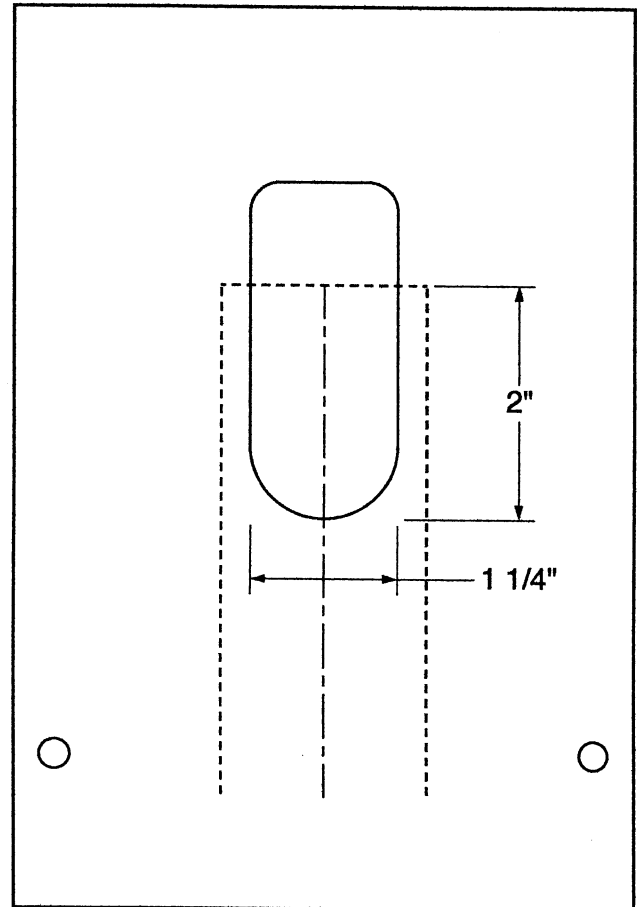
ROUTER: PLUNGE
GUIDE BUSHING: 13/16"
BIT: 1/2"

N-P-063 A



ROUTER: PLUNGE
GUIDE BUSHING: 13/16"
BIT: 1/2"

N-P-063 B



Do not scale drawings.

Actual cutting dimensions are shown. Template dimensions are adjusted for router Guide-Bit difference.

Compare these drawings to manufacturer's template drawings to confirm:

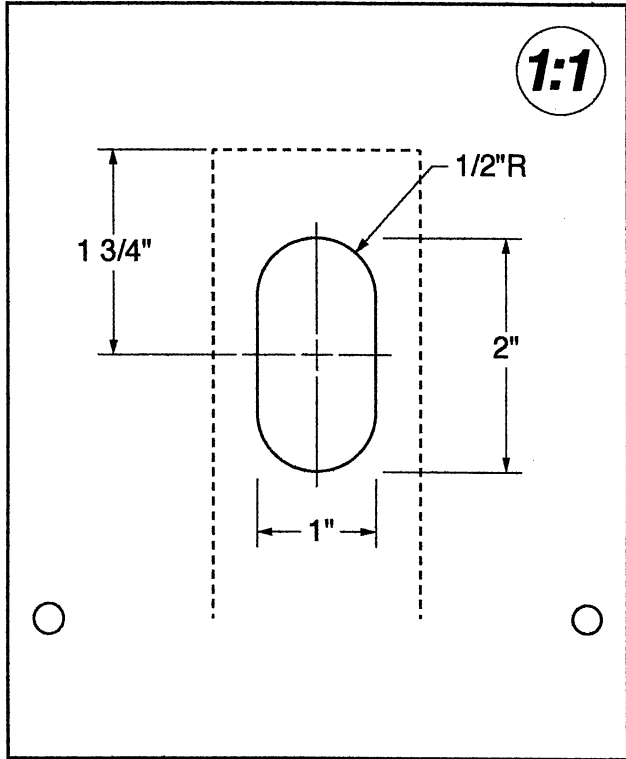
1. which portions of these templates apply;
2. relation of shown centerlines to those in manufacturer's template drawings or hardware;
3. correctness of dimensions.

7-14-95

PIVOTS

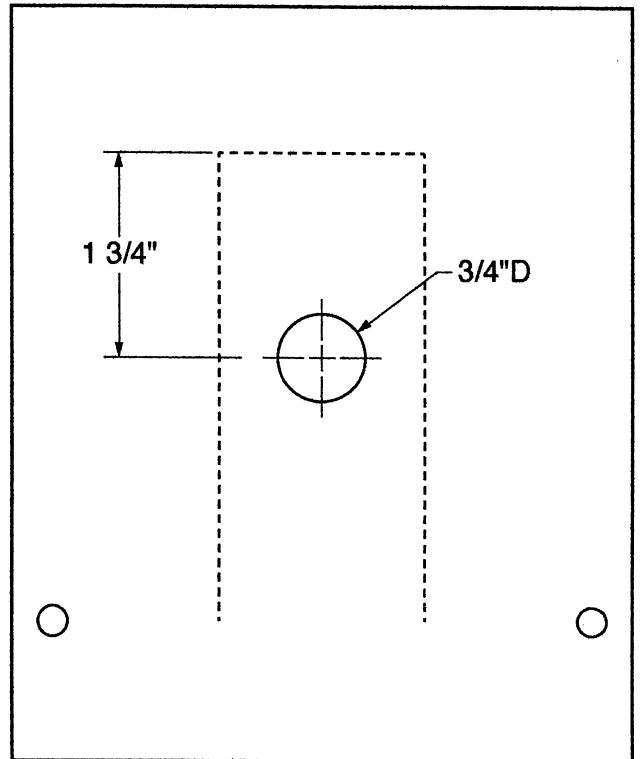
ROUTER: 1:1
DEPTH: 1/8"

N-P-071 A



ROUTER: PLUNGE
GUIDE BUSHING: 13/16"
BIT: 1/2"

N-P-071 B



Do not scale drawings.

Actual cutting dimensions are shown. Template dimensions are adjusted for router Guide-Bit difference. Compare these drawings to manufacturer's template drawings to confirm:

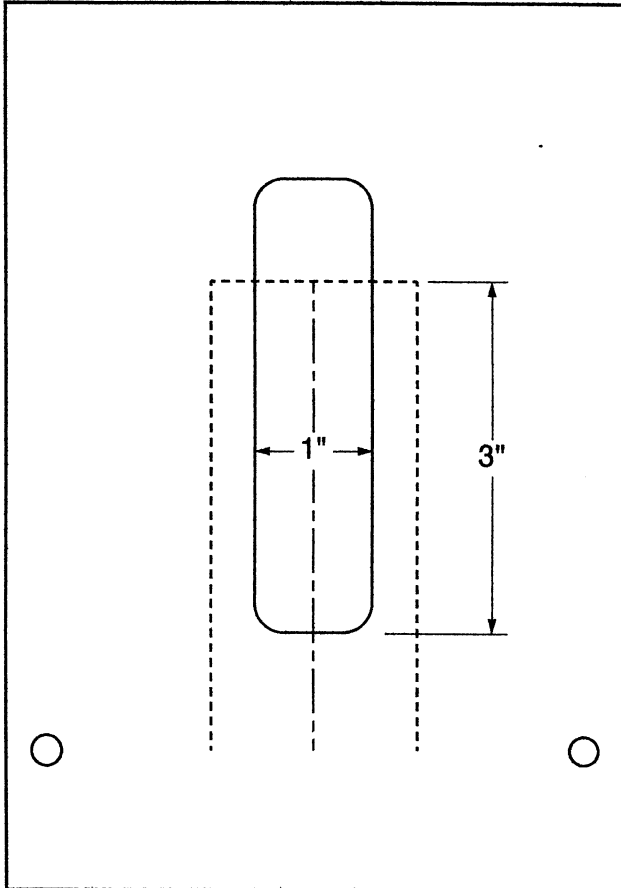
1. which portions of these templates apply;
2. relation of shown centerlines to those in manufacturer's template drawings or hardware;
3. correctness of dimensions.

7-14-95

PIVOTS

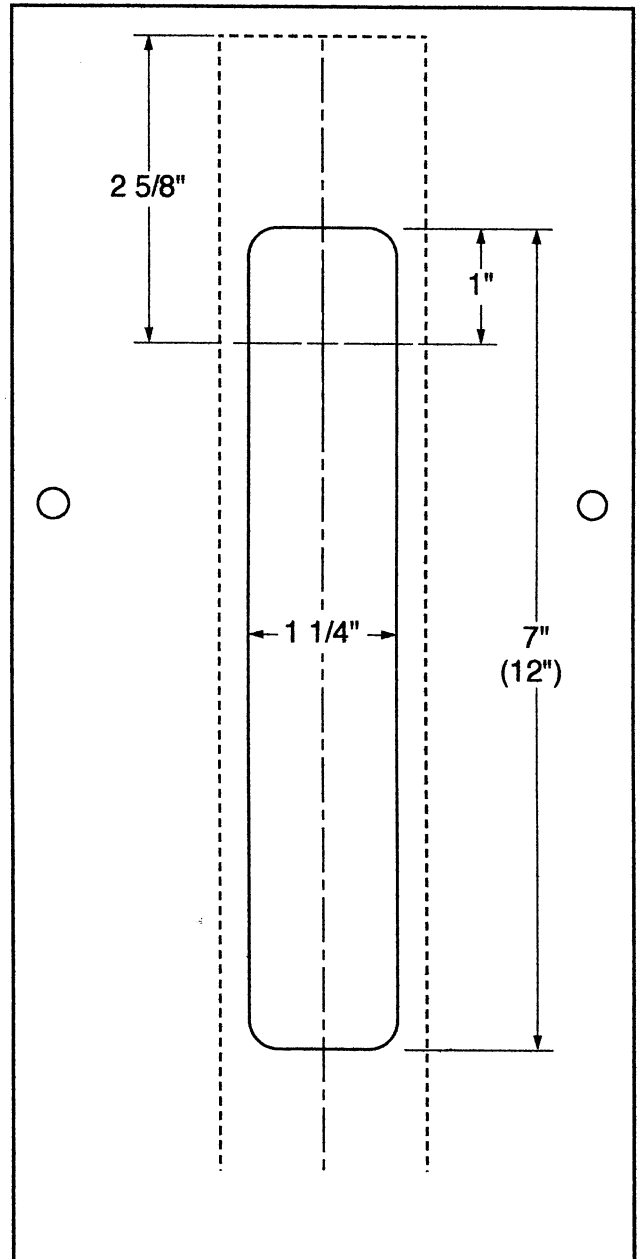
ROUTER: PLUNGE
GUIDE BUSHING: 13/16"
BIT: 1/2"

N-P-072



ROUTER: PLUNGE
GUIDE BUSHING: 13/16"
BIT: 1/2"

N-P-077



Slide base 5" to cut full length of 12".

Do not scale drawings.

Actual cutting dimensions are shown. Template dimensions are adjusted for router Guide-Bit difference.
Compare these drawings to manufacturer's template drawings to confirm:

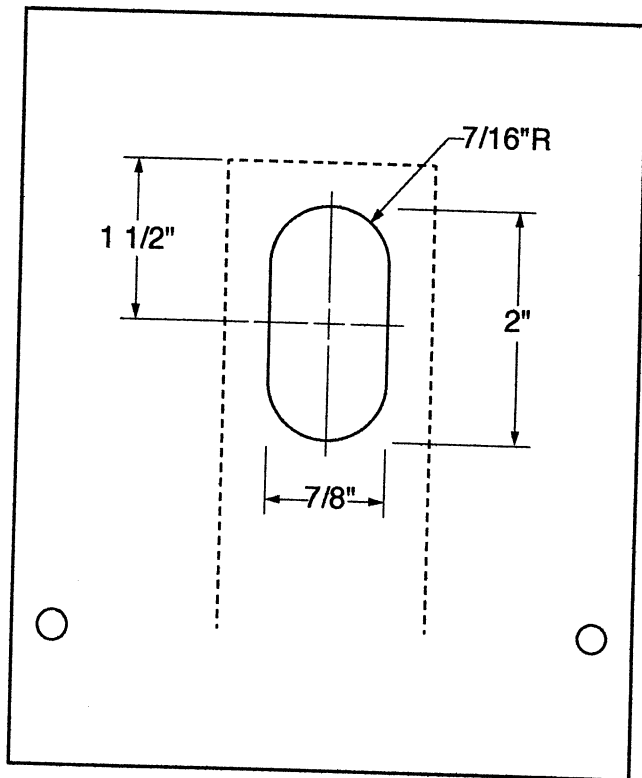
1. which portions of these templates apply;
2. relation of shown centerlines to those in manufacturer's template drawings or hardware;
3. correctness of dimensions.

7-14-95

PIVOTS

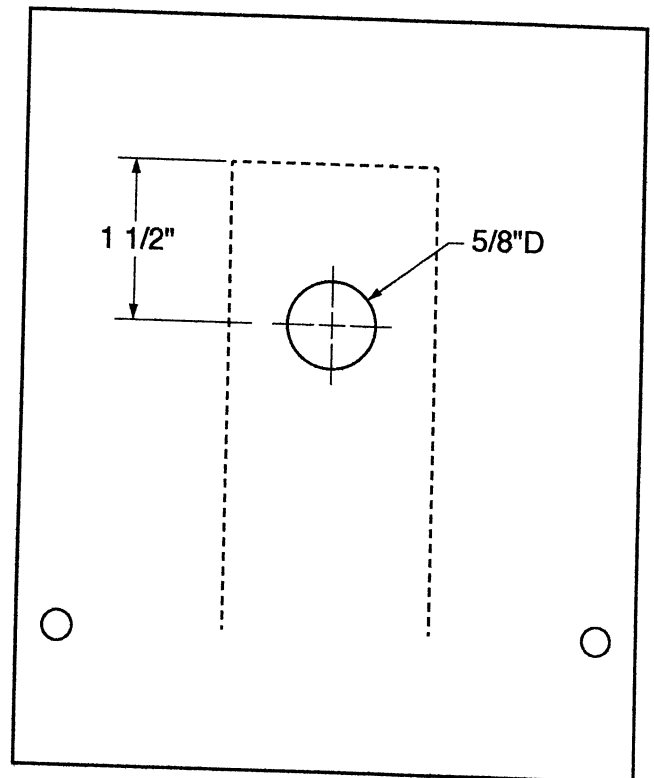
ROUTER: 1:1
DEPTH: 1/8"

N-P-078 A



ROUTER: PLUNGE
GUIDE BUSHING: 13/16"
BIT: 1/2"

N-P-078 B



Do not scale drawings.

Actual cutting dimensions are shown. Template dimensions are adjusted for router Guide-Bit difference. Compare these drawings to manufacturer's template drawings to confirm:

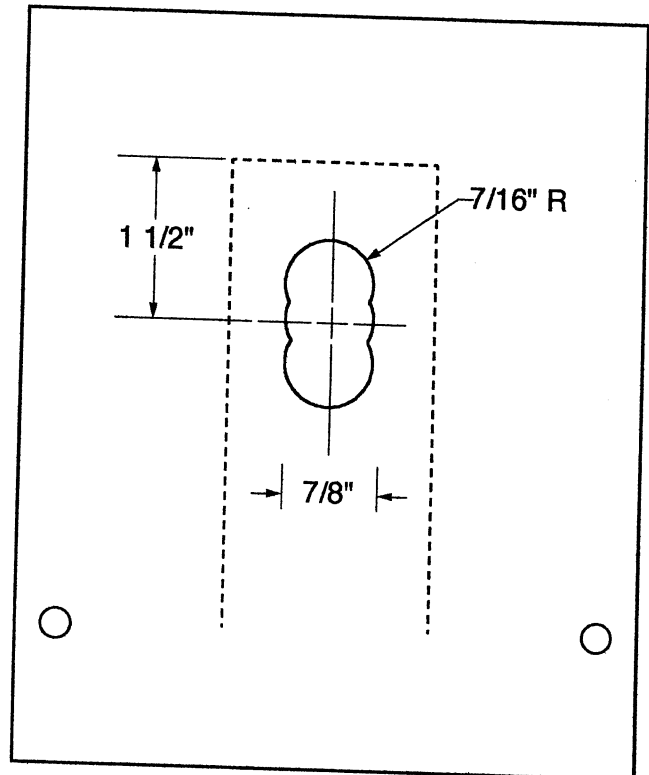
1. which portions of these templates apply;
2. relation of shown centerlines to those in manufacturer's template drawings or hardware;
3. correctness of dimensions.

5-1-96

PIVOTS

ROUTER: PLUNGE
GUIDE BUSHING: 13/16"
BIT: 1/2"

N-P-079A



Use N-P 078B for the 5/8" Dia Pivot Stud Hole

Do not scale drawings.

Actual cutting dimensions are shown. Template dimensions are adjusted for router Guide-Bit difference.

Compare these drawings to manufacturer's template drawings to confirm:

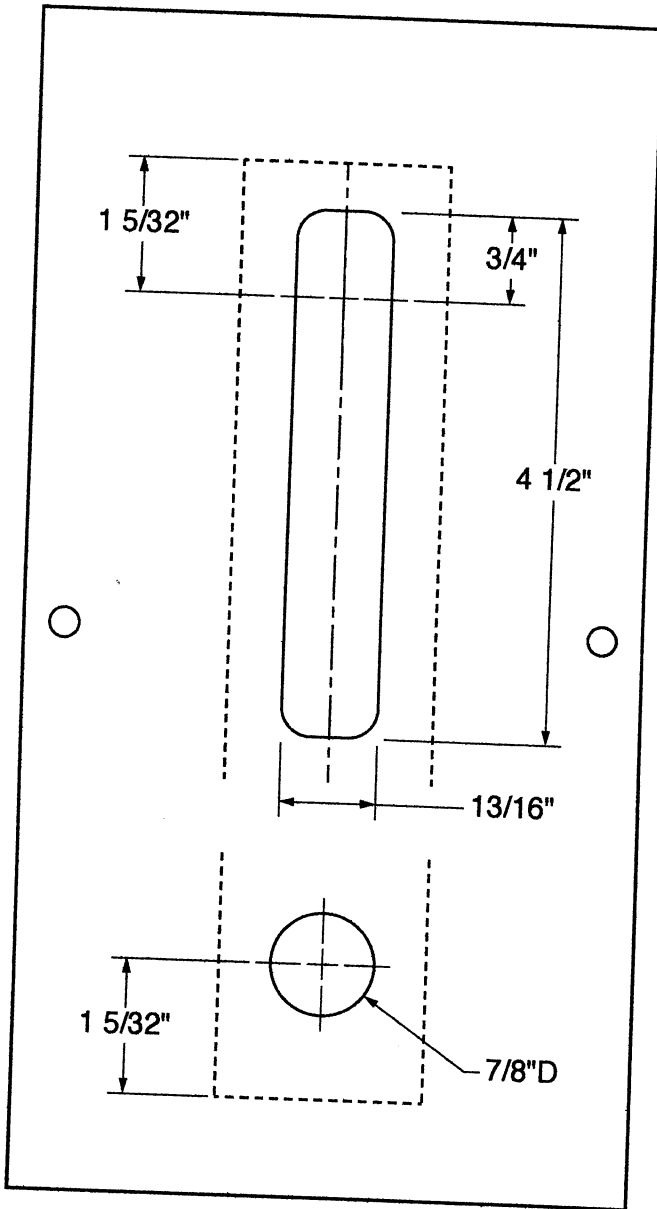
1. which portions of these templates apply;
2. relation of shown centerlines to those in manufacturer's template drawings or hardware;
3. correctness of dimensions.

5-1-96

PIVOTS

ROUTER: PLUNGE
GUIDE BUSHING: 13/16"
BIT: 1/2"

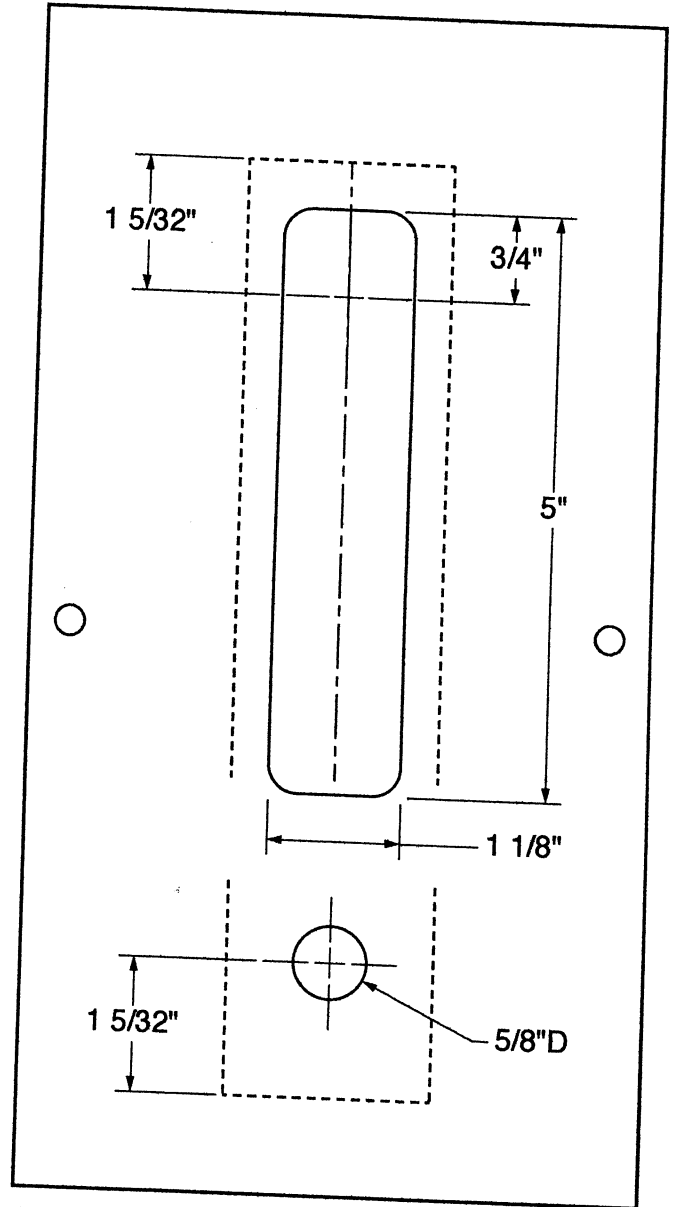
N-P-080



Turn template end for end to route hole

ROUTER: PLUNGE
GUIDE BUSHING: 13/16"
BIT: 1/2"

N-P-081



Turn template end for end to route hole

Do not scale drawings.

Actual cutting dimensions are shown. Template dimensions are adjusted for router Guide-Bit difference. Compare these drawings to manufacturer's template drawings to confirm:

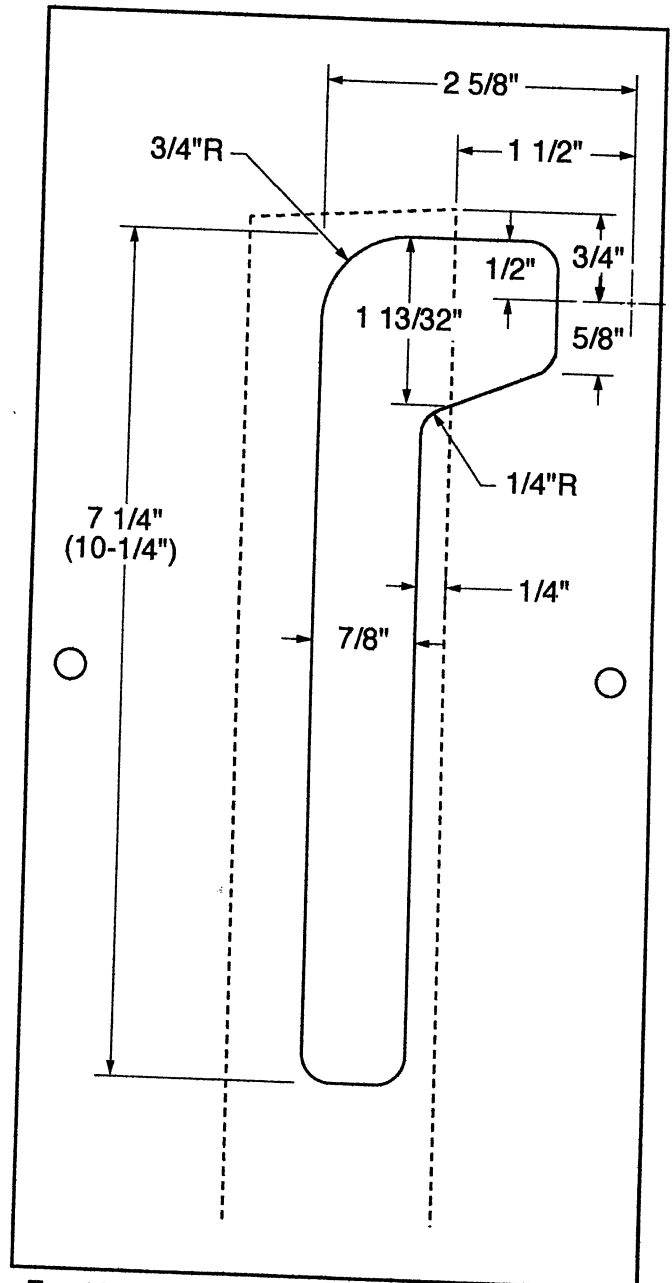
1. which portions of these templates apply;
2. relation of shown centerlines to those in manufacturer's template drawings or hardware;
3. correctness of dimensions.

7-14-95

PIVOTS

ROUTER: PLUNGE
 GUIDE BUSHING: 13/16"
 BIT: 1/2"

N-P-102



For $10 - \frac{1}{4}"$ long hardware, slide base $3"$ to cut full length.

Do not scale drawings.

Actual cutting dimensions are shown. Template dimensions are adjusted for router Guide-Bit difference. Compare these drawings to manufacturer's template drawings to confirm:

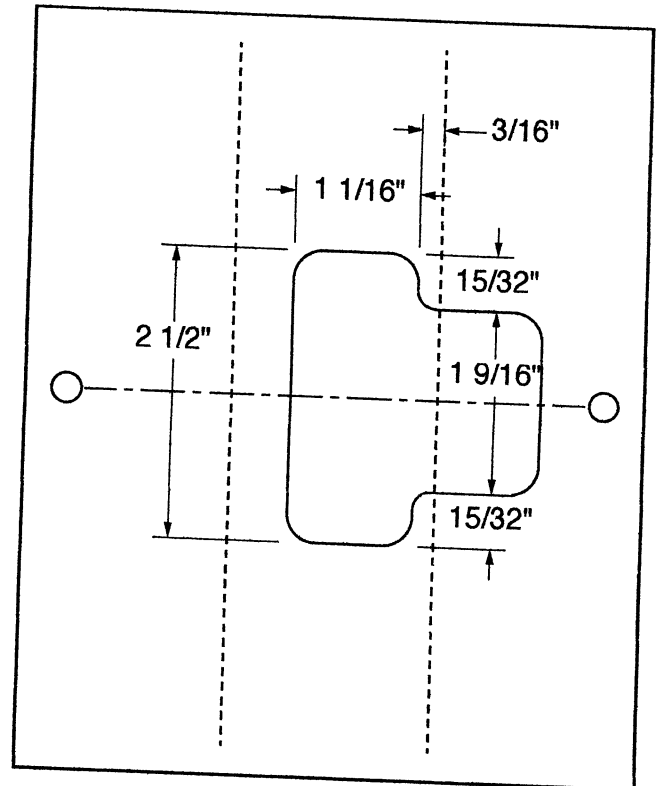
1. which portions of these templates apply;
2. relation of shown centerlines to those in manufacturer's template drawings or hardware;
3. correctness of dimensions.

7-14-95

PIVOTS

ROUTER: PLUNGE
GUIDE BUSHING: 13/16"
BIT: 1/2"

N-P-170



Do not scale drawings.

Actual cutting dimensions are shown. Template dimensions are adjusted for router Guide-Bit difference.

Compare these drawings to manufacturer's template drawings to confirm:

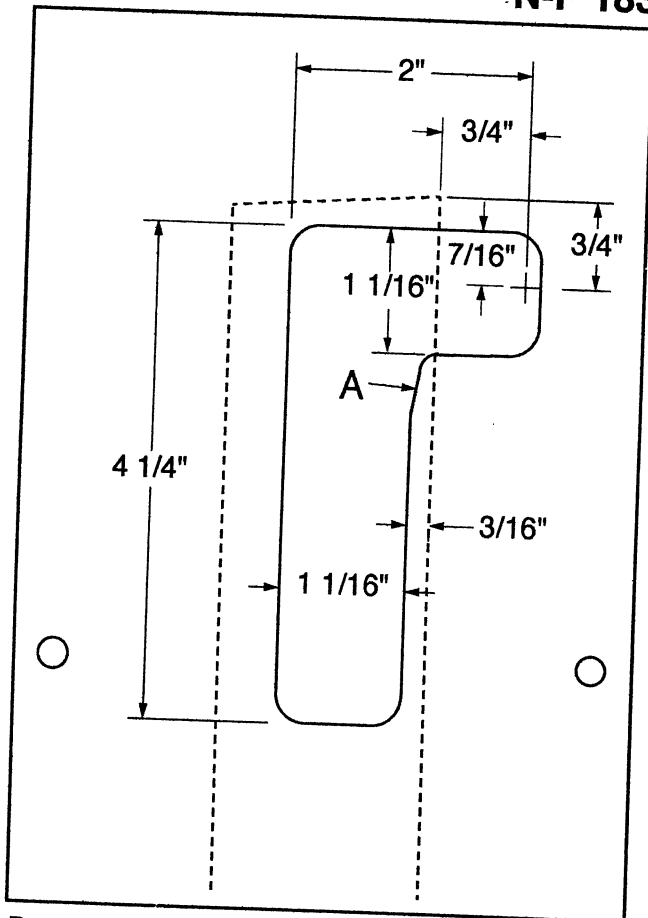
1. which portions of these templates apply;
2. relation of shown centerlines to those in manufacturer's template drawings or hardware;
3. correctness of dimensions.

7-14-95

PIVOTS

ROUTER: PLUNGE
GUIDE BUSHING: 13/16"
BIT: 1/2"

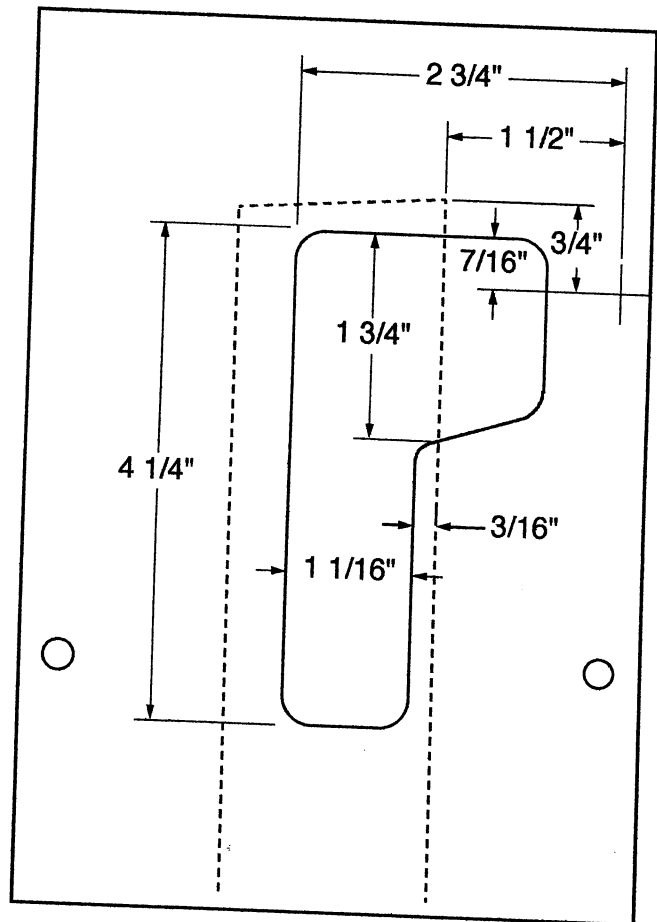
N-P 180
N-P 182
N-P 183



Detail at 'A' does not appear on manufacturer's template drawings.

ROUTER: PLUNGE
GUIDE BUSHING: 13/16"
BIT: 1/2"

N-P 181



Template	Door Size
N-P 180	1-3/4"
N-P 182	2"
N-P 183	2-1/4"

Do not scale drawings.

Actual cutting dimensions are shown. Template dimensions are adjusted for router Guide-Bit difference. Compare these drawings to manufacturer's template drawings to confirm:

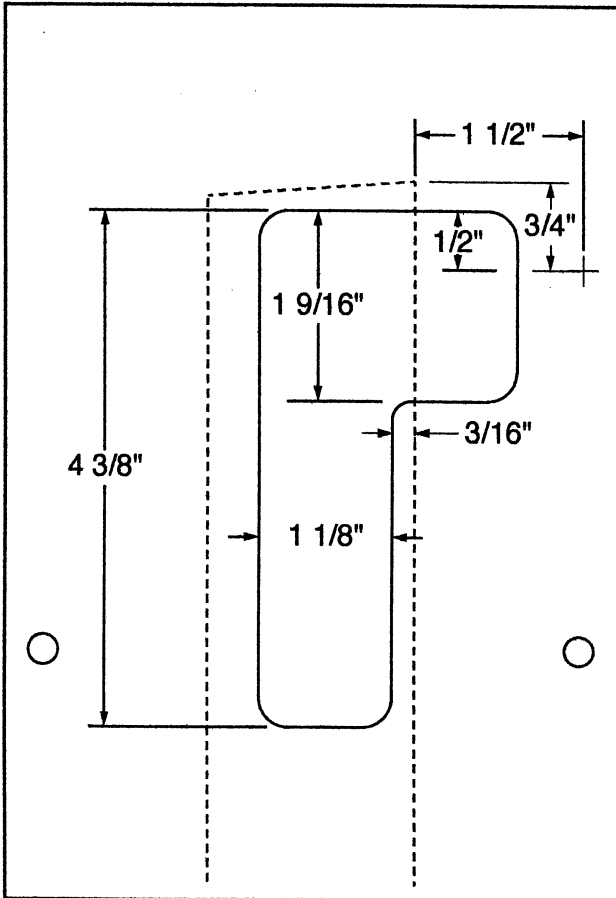
1. which portions of these templates apply;
2. relation of shown centerlines to those in manufacturer's template drawings or hardware;
3. correctness of dimensions.

7-14-95

PIVOTS

ROUTER: PLUNGE
GUIDE BUSHING: 13/16"
BIT: 1/2"

N-P-185



Do not scale drawings.

Actual cutting dimensions are shown. Template dimensions are adjusted for router Guide-Bit difference.

Compare these drawings to manufacturer's template drawings to confirm:

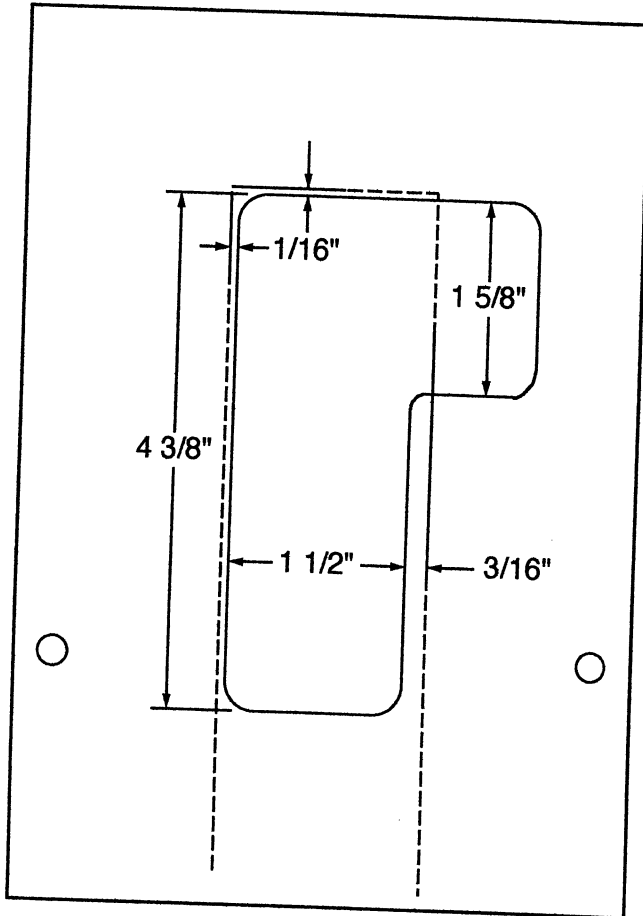
1. which portions of these templates apply;
2. relation of shown centerlines to those in manufacturer's template drawings or hardware;
3. correctness of dimensions.

4-23-02

PIVOTS

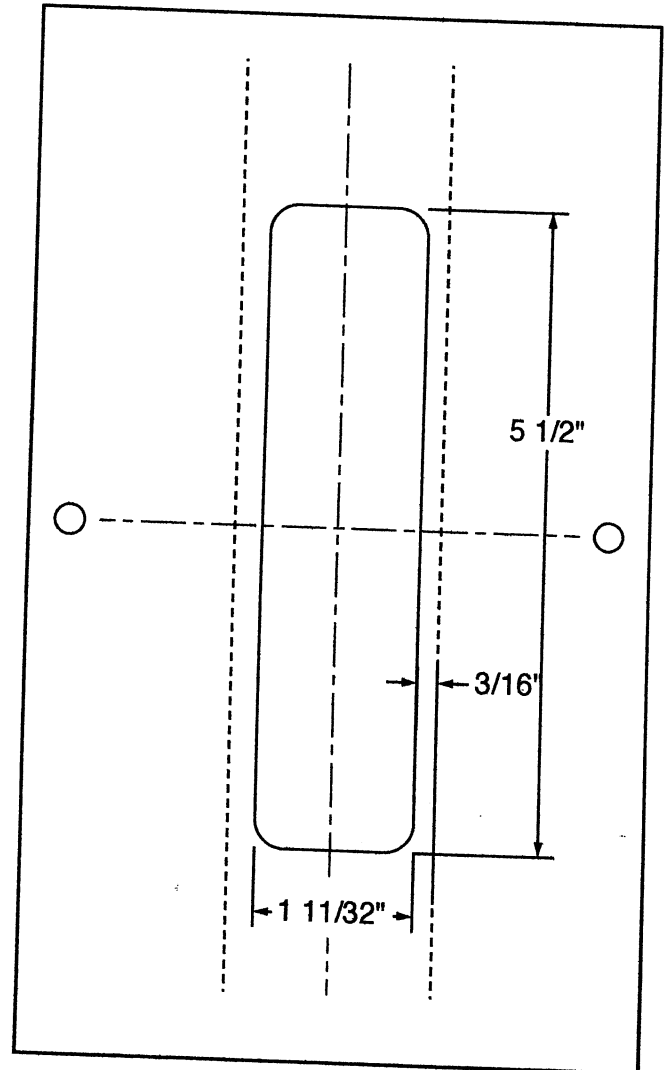
ROUTER: PLUNGE
GUIDE BUSHING: 13/16"
BIT: 1/2"

N-P-192



ROUTER: PLUNGE
GUIDE BUSHING: 13/16"
BIT: 1/2"

N-P-210



Do not scale drawings.

Actual cutting dimensions are shown. Template dimensions are adjusted for router Guide-Bit difference. Compare these drawings to manufacturer's template drawings to confirm:

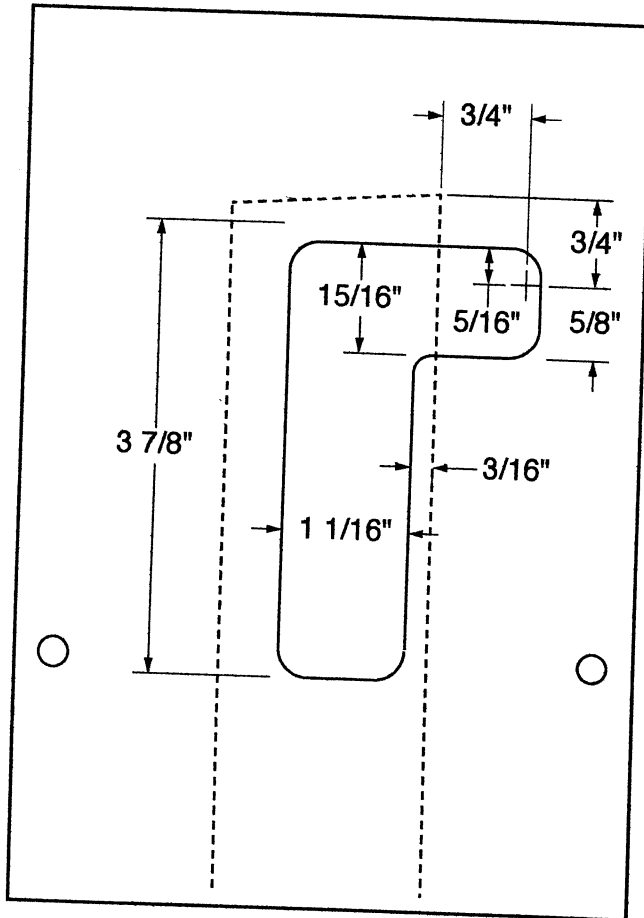
1. which portions of these templates apply;
2. relation of shown centerlines to those in manufacturer's template drawings or hardware;
3. correctness of dimensions.

4-23-99

PIVOTS

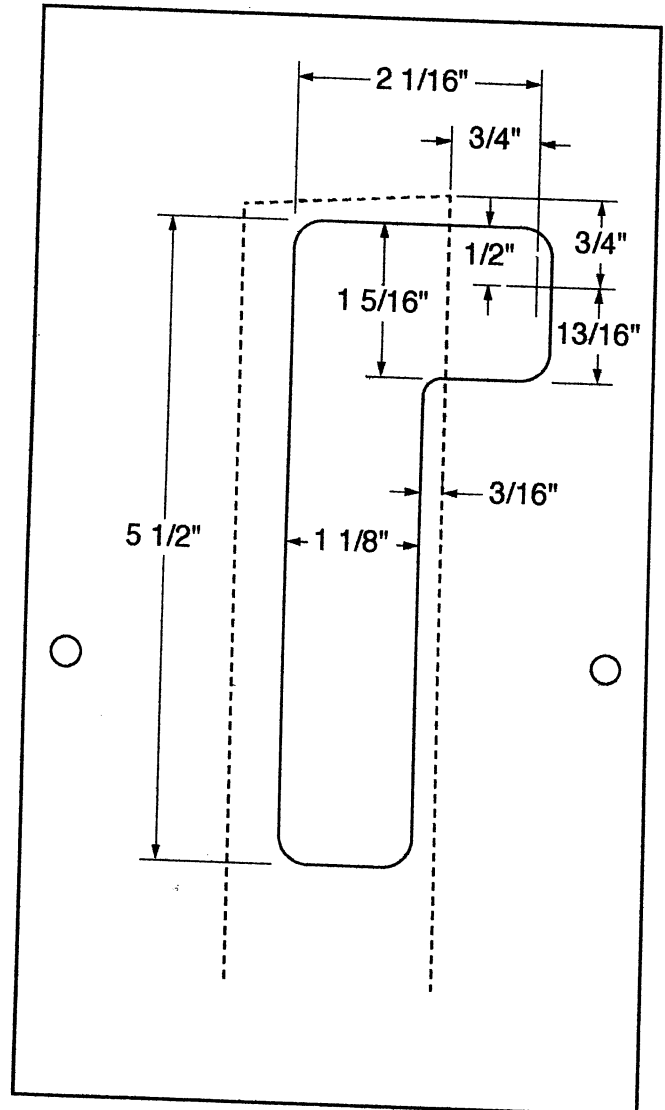
ROUTER: PLUNGE
GUIDE BUSHING: 13/16"
BIT: 1/2"

N-P-301



ROUTER: PLUNGE
GUIDE BUSHING: 13/16"
BIT: 1/2"

N-P-302



Do not scale drawings.

Actual cutting dimensions are shown. Template dimensions are adjusted for router Guide-Bit difference. Compare these drawings to manufacturer's template drawings to confirm:

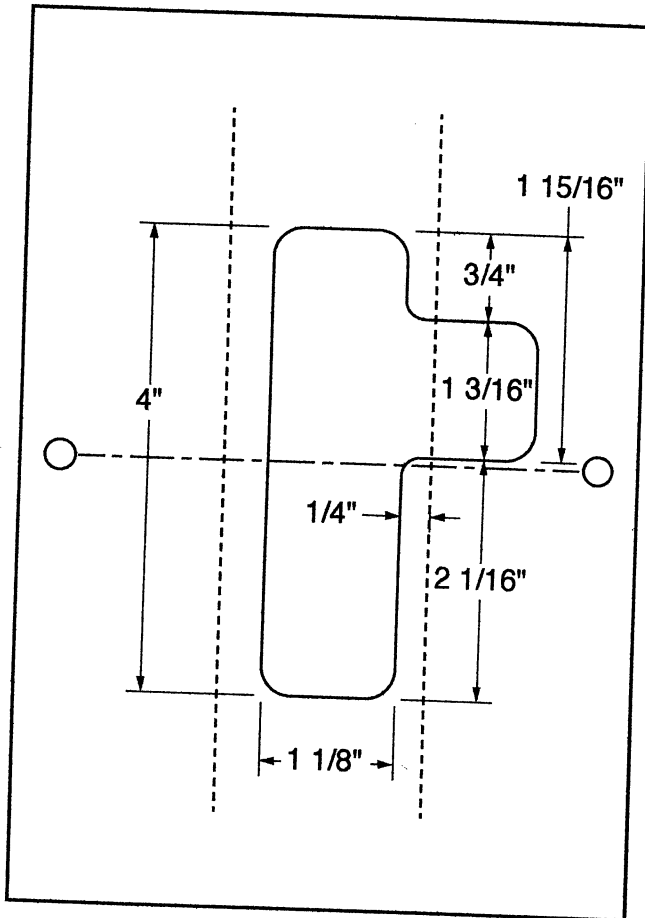
1. which portions of these templates apply;
2. relation of shown centerlines to those in manufacturer's template drawings or hardware;
3. correctness of dimensions.

7-14-95

PIVOTS

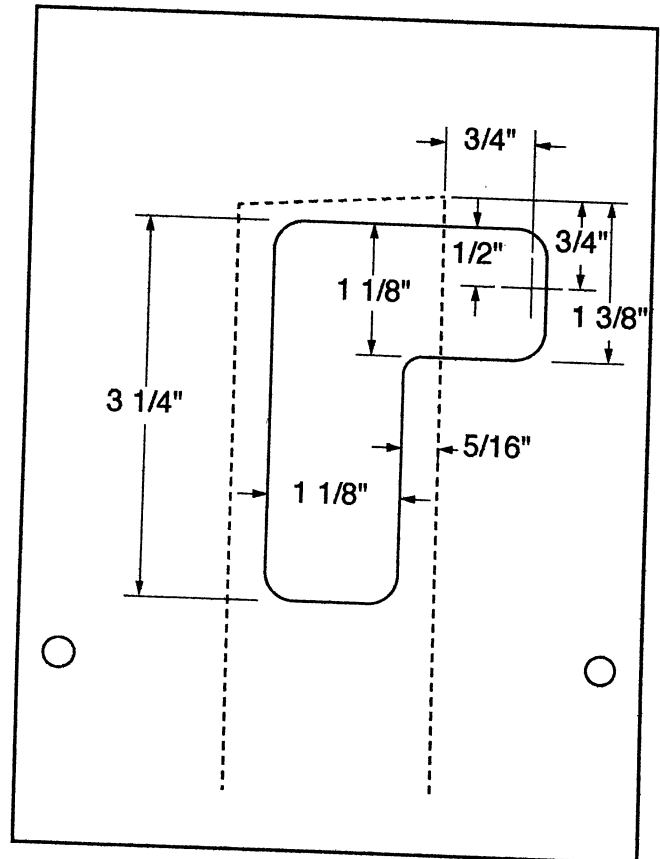
ROUTER: PLUNGE
GUIDE BUSHING: 13/16"
BIT: 1/2"

N-P-303



ROUTER: PLUNGE
GUIDE BUSHING: 13/16"
BIT: 1/2"

N-P-304



Do not scale drawings.

Actual cutting dimensions are shown. Template dimensions are adjusted for router Guide-Bit difference. Compare these drawings to manufacturer's template drawings to confirm:

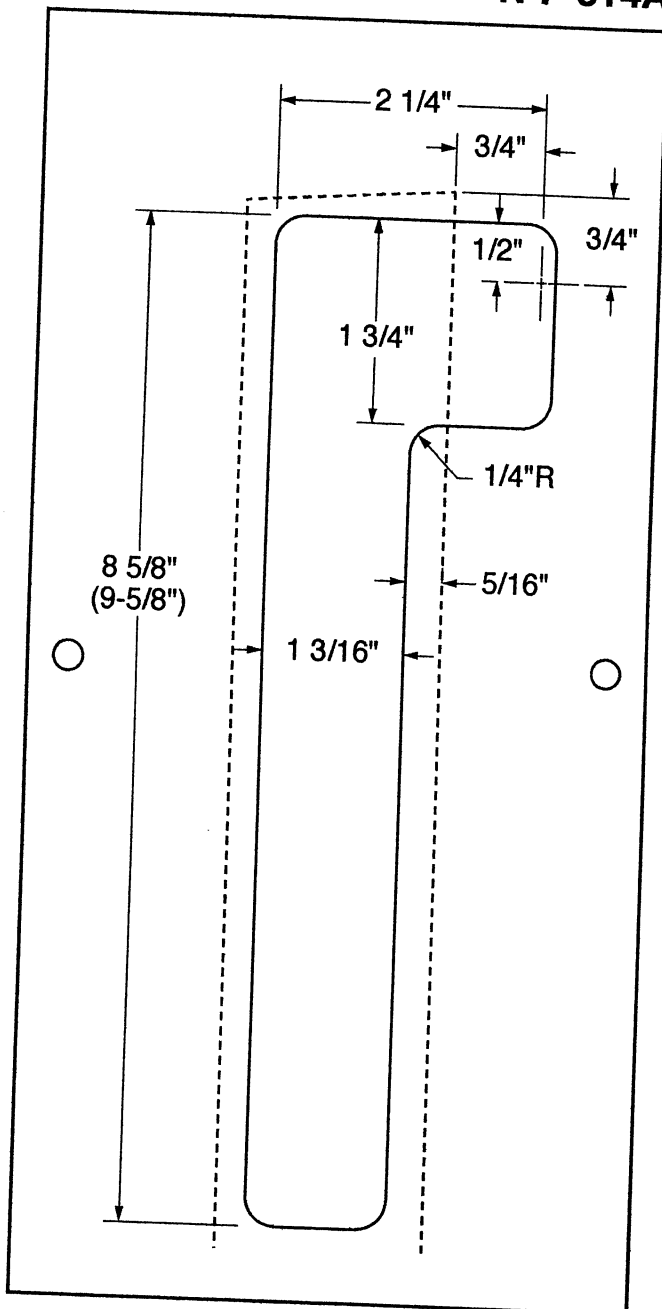
1. which portions of these templates apply;
2. relation of shown centerlines to those in manufacturer's template drawings or hardware;
3. correctness of dimensions.

7-14-95

PIVOTS

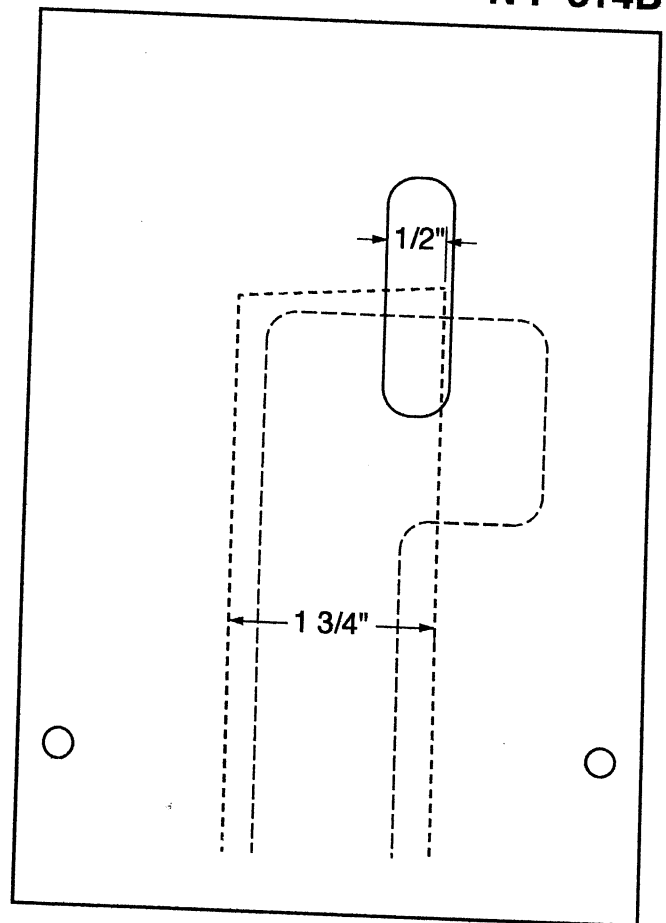
ROUTER: PLUNGE
GUIDE BUSHING: 13/16"
BIT: 1/2"

N-P 311A
N-P 313A
N-P 314A



ROUTER: PLUNGE
GUIDE BUSHING: 13/16"
BIT: 1/2"

N-P 311B
N-P 313B
N-P 314B



Template	Door Size
N-P 311	1-3/4"
N-P 313	2"
N-P 314	2-1/4"

Slide base 1" to cut full length of 9-5/8".

Do not scale drawings.

Actual cutting dimensions are shown. Template dimensions are adjusted for router Guide-Bit difference.

Compare these drawings to manufacturer's template drawings to confirm:

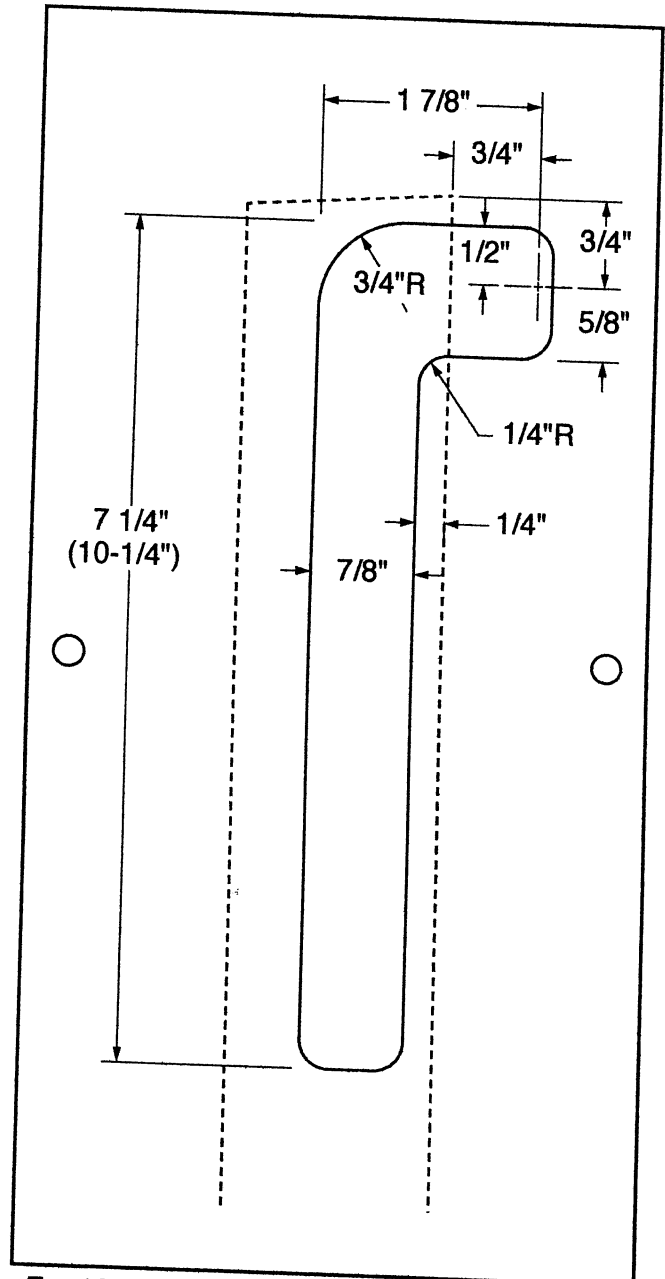
1. which portions of these templates apply;
2. relation of shown centerlines to those in manufacturer's template drawings or hardware;
3. correctness of dimensions.

7-14-95

PIVOTS

ROUTER: PLUNGE
GUIDE BUSHING: 13/16"
BIT: 1/2"

N-P-312



For 10-1/4" long hardware, slide base 3" to cut full length.

Do not scale drawings.

Actual cutting dimensions are shown. Template dimensions are adjusted for router Guide-Bit difference. Compare these drawings to manufacturer's template drawings to confirm:

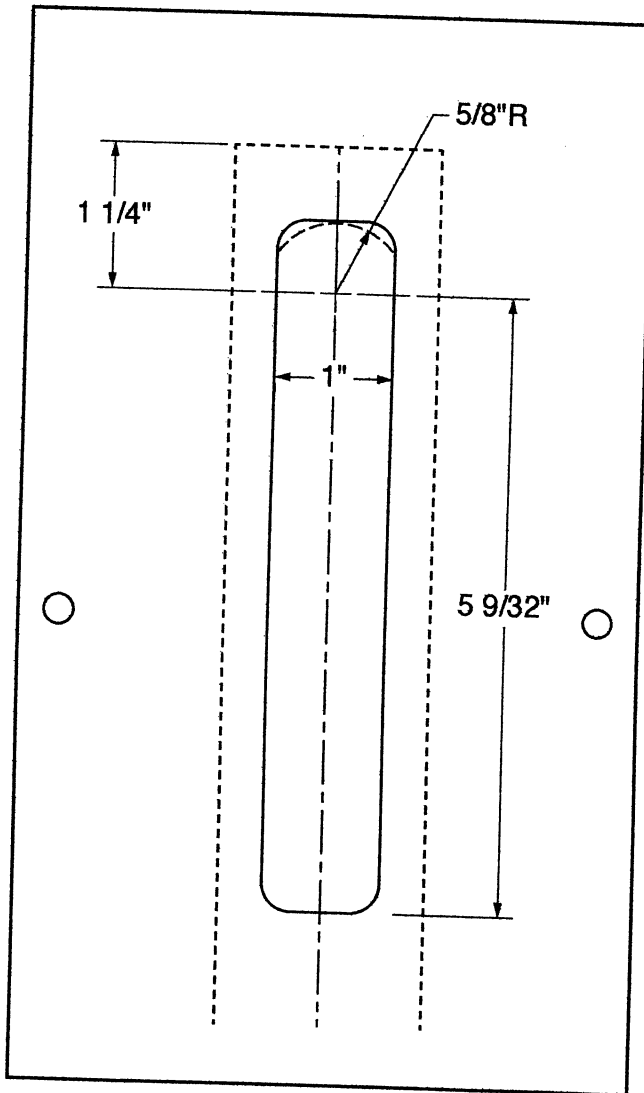
7-14-95

1. which portions of these templates apply;
2. relation of shown centerlines to those in manufacturer's template drawings or hardware;
3. correctness of dimensions.

PIVOTS

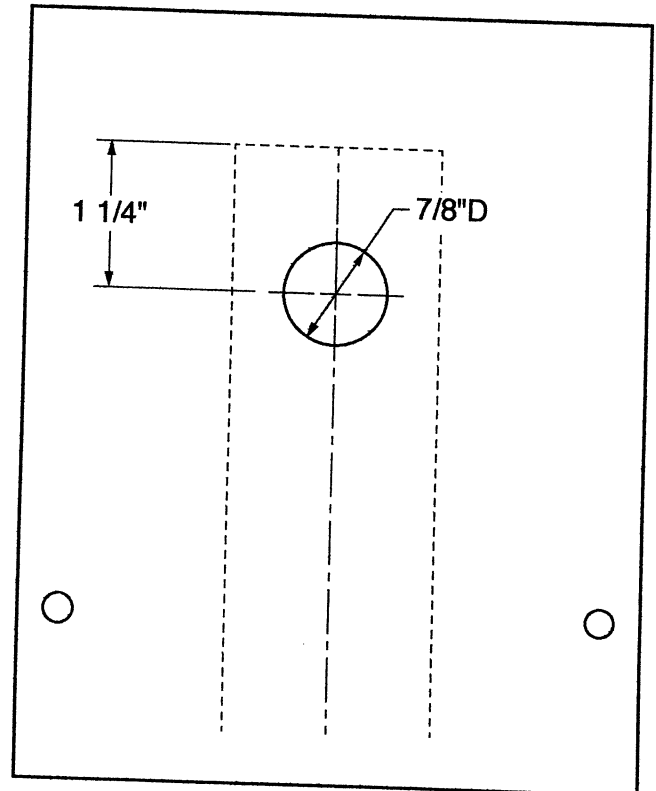
ROUTER: PLUNGE
GUIDE BUSHING: 13/16"
BIT: 1/2"

N-P-320 A



ROUTER: PLUNGE
GUIDE BUSHING: 13/16"
BIT: 1/2"

N-P-320 B



Do not scale drawings.

Actual cutting dimensions are shown. Template dimensions are adjusted for router Guide-Bit difference. Compare these drawings to manufacturer's template drawings to confirm:

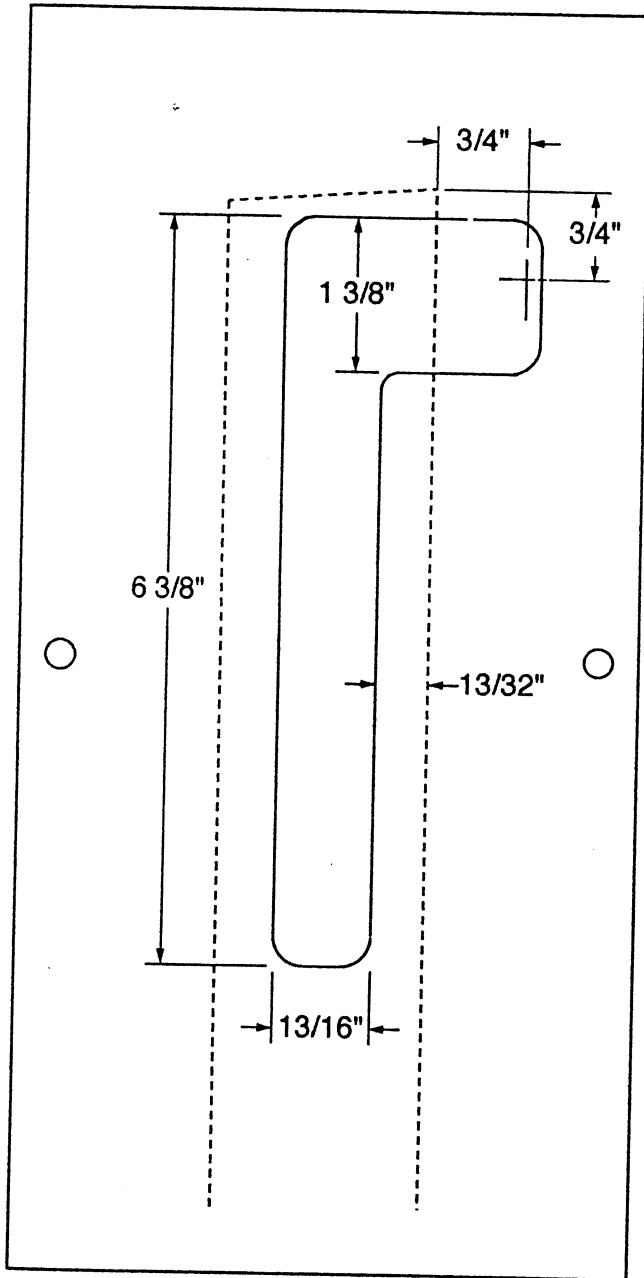
1. which portions of these templates apply;
2. relation of shown centerlines to those in manufacturer's template drawings or hardware;
3. correctness of dimensions.

7-14-95

PIVOTS

ROUTER: PLUNGE
GUIDE BUSHING: 13/16"
BIT: 1/2"

N-P 330



Do not scale drawings.

Actual cutting dimensions are shown. Template dimensions are adjusted for router Guide-Bit difference.

Compare these drawings to manufacturer's template drawings to confirm:

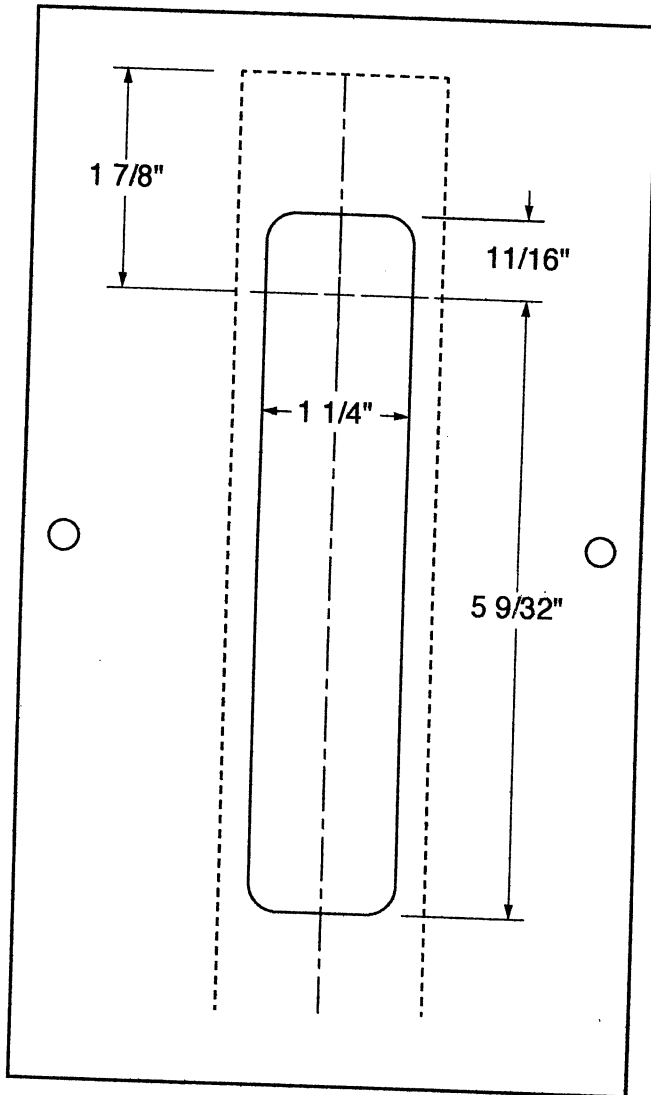
1. which portions of these templates apply;
2. relation of shown centerlines to those in manufacturer's template drawings or hardware;
3. correctness of dimensions.

6-25-01

PIVOTS

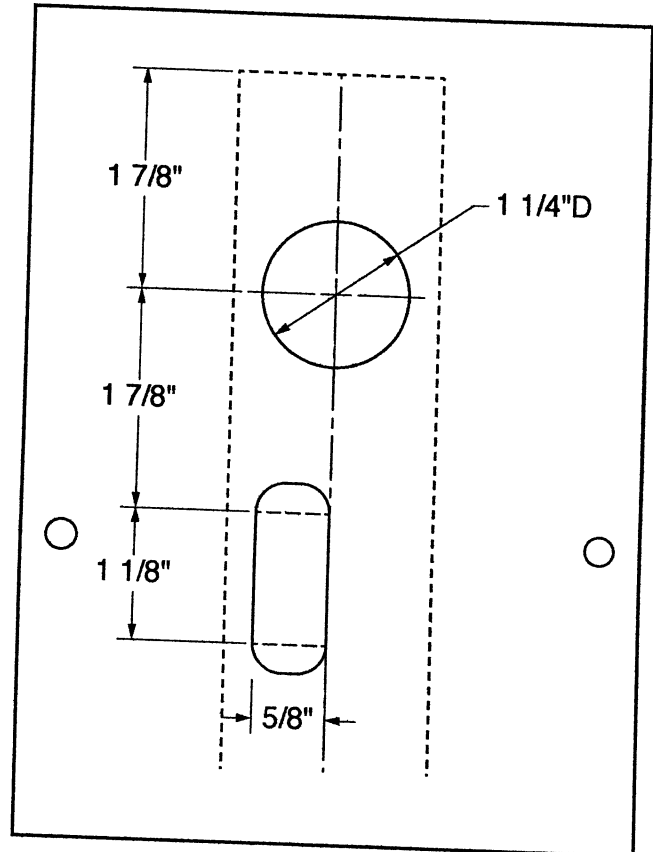
ROUTER: PLUNGE
GUIDE BUSHING: 13/16"
BIT: 1/2"

N-P-341 A



ROUTER: PLUNGE
GUIDE BUSHING: 13/16"
BIT: 1/2"

N-P-341 B



Do not scale drawings.
Actual cutting dimensions are shown. Template dimensions are adjusted for router Guide-Bit difference.
Compare these drawings to manufacturer's template drawings to confirm:

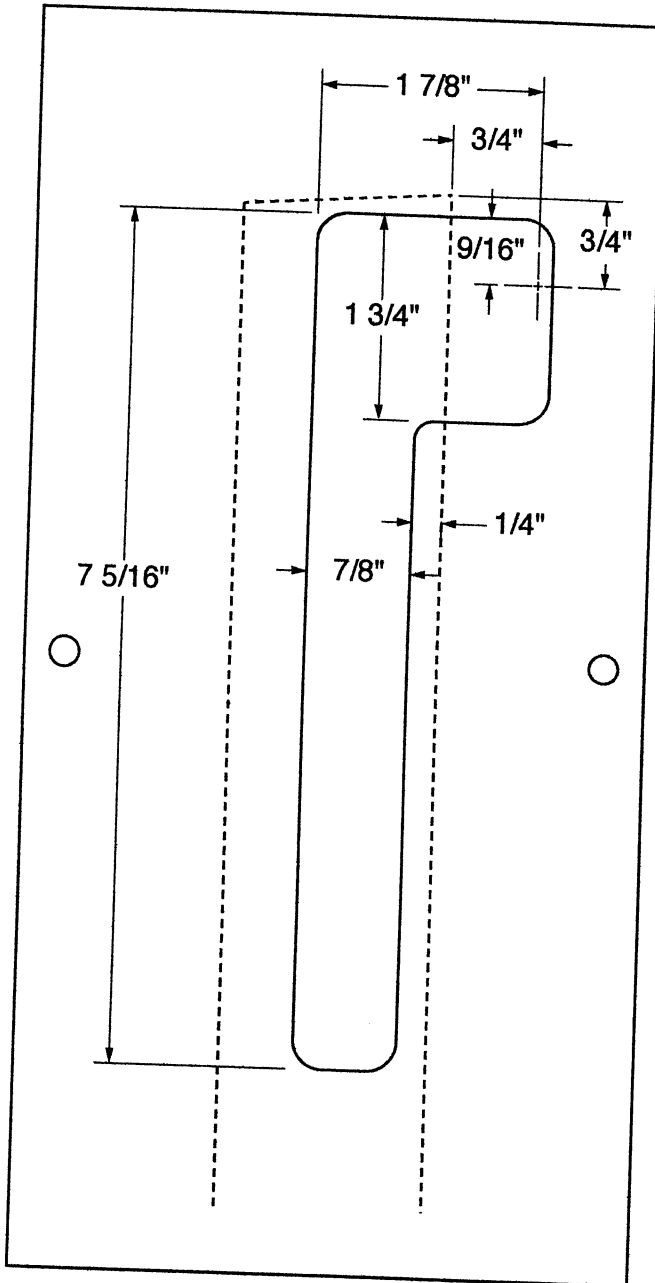
1. which portions of these templates apply;
2. relation of shown centerlines to those in manufacturer's template drawings or hardware;
3. correctness of dimensions.

7-14-95

PIVOTS

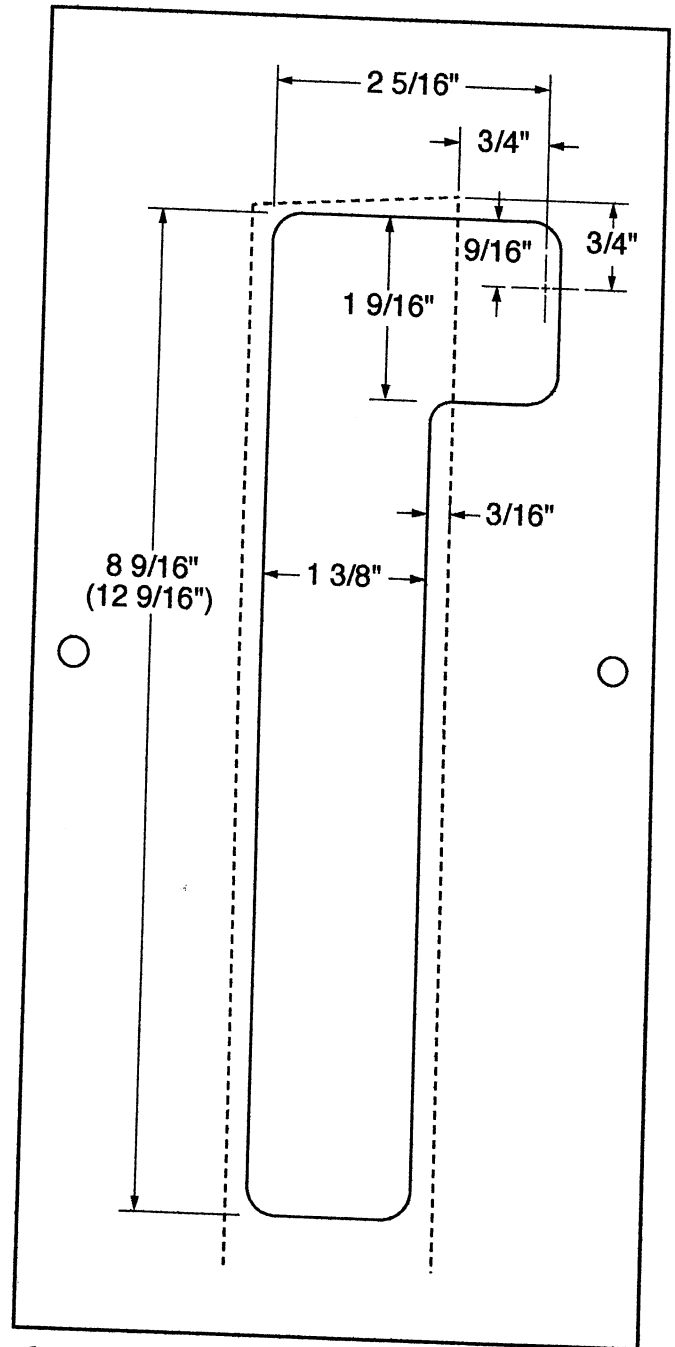
ROUTER: PLUNGE
GUIDE BUSHING: 13/16"
BIT: 1/2"

N-P-372



ROUTER: PLUNGE
GUIDE BUSHING: 13/16"
BIT: 1/2"

N-P-375



Slide base 4" to cut full length of 12 9/16".

Do not scale drawings.

Actual cutting dimensions are shown. Template dimensions are adjusted for router Guide-Bit difference.

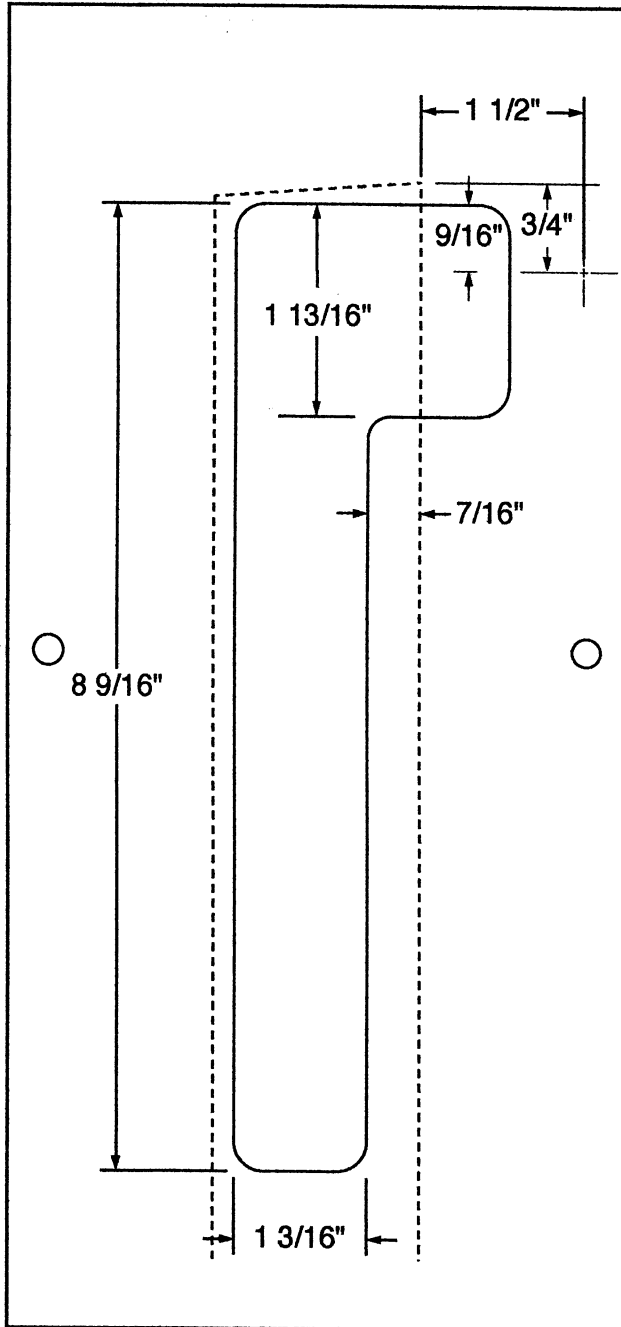
- Compare these drawings to manufacturer's template drawings to confirm:
1. which portions of these templates apply;
 2. relation of shown centerlines to those in manufacturer's template drawings or hardware;
 3. correctness of dimensions.

7-14-95

PIVOTS

ROUTER: PLUNGE
GUIDE BUSHING: 13/16"
BIT: 1/2"

N-P 376



Do not scale drawings.

Actual cutting dimensions are shown. Template dimensions are adjusted for router Guide-Bit difference. Compare these drawings to manufacturer's template drawings to confirm:

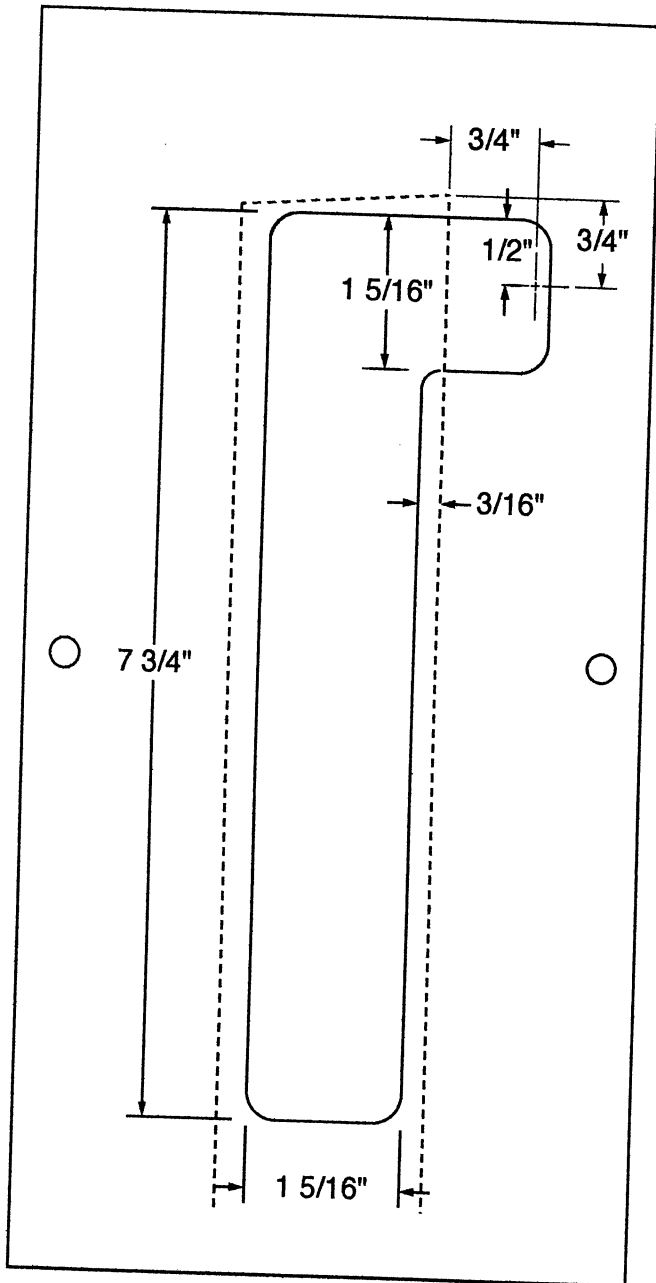
4-24-02

1. which portions of these templates apply;
2. relation of shown centerlines to those in manufacturer's template drawings or hardware;
3. correctness of dimensions.

PIVOTS

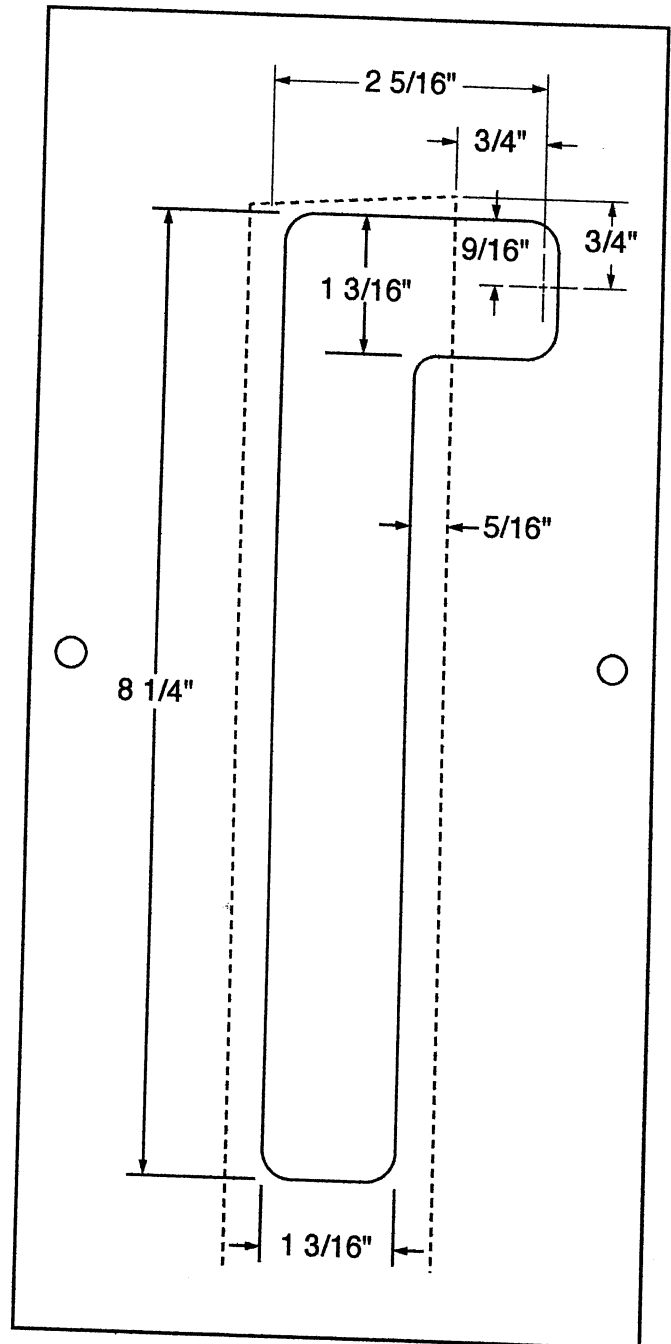
ROUTER: PLUNGE
GUIDE BUSHING: 13/16"
BIT: 1/2"

N-P 378



ROUTER: PLUNGE
GUIDE BUSHING: 13/16"
BIT: 1/2"

N-P 379



Do not scale drawings.
Actual cutting dimensions are shown. Template dimensions are adjusted for router Guide-Bit difference.
Compare these drawings to manufacturer's template drawings to confirm:

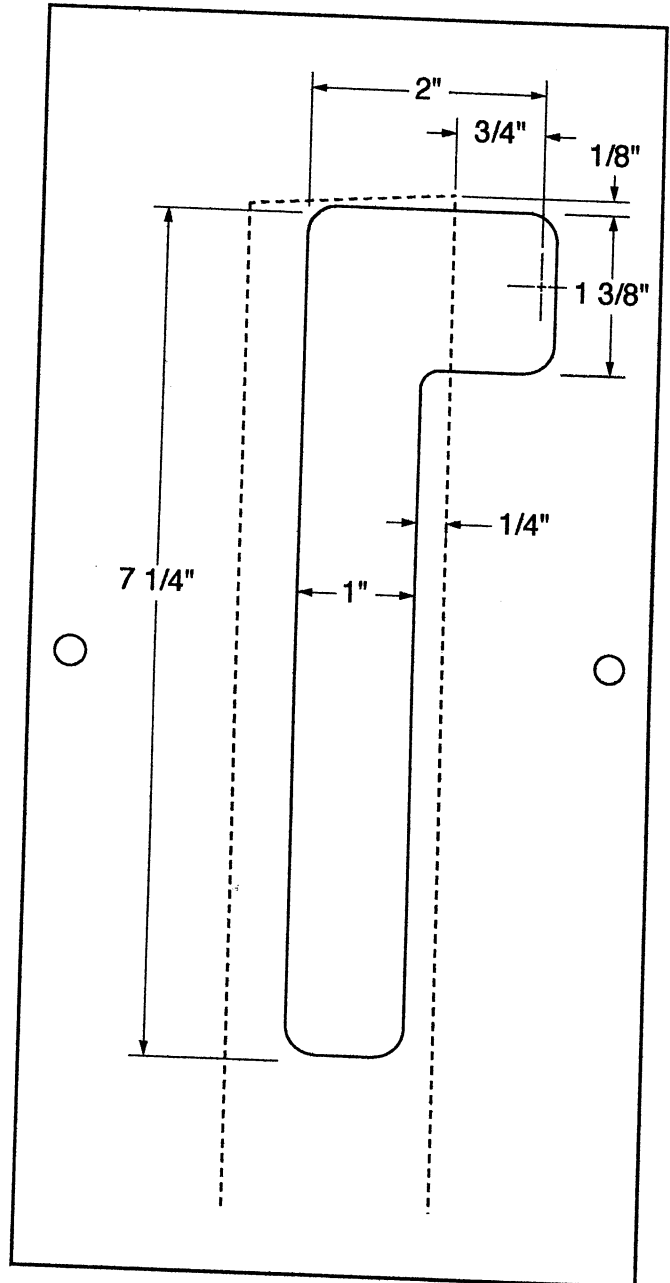
1. which portions of these templates apply;
2. relation of shown centerlines to those in manufacturer's template drawings or hardware;
3. correctness of dimensions.

11-20-00

PIVOTS

ROUTER: PLUNGE
GUIDE BUSHING: 13/16"
BIT: 1/2"

N-P-395



Do not scale drawings.

Actual cutting dimensions are shown. Template dimensions are adjusted for router Guide-Bit difference.

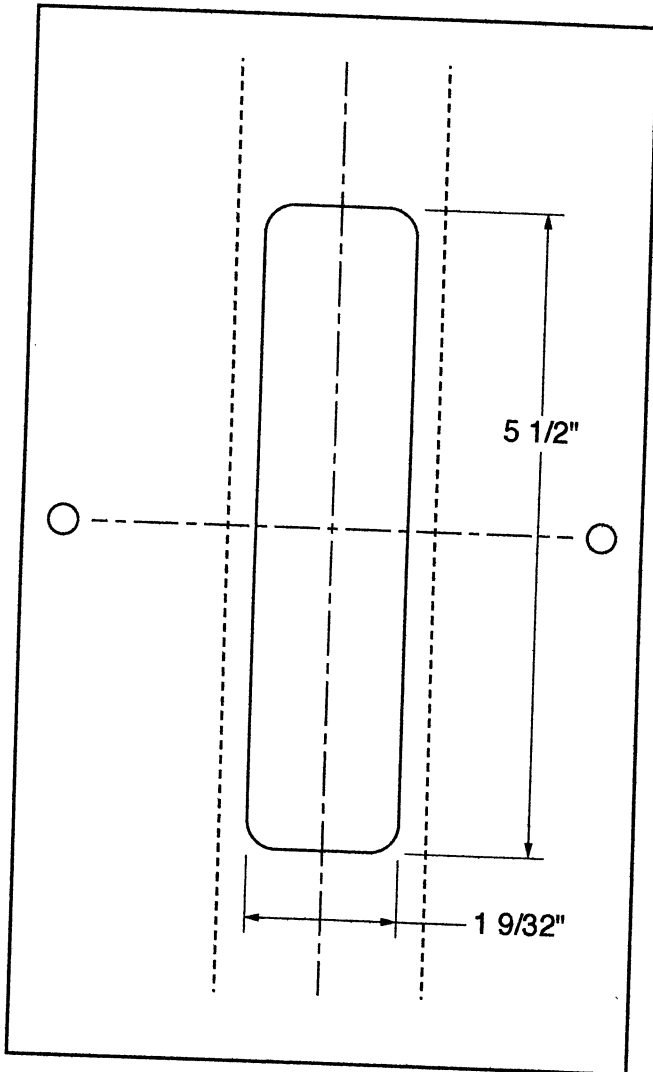
- Compare these drawings to manufacturer's template drawings to confirm:
1. which portions of these templates apply;
 2. relation of shown centerlines to those in manufacturer's template drawings or hardware;
 3. correctness of dimensions.

7-14-95

PIVOTS

ROUTER: PLUNGE
GUIDE BUSHING: 13/16"
BIT: 1/2"

N-P-401



Do not scale drawings.

Actual cutting dimensions are shown. Template dimensions are adjusted for router Guide-Bit difference. Compare these drawings to manufacturer's template drawings to confirm:

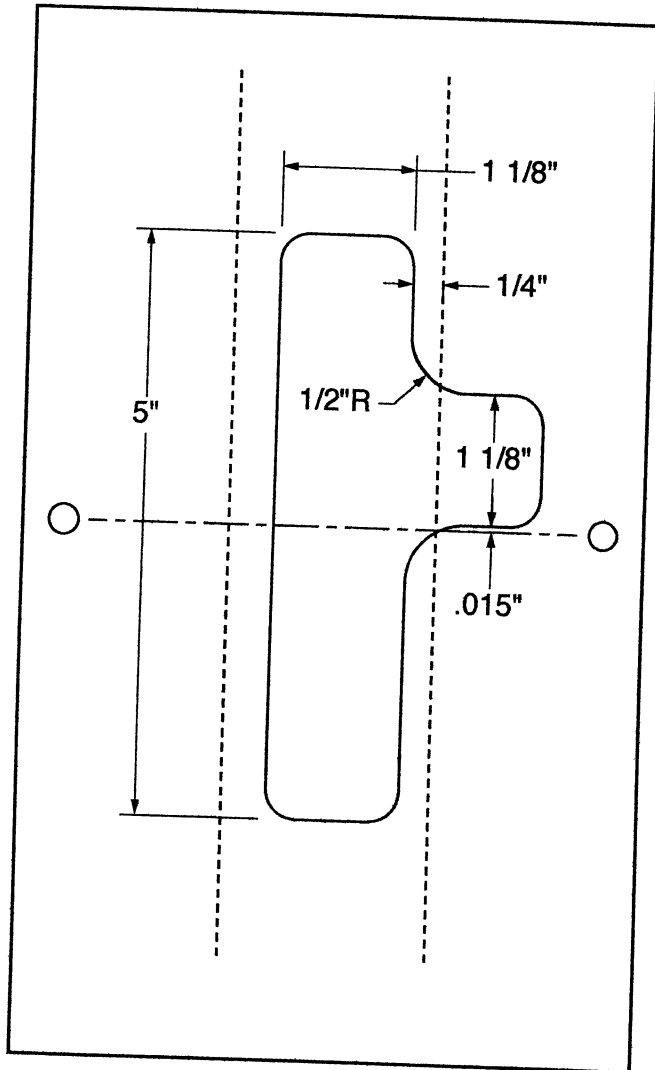
1. which portions of these templates apply;
2. relation of shown centerlines to those in manufacturer's template drawings or hardware;
3. correctness of dimensions.

7-14-95

PIVOTS

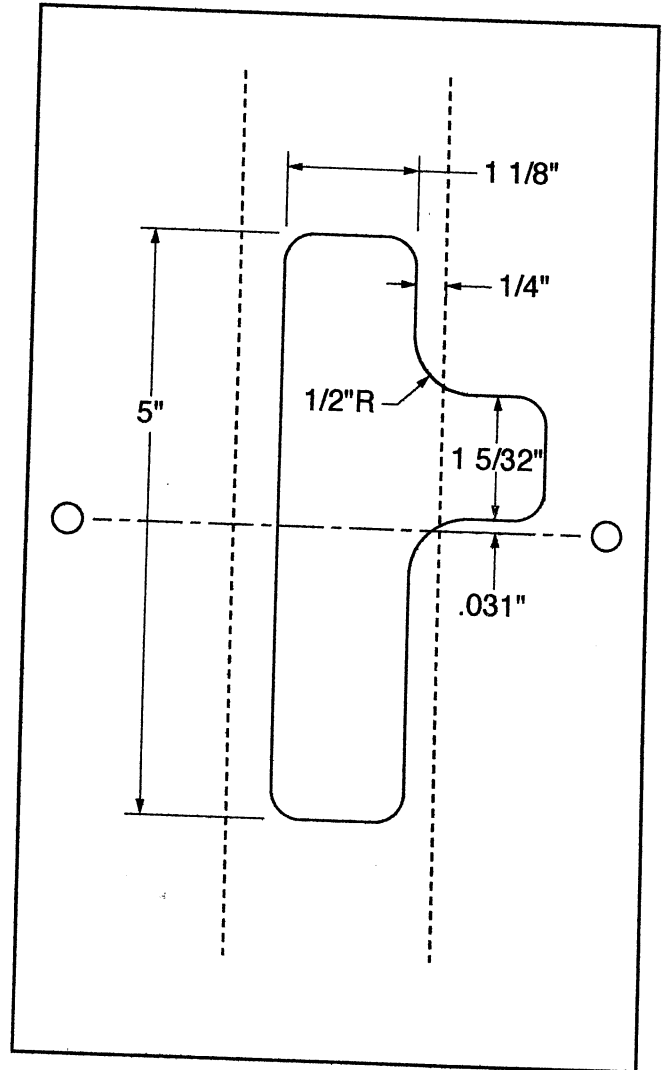
ROUTER: PLUNGE
GUIDE BUSHING: 13/16"
BIT: 1/2"

N-P-423



ROUTER: PLUNGE
GUIDE BUSHING: 13/16"
BIT: 1/2"

N-P-424



Do not scale drawings.

Actual cutting dimensions are shown. Template dimensions are adjusted for router Guide-Bit difference.

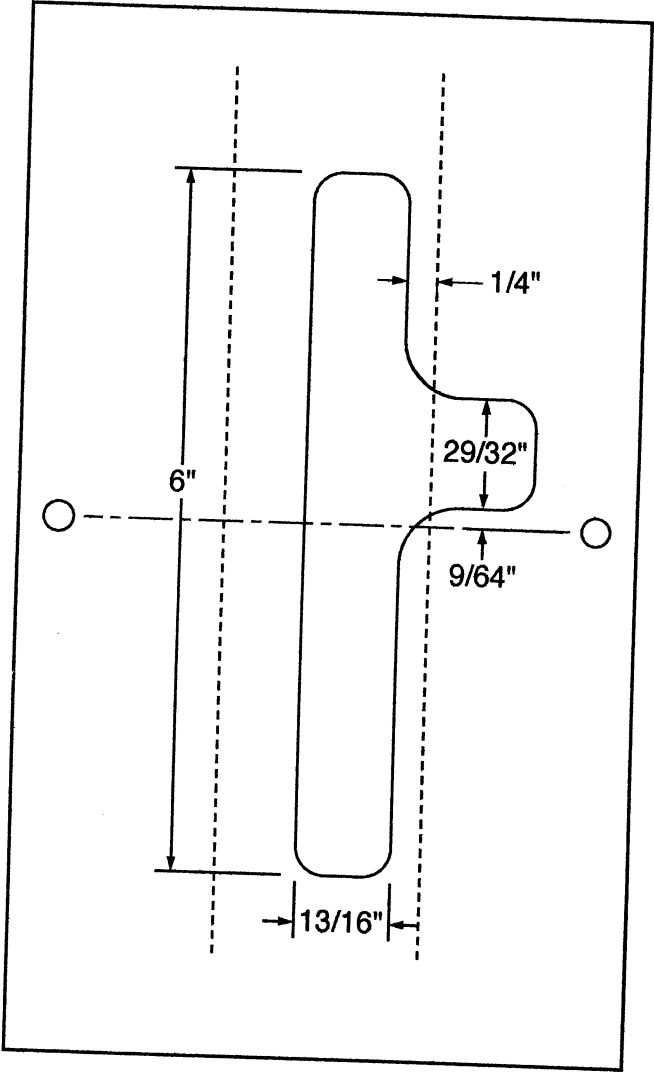
- Compare these drawings to manufacturer's template drawings to confirm:
1. which portions of these templates apply;
 2. relation of shown centerlines to those in manufacturer's template drawings or hardware;
 3. correctness of dimensions.

7-14-95

PIVOTS

ROUTER: PLUNGE
GUIDE BUSHING: 13/16"
BIT: 1/2"

N-P-425



Do not scale drawings.
Actual cutting dimensions are shown. Template dimensions are adjusted for router Guide-Bit difference.
Compare these drawings to manufacturer's template drawings to confirm:

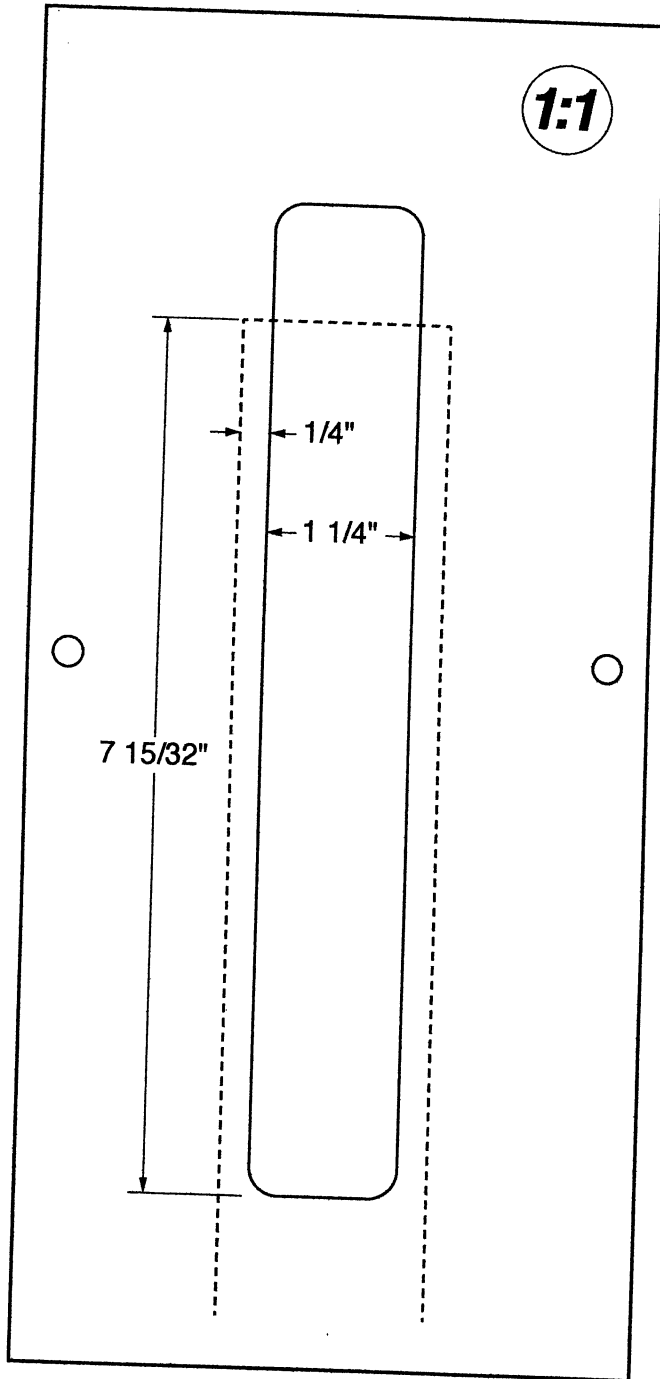
1. which portions of these templates apply;
2. relation of shown centerlines to those in manufacturer's template drawings or hardware;
3. correctness of dimensions.

4-11-99

PIVOTS

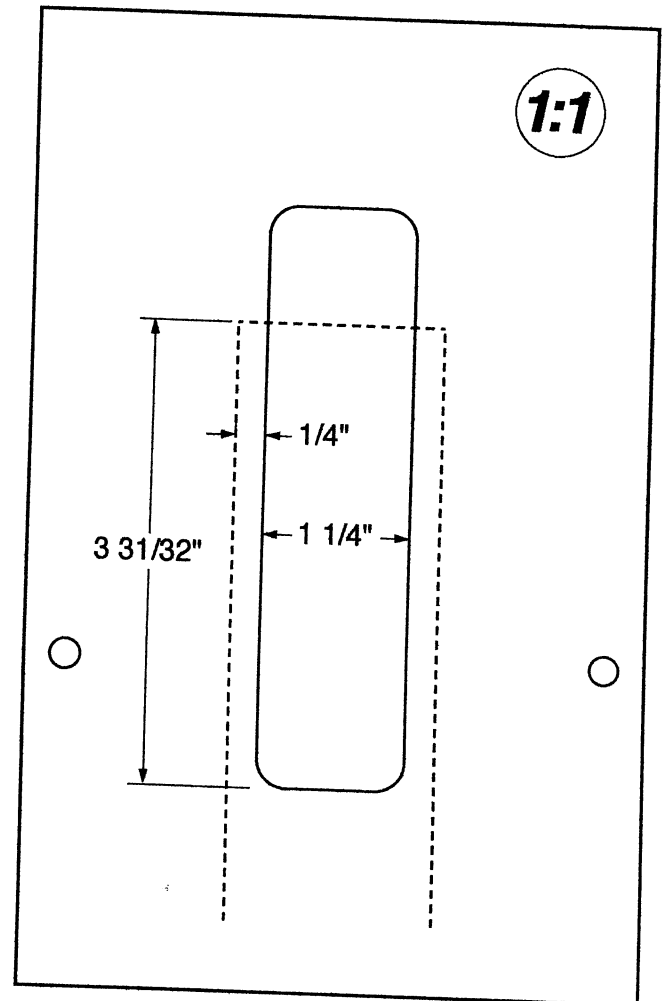
ROUTER: 1:1
DEPTH: 3/16"

N-P-526



ROUTER: 1:1
DEPTH: 3/16"

N-P-527



Do not scale drawings.
Actual cutting dimensions are shown. Template dimensions are adjusted for router Guide-Bit difference.
Compare these drawings to manufacturer's template drawings to confirm:

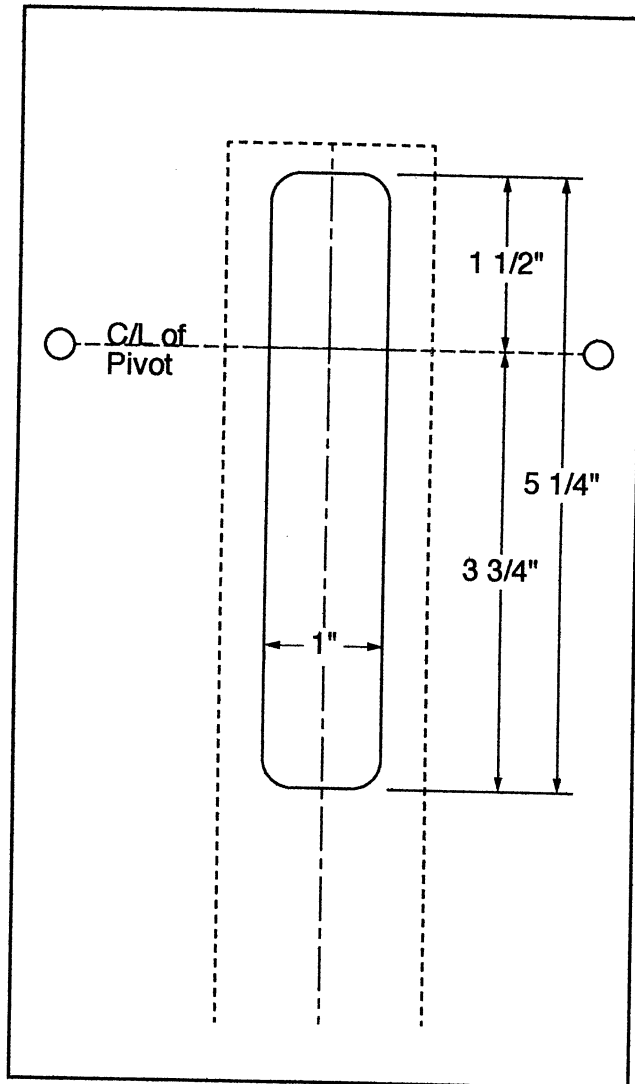
1. which portions of these templates apply;
2. relation of shown centerlines to those in manufacturer's template drawings or hardware;
3. correctness of dimensions.

7-14-95

PIVOTS

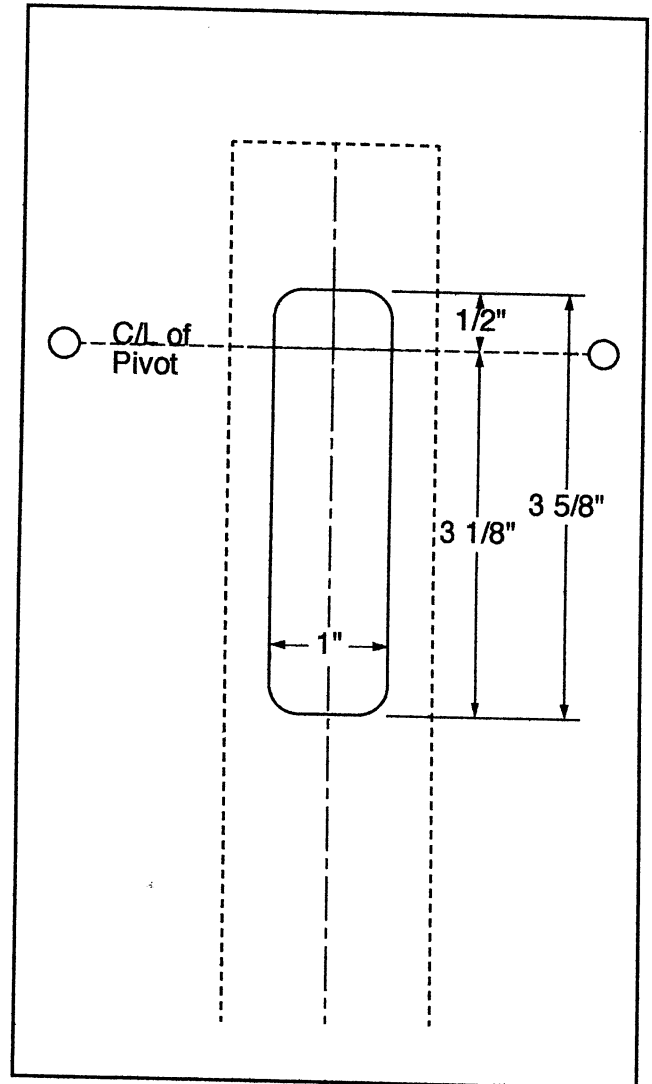
ROUTER: PLUNGE
GUIDE BUSHING: 13/16"
BIT: 1/2"

N-P 610A



ROUTER: PLUNGE
GUIDE BUSHING: 13/16"
BIT: 1/2"

N-P 610B



Do not scale drawings.

Actual cutting dimensions are shown. Template dimensions are adjusted for router Guide-Bit difference. Compare these drawings to manufacturer's template drawings to confirm:

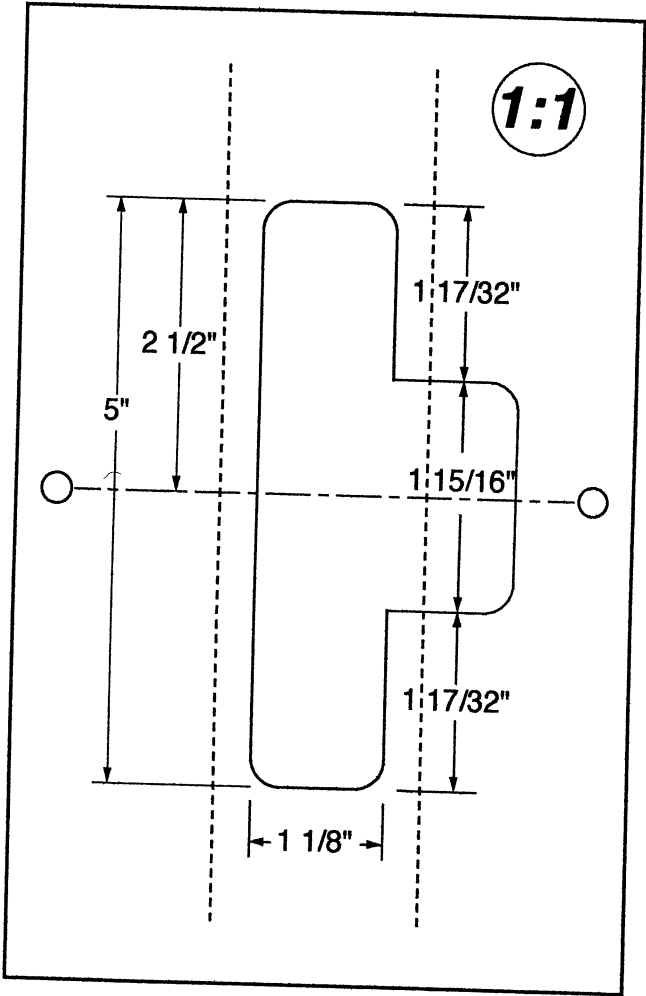
1. which portions of these templates apply;
2. relation of shown centerlines to those in manufacturer's template drawings or hardware;
3. correctness of dimensions.

3-10-99

PIVOTS

ROUTER: PLUNGE
GUIDE BUSHING: 13/16"
BIT: 1/2"

N-P M619



Do not scale drawings.

Actual cutting dimensions are shown. Template dimensions are adjusted for router Guide-Bit difference.

Compare these drawings to manufacturer's template drawings to confirm:

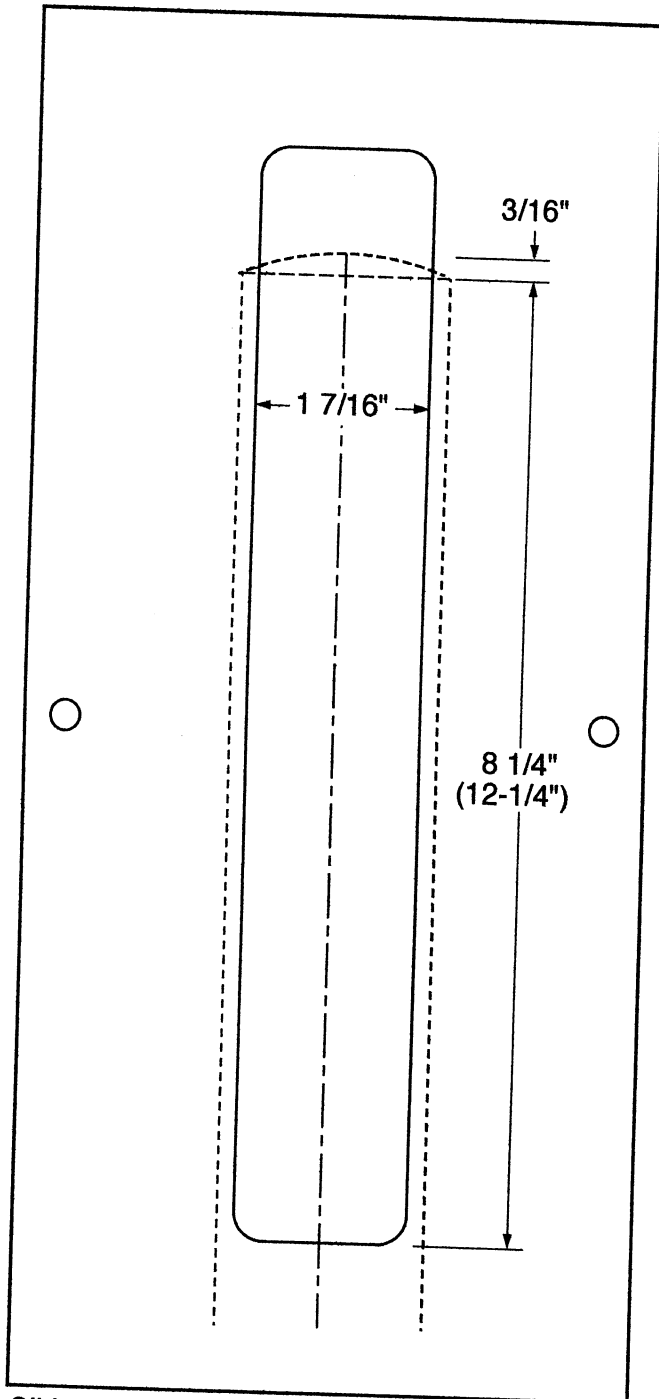
1. which portions of these templates apply;
2. relation of shown centerlines to those in manufacturer's template drawings or hardware;
3. correctness of dimensions.

2-21-01

PIVOTS

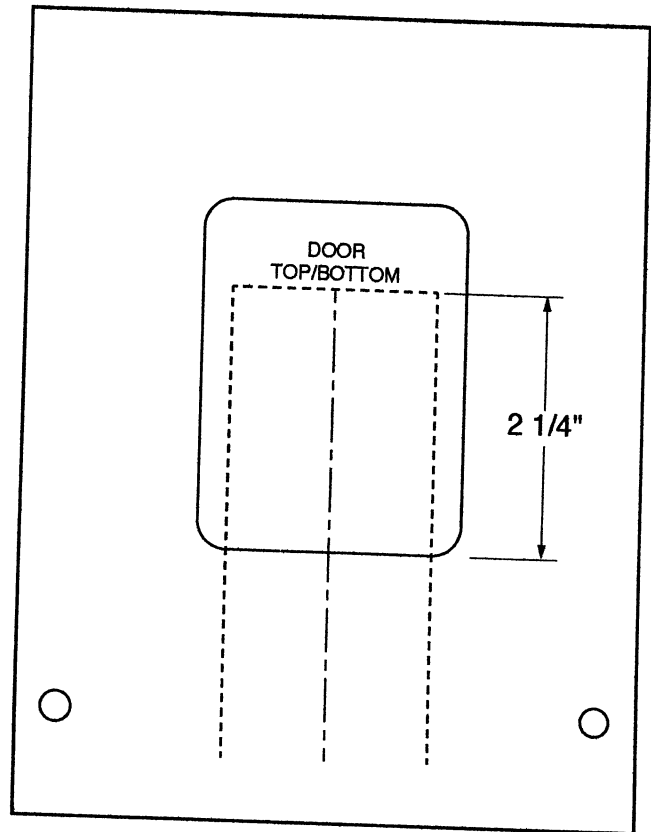
ROUTER: PLUNGE
GUIDE BUSHING: 13/16"
BIT: 1/2"

N-P-700 A



ROUTER: PLUNGE
GUIDE BUSHING: 13/16"
BIT: 1/2"

N-P-700 B



End Caps.
Use Endstop Pin to locate the RTS fixture. In order to remove as little wood as possible from the Fixed Side fence, a small amount of clean up will be necessary at the radius corners.

Slide base 4" to cut full length of 12-1/4".

Do not scale drawings.

Actual cutting dimensions are shown. Template dimensions are adjusted for router Guide-Bit difference.

Compare these drawings to manufacturer's template drawings to confirm:

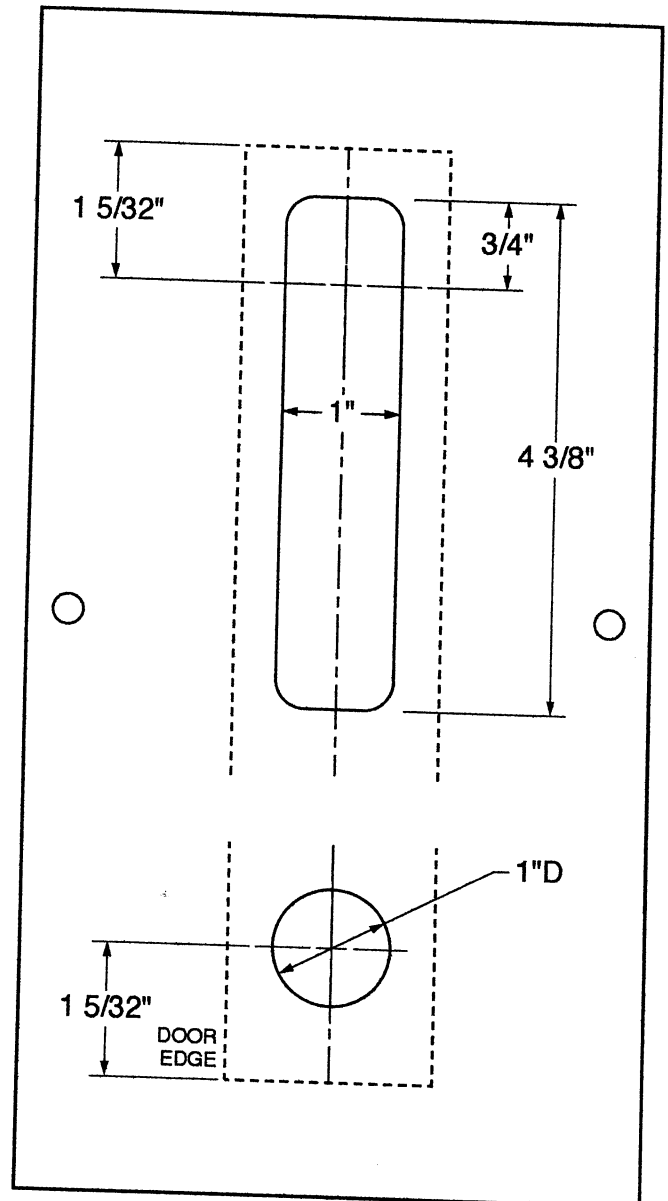
1. which portions of these templates apply;
2. relation of shown centerlines to those in manufacturer's template drawings or hardware;
3. correctness of dimensions.

1-28-98

PIVOTS

ROUTER: PLUNGE
GUIDE BUSHING: 13/16"
BIT: 1/2"

N-P-DAP 3



Note that inset on template is 1 5/32".
Required inset from edge may differ.

Do not scale drawings.

Actual cutting dimensions are shown. Template dimensions are adjusted for router Guide-Bit difference.
Compare these drawings to manufacturer's template drawings to confirm:

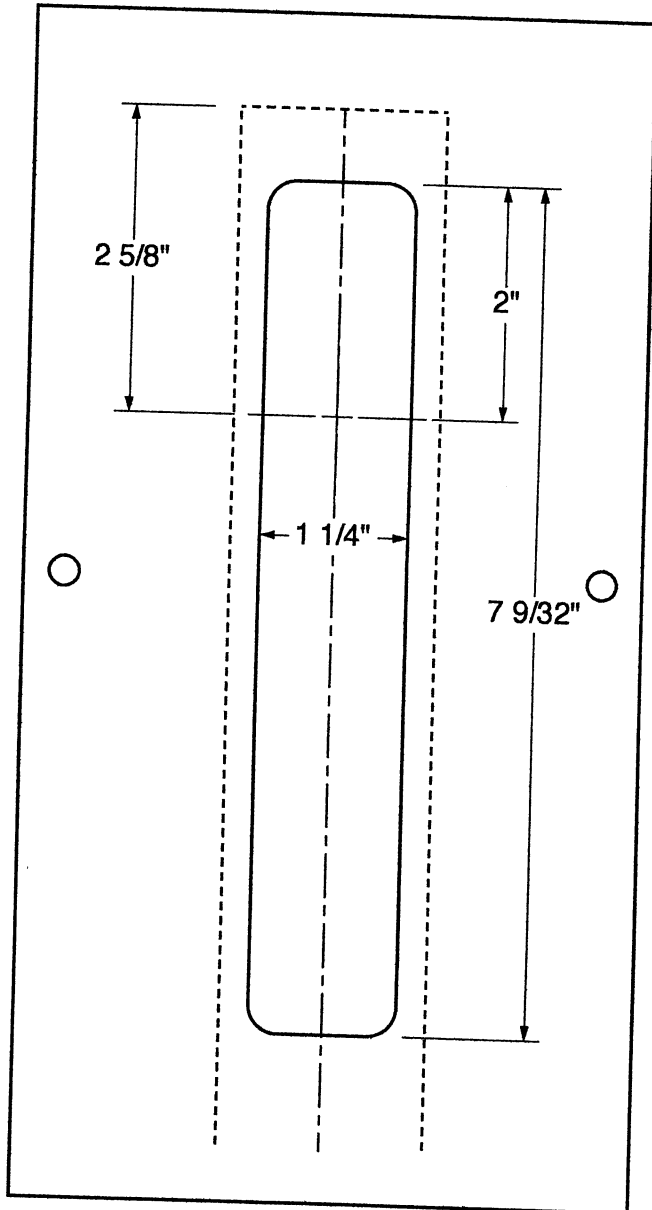
1. which portions of these templates apply;
2. relation of shown centerlines to those in manufacturer's template drawings or hardware;
3. correctness of dimensions.

7-14-95

PIVOTS

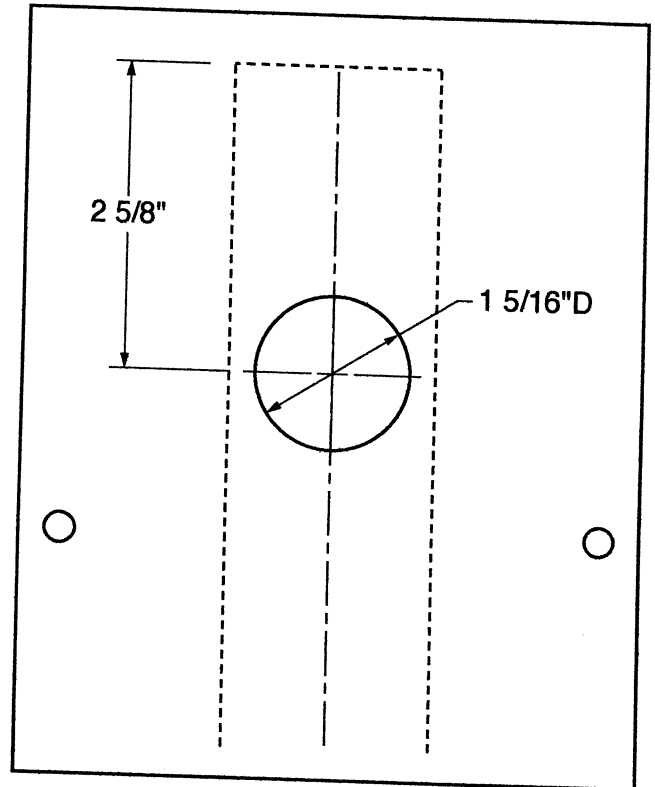
ROUTER: PLUNGE
GUIDE BUSHING: 13/16"
BIT: 1/2"

N-P-H340 A



ROUTER: PLUNGE
GUIDE BUSHING: 13/16"
BIT: 1/2"

N-P-H340 B



Do not scale drawings.

Actual cutting dimensions are shown. Template dimensions are adjusted for router Guide-Bit difference. Compare these drawings to manufacturer's template drawings to confirm:

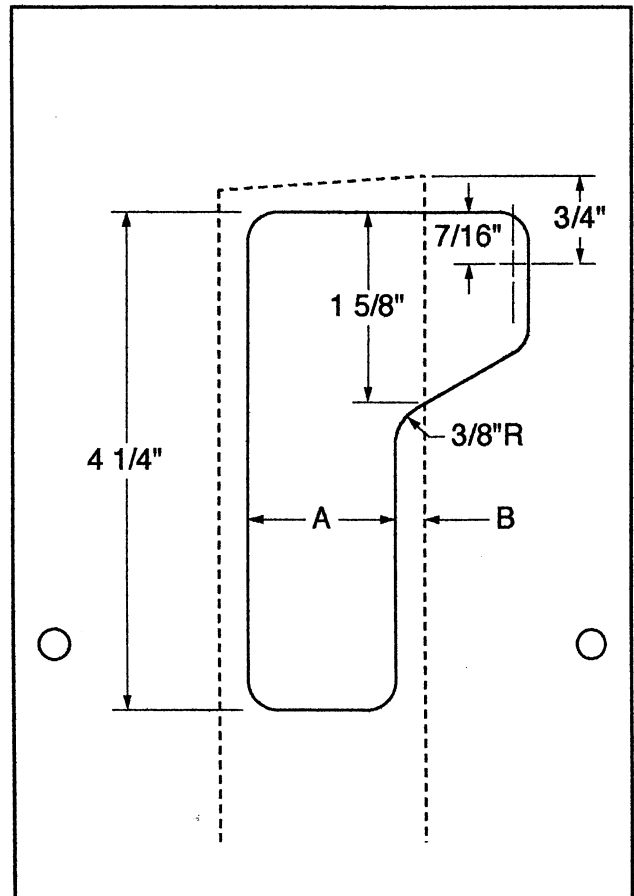
1. which portions of these templates apply;
2. relation of shown centerlines to those in manufacturer's template drawings or hardware;
3. correctness of dimensions.

9-1-93

PIVOTS

ROUTER: PLUNGE
GUIDE BUSHING: 13/16"
BIT: 1/2"

N-P-L180
N-P-L181
N-P-L182



Template	Door Size	A	B
N-P-L180	1 3/4"	1 1/4"	1/4"
N-P-L181	2"	1 3/8"	5/16"
N-P-L182	2 1/4"	1 1/2"	3/8"

Do not scale drawings.

Actual cutting dimensions are shown. Template dimensions are adjusted for router Guide-Bit difference.

Compare these drawings to manufacturer's template drawings to confirm:

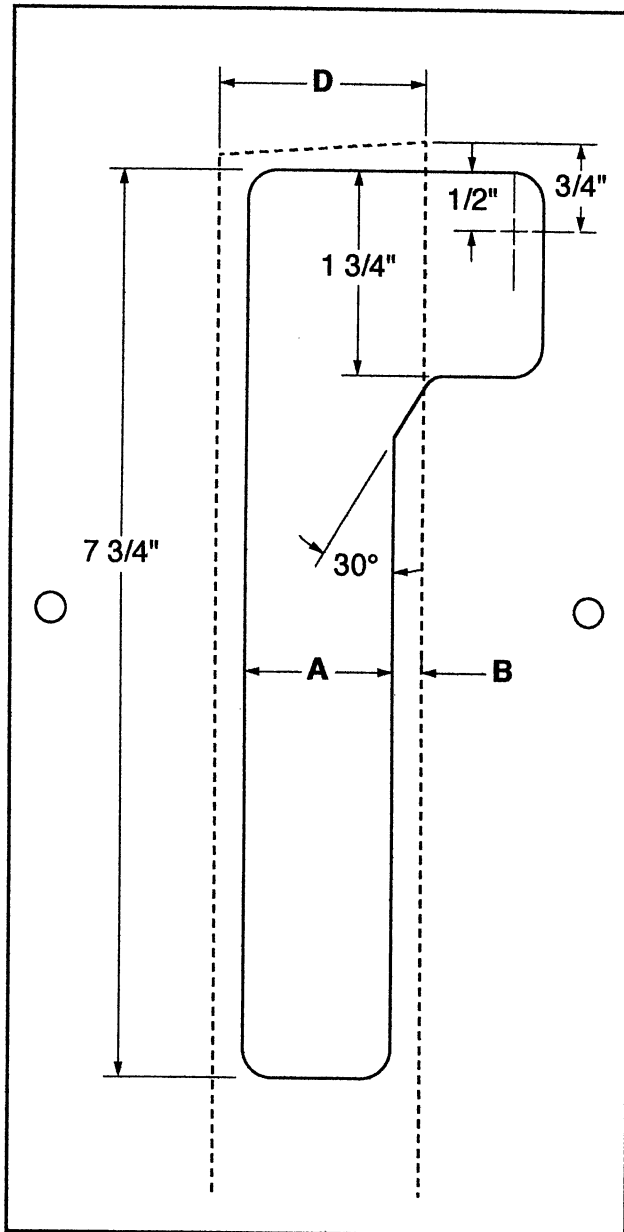
1. which portions of these templates apply;
2. relation of shown centerlines to those in manufacturer's template drawings or hardware;
3. correctness of dimensions.

7-14-95

PIVOTS

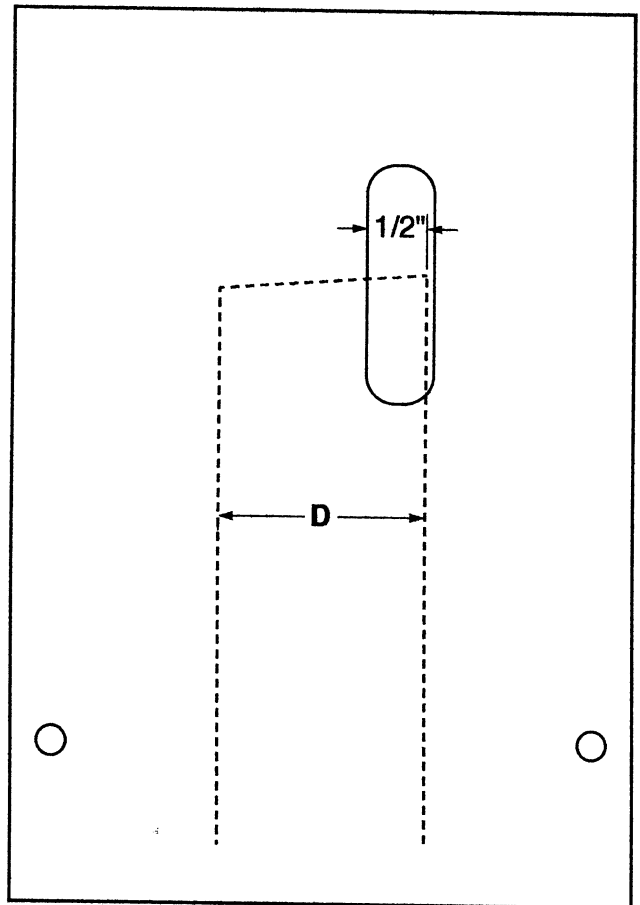
ROUTER: PLUNGE
GUIDE BUSHING: 13/16"
BIT: 1/2"

N-P-L301A
N-P-L302A
N-P-L303A



ROUTER: PLUNGE
GUIDE BUSHING: 13/16"
BIT: 1/2"

N-P-L301B
N-P-L302B
N-P-L303B



Template	D
N-PL 301B	1 3/4"
N-PL 302B	2"
N-PL 303B	2 1/4"

Template	D	A	B
N-P-L301A	1 3/4"	1 1/4"	1/4"
N-P-L302A	2"	1 3/8"	5/16"
N-P-L303A	2 1/4"	1 1/2"	3/8"

Do not scale drawings.

Actual cutting dimensions are shown. Template dimensions are adjusted for router Guide-Bit difference.

Compare these drawings to manufacturer's template drawings to confirm:

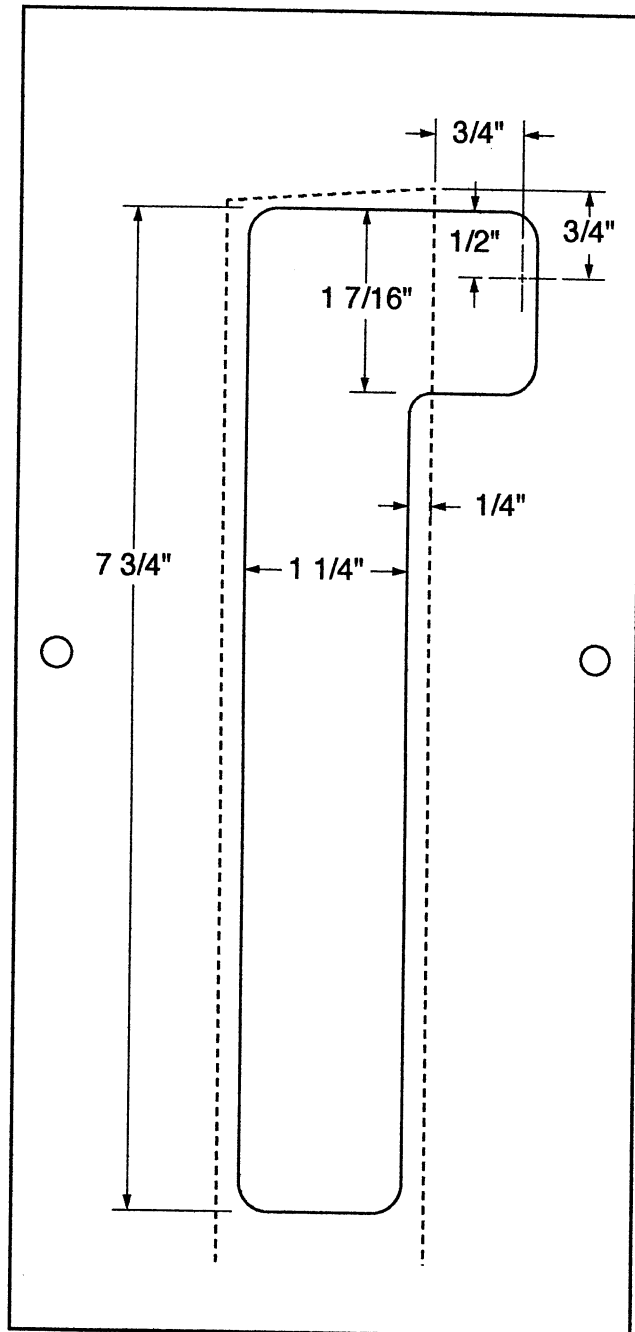
1. which portions of these templates apply;
2. relation of shown centerlines to those in manufacturer's template drawings or hardware;
3. correctness of dimensions.

7-14-95

PIVOTS

ROUTER: PLUNGE
GUIDE BUSHING: 13/16"
BIT: 1/2"

N-P L304



Do not scale drawings.

Actual cutting dimensions are shown. Template dimensions are adjusted for router Guide-Bit difference. Compare these drawings to manufacturer's template drawings to confirm:

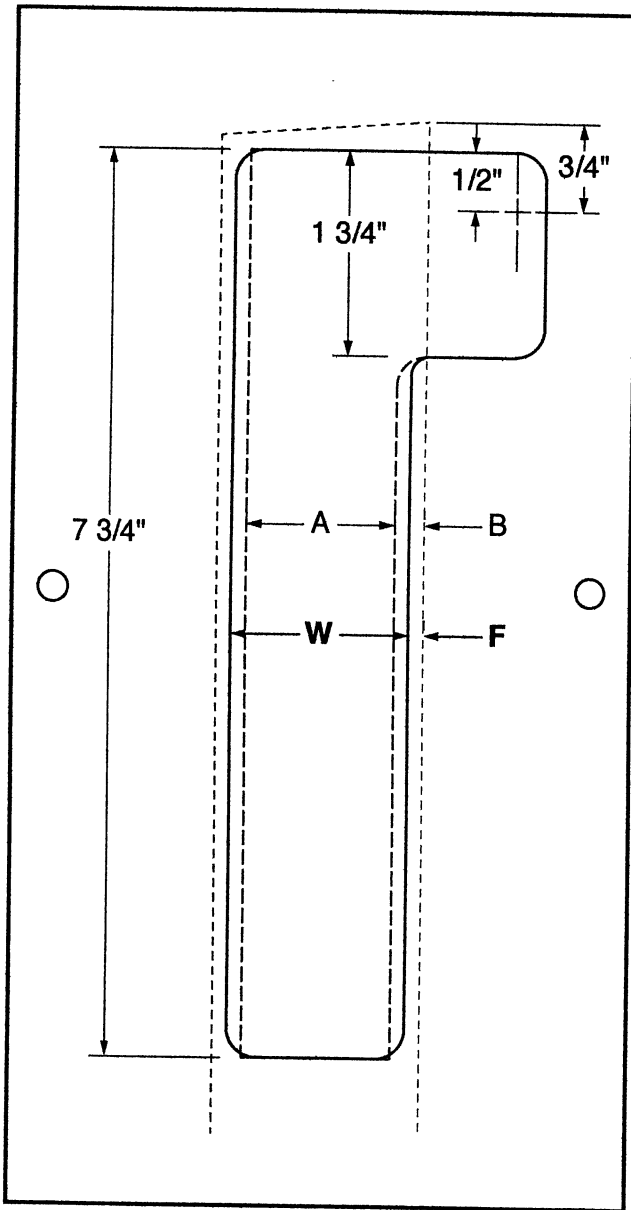
1. which portions of these templates apply;
2. relation of shown centerlines to those in manufacturer's template drawings or hardware;
3. correctness of dimensions.

9-27-96

PIVOTS

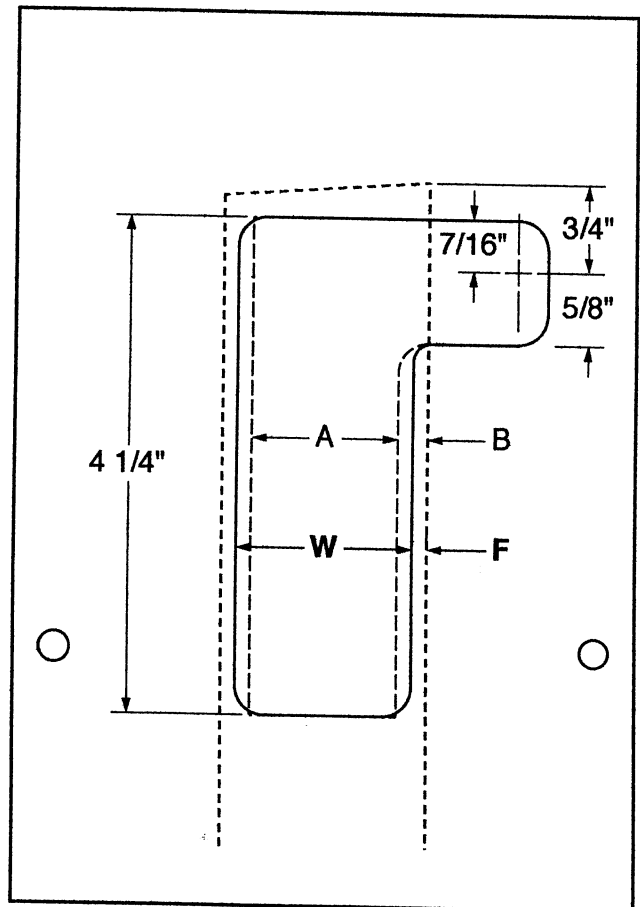
ROUTER: PLUNGE
GUIDE BUSHING: 13/16"
BIT: 1/2"

N-P-L311
N-P-L312
N-P-L313



ROUTER: PLUNGE
GUIDE BUSHING: 13/16"
BIT: 1/2"

N-P-L314
N-P-L315
N-P-L316



Template				Door Width	Hardware	
Number		W	F		A	B
N-P-L311	N-P-L314	1 1/2"	1/8"	1 3/4"	1 1/4"	1/4"
N-P-L312	N-P-L315	1 5/8"	3/16"	2"	1 3/8"	5/16"
N-P-L313	N-P-L316	1 3/4"	1/4"	2 1/4"	1 1/2"	3/8"

Template Width 'W' and Frontset 'F' allow for 1/8" lead on each side of the hinge.

Do not scale drawings.
Actual cutting dimensions are shown. Template dimensions are adjusted for router Guide-Bit difference.
Compare these drawings to manufacturer's template drawings to confirm:

1. which portions of these templates apply;
2. relation of shown centerlines to those in manufacturer's template drawings or hardware;
3. correctness of dimensions.

7-14-95

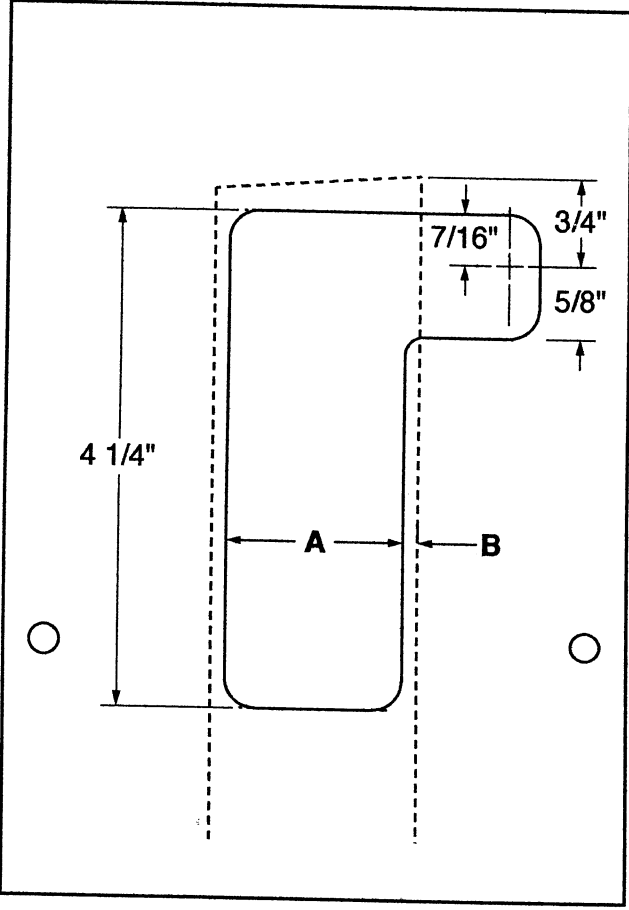
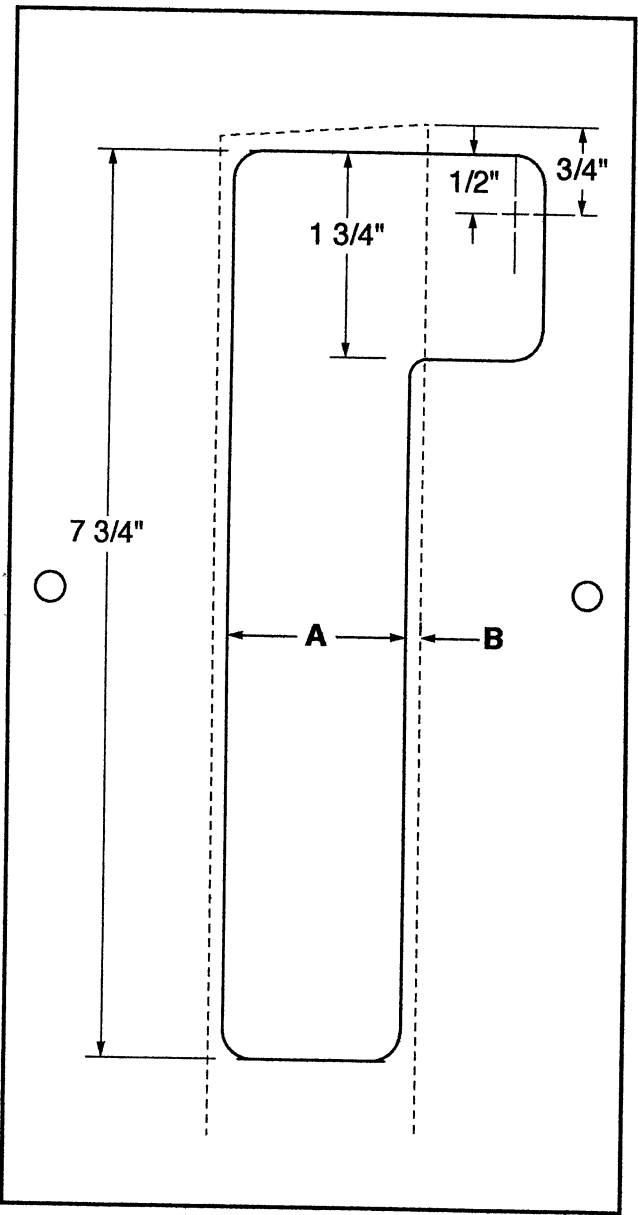
PIVOTS

ROUTER: PLUNGE
GUIDE BUSHING: 13/16"
BIT: 1/2"

N-P-L321
N-P-L322
N-P-L323

ROUTER: PLUNGE
GUIDE BUSHING: 13/16"
BIT: 1/2"

N-P-L324
N-P-L325
N-P-L326



Template Number		Door Width	Hardware	
			A	B
N-P-L321	N-P-L324	1 3/4"	1 1/4"	1/4"
N-P-L322	N-P-L325	2"	1 3/8"	5/16"
N-P-L323	N-P-L326	2 1/4"	1 1/2"	3/8"

Do not scale drawings.

Actual cutting dimensions are shown. Template dimensions are adjusted for router Guide-Bit difference. Compare these drawings to manufacturer's template drawings to confirm:

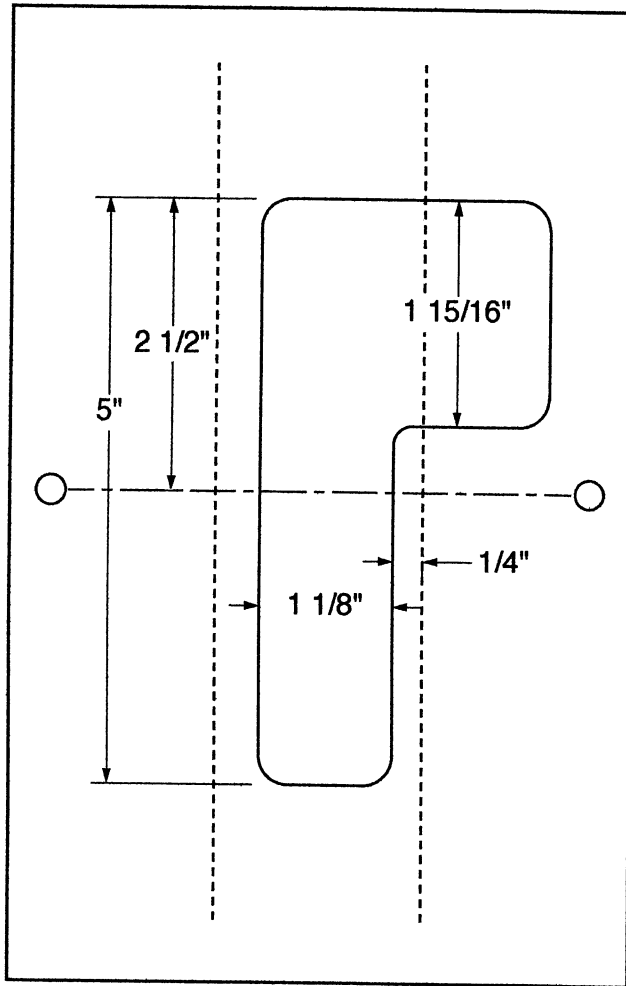
1. which portions of these templates apply;
2. relation of shown centerlines to those in manufacturer's template drawings or hardware;
3. correctness of dimensions.

1-25-96

PIVOTS

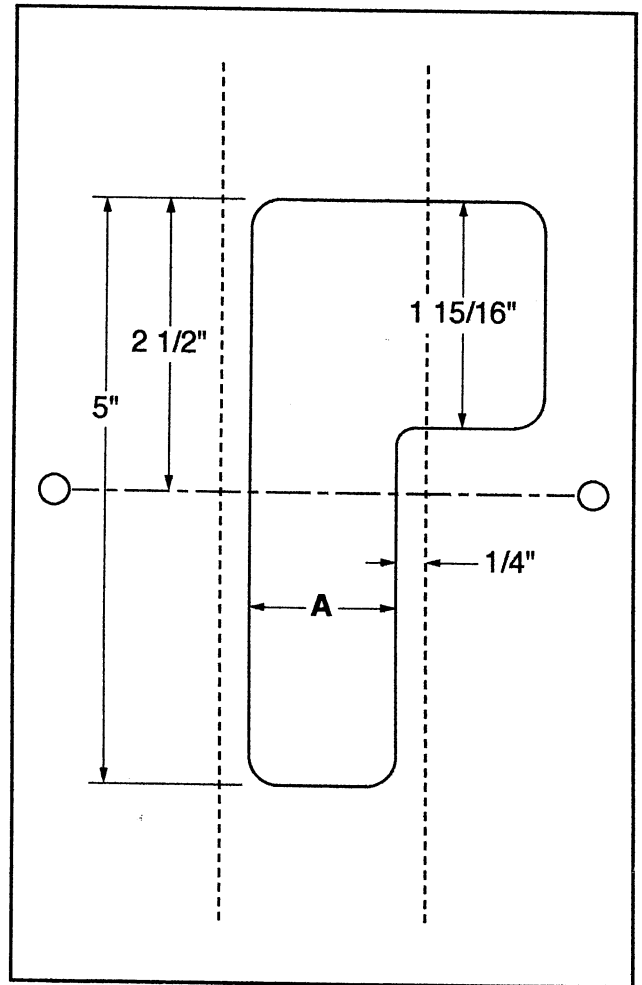
ROUTER: PLUNGE
GUIDE BUSHING: 13/16"
BIT: 1/2"

N-P M19
N-P M20
N-P M21



ROUTER: PLUNGE
GUIDE BUSHING: 13/16"
BIT: 1/2"

N-P ML19
N-P ML20
N-P ML21



Template	Door Size
N-P 311	1-3/4"
N-P 313	2"
N-P 314	2-1/4"

Template	Door Size	A
N-P-ML19	1 3/4"	1 1/4"
N-P-ML20	2"	1 1/2"
N-P-ML21	2 1/4"	1 3/4"

Do not scale drawings.

Actual cutting dimensions are shown. Template dimensions are adjusted for router Guide-Bit difference. Compare these drawings to manufacturer's template drawings to confirm:

1. which portions of these templates apply;
2. relation of shown centerlines to those in manufacturer's template drawings or hardware;
3. correctness of dimensions.

7-14-95